

SR 26-TW

gas-cooled

Different modular switch
units available:
single push-button
double push-button
up/down (4 push-buttons)
single push-button
with potentiometer



SR 26F-TW

gas-cooled



SR 26V-TW

gas-cooled



SR 26FV-TW

gas-cooled

240 Amp./100% duty cycle (DC)
200 Amp./100% duty cycle (AC)

SR 26-TW / SR 26F-TW / SR 26V-TW / SR 26FV-TW

gas-cooled

Equipment: **A** standard
B gas lens
D gas lens jumbo
E gas lens mini
F standard mini



O-ring red ID8-W2 mm included
17189001

Back cap
gasket ring
17289001

Insulator
17289021

Kir Royal argon nozzle
fits equipment line E



with firmly built-in sieves
for perfect gas circulation

A

B

D

E

F

Gas lens insulator
17089021

Gas lens insulator Jumbo
17089031

Collet L50mm
17□□5002 for 1,0/1,6/2,4
18□□5002 for 3,2/4,0
□□ Please fill in size

Collet L50mm
17□□5002 for 1,0/1,6/2,4
18□□5002 for 3,2/4,0
□□ Please fill in size

Collet L50mm
17□□5002 for 1,0/1,6/2,4
18□□5002 for 3,2/4,0
□□ Please fill in size

Collet L29mm
17□□3002 for 1,0/1,6/2,4
18323002 for 3,2
□□ Please fill in size

Collet L29mm
17□□3002 for 1,0/1,6/2,4
18323002 for 3,2
□□ Please fill in size

Collet body
1796□□02 for 1,0/1,6/2,4
1896□□02 for 3,2/4,0
□□ Please fill in size

Gas lens
1796□□11 for 1,0/1,6/2,4
1896□□11 for 3,2/4,0
□□ Please fill in size

Gas lens jumbo
1796□□21 for 1,0/1,6/2,4
1896□□21 for 3,2/4,0
□□ Please fill in size

Gas lens mini
1796□□31 for 1,0/1,6/2,4
18963231 for 3,2
□□ Please fill in size

Collet body mini
1796□□03 for 1,0/1,6/2,4
18963203 for 3,2
□□ Please fill in size

Ceramic nozzle L47mm
for standard collet body
Please state size
Also available in
special length L76mm

Ceramic nozzle L42mm
for gas lens
Please state size
Also available in
special length L76mm

Ceramic nozzle L 48mm
for gas lens jumbo
Please state size

Ceramic nozzle L20mm
for gas lens mini
Please state size

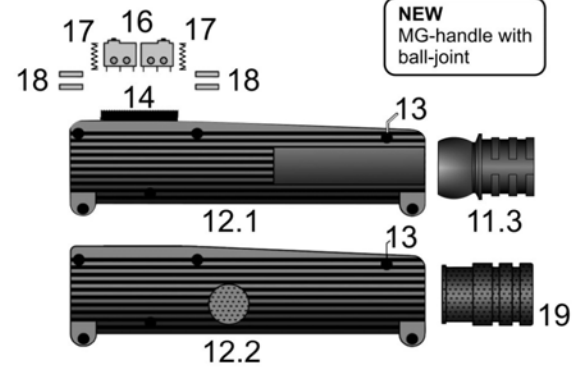
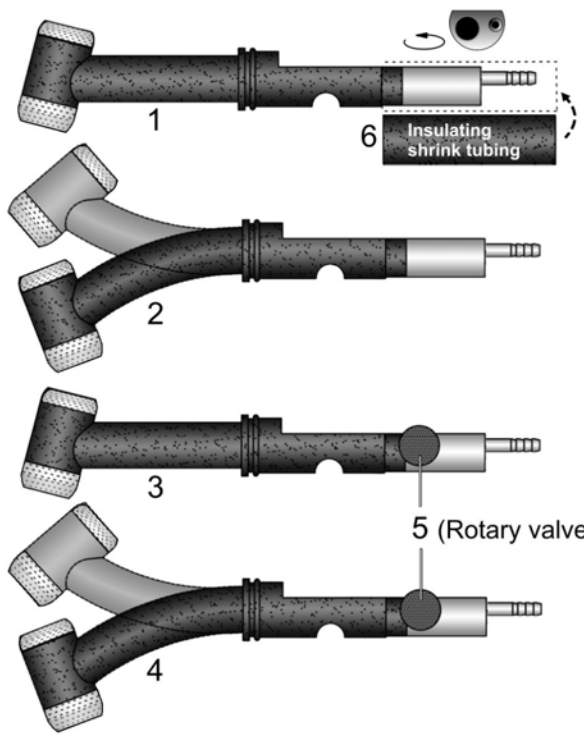
Ceramic nozzle L30mm
for standard collet body mini
Please state size
Also available in special lengths
L48mm / L63mm / L89mm

HSN 735-2

SR 26-TW gas-cooled

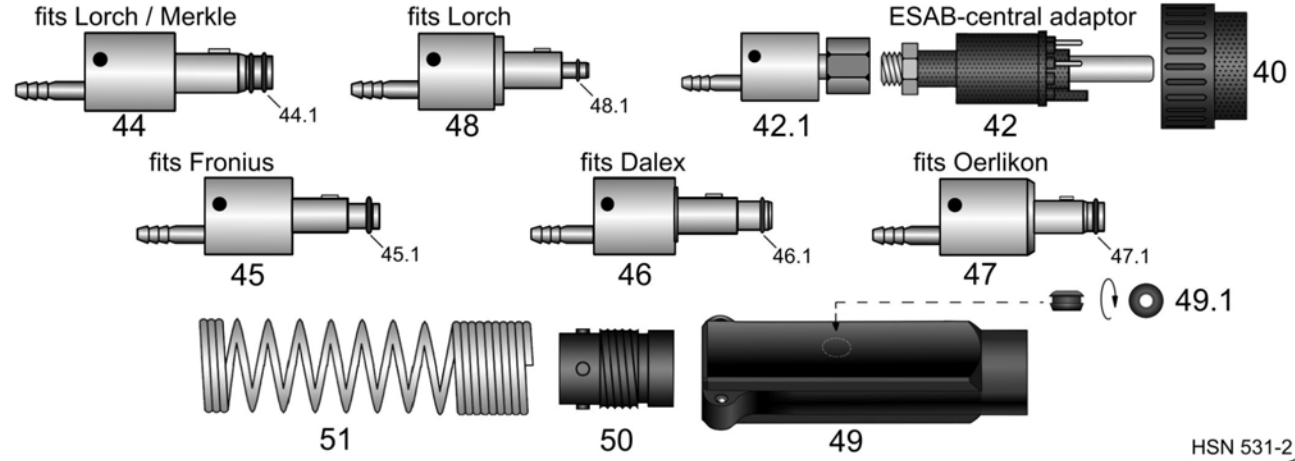
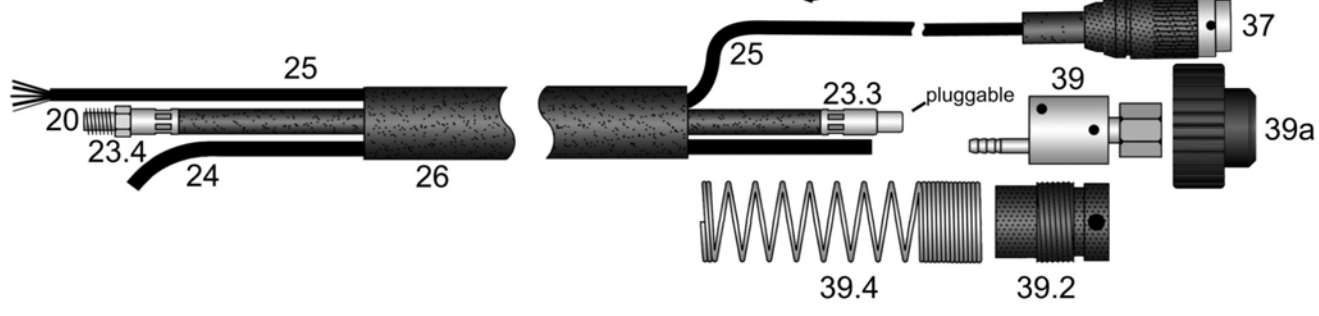
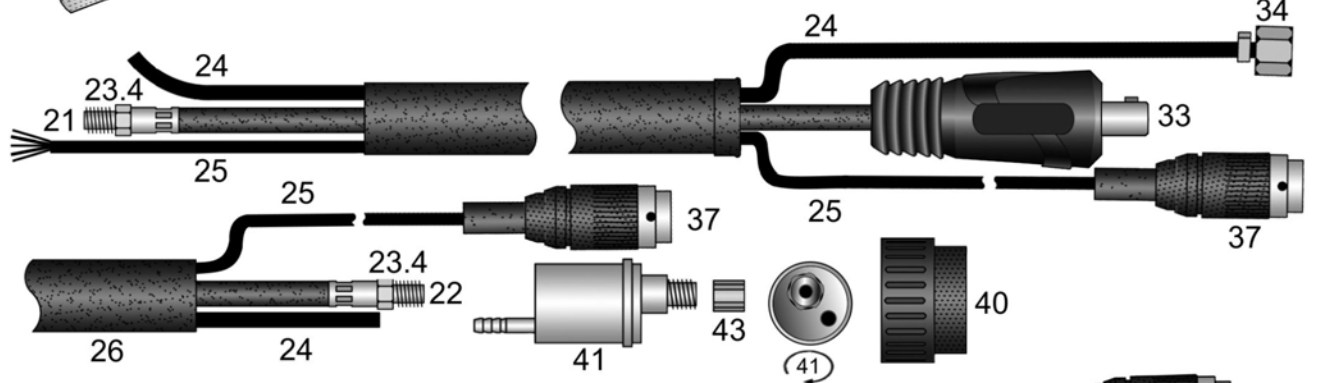
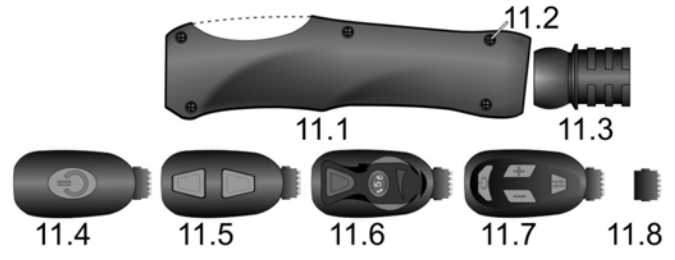


240 Ampere at 100% duty cycle (DC) - 200 Ampere at 100% duty cycle (AC)



NEW
MG-handle with ball-joint

Forma WIG-handle with ball joint - different modular switch units - special switching modules on request

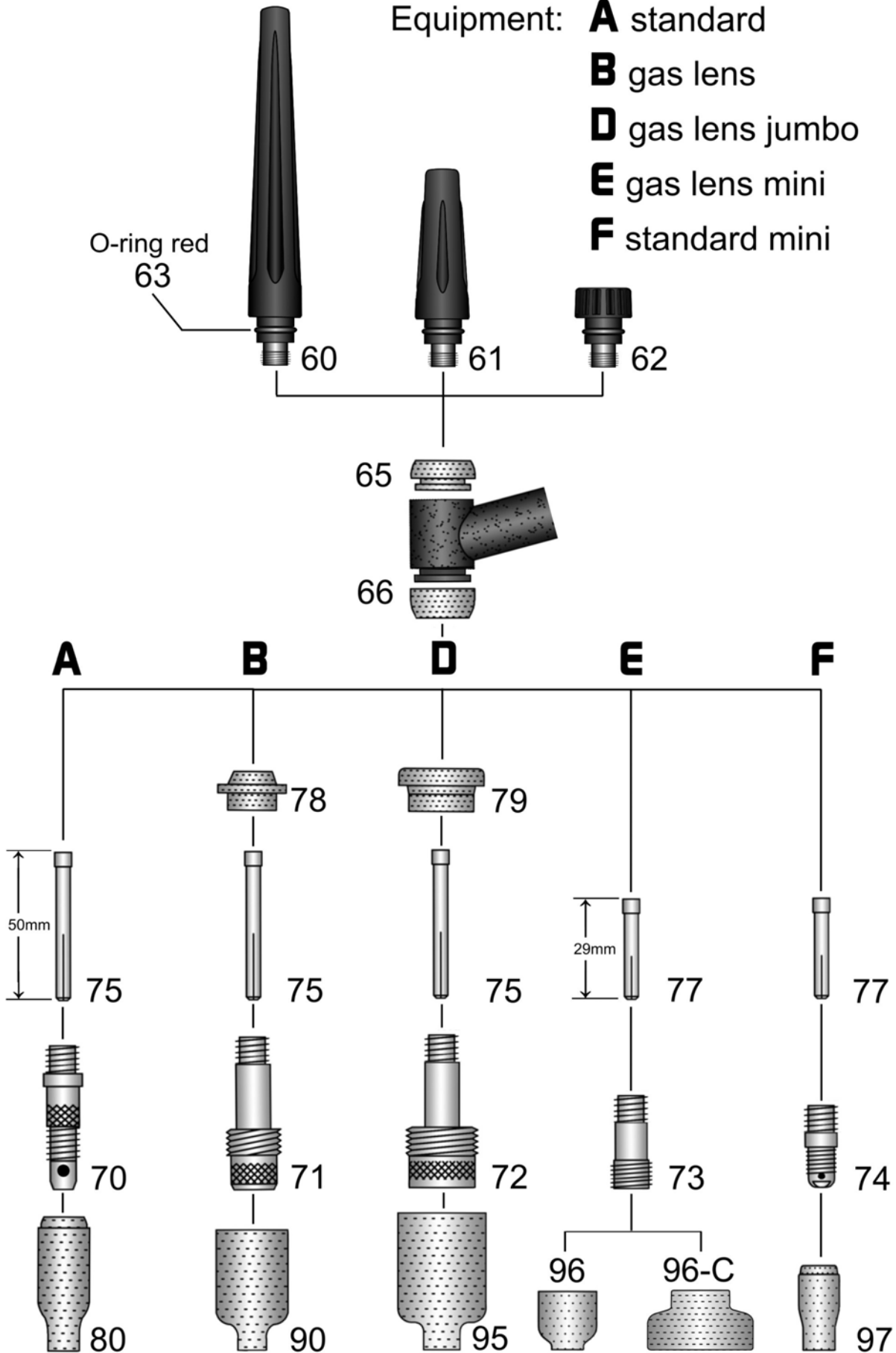


HSN 531-2

SR 26-TW gas-cooled spare parts



Equipment: **A** standard
B gas lens
D gas lens jumbo
E gas lens mini
F standard mini



HSN 113-2

SR 26-TW

Welding-torch TIG gas-cooled

240A at 100% duty cycle (DC) - 200A at 100% duty cycle (AC)

Art.-No.

Torches with first meter leather hose. Machine side separate connections.

Torches and cable assemblies can be produced in excess lengths. Please find the different options and surcharges in the attachment "Custom made products" appendix C. We produce torches for more than 40 different brands of machines with different connection systems.

26600401 Torch SR 26-TW / 4m 35mm²

26600801 Torch SR 26-TW / 8m 35mm²

26700401 FLEX-torch SR 26F-TW / 4m 35mm² neck flexible

26700801 FLEX-torch SR 26F-TW / 8m 35mm² neck flexible

26800401 Valve torch SR 26V-TW / 4m 35mm²

26800801 Valve torch SR 26V-TW / 8m 35mm²

26900401 FLEX-Valve torch SR 26FV-TW / 4m 35mm² neck flexible

26900801 FLEX-Valve torch SR 26FV-TW / 8m 35mm² neck flexible

TIG-spares cable assemblies in different qualities, machine side with separate connections and Tuchel plug, or, if ordered so, with the following connection systems:

wig92401 TIG-spares cable assembly gas-cooled 4m - please state desired design!

wig92801 TIG-spares cable assembly gas-cooled 8m - please state desired design!

The following surcharges for machine side connections are only to find prices quickly. Please use our catalogue "TIG machine side connections" to find a "T" number which identifies a machine side connection system completely.

29000101 Surcharge: machine side with EURO central adapter

29002005 Surcharge: machine side power/gas plug fits Lorch/Merkle with 2 O-rings

29002004 Surcharge: machine side power/gas plug fits Fronius with 1 O-ring

29002006 Surcharge: machine side power/gas plug fits Dalex with 1 O-ring

29002107 Surcharge: machine side power/gas plug fits Oerlikon with 1 O-ring

29002002 Surcharge: machine side power/gas plug fits Lorch SK35 + gas-nipple

29000112 Surcharge: machine side fits ESAB central adapter, 4 pins installed at position 3,4,5,6

Please note that there might be additional charges for special control line plugs. See appendix D.

1 26691001 Torch body SR 26-TW

2 26791001 Torch body SR 26F-TW neck flexible (FLEX)

3 26891001 Torch body with valve SR 26V-TW

4 26991001 Torch body with valve SR 26FV-TW neck flexible (FLEX)

5 90789001 Rotary valve TW complete with O-rings

N.i. 17389013 O-ring ID3-W1,5mm fits rotary valve TW inside (material hepthon 951)

N.i. 17389012 O-ring ID4,6-W2mm fits rotary valve TW outside (material hepthon 951)

6 18050002 Ignition insulating hose L75mm / ID32mm down to ID16mm

11.1 91914601 Forma TIG handle with screws, ball joint, without modular switch unit

11.2 91914602 Forma screw for handle

11.3 91914603 Forma hose bracket with ball joint ID21,5mm (also fits MG-handle)

11.4 91914611 Forma modular switch unit: 1 button with connecting adapter

11.5 91914621 Forma modular switch unit: 2 buttons with connecting adapter

11.6 91914631 Forma modular switch unit: 1 button + potentiometer (10k) with connecting adapter

11.7 91914641 Forma modular switch unit: 2 buttons + up/down (4 switches) with connecting adapter

11.8 91914651 Forma connecting adapter fits control line to modular switch unit

SR 26-TW

Welding-torch TIG gas-cooled

240A at 100% duty cycle (DC) - 200A at 100% duty cycle (AC)

Art.-No.		
N.i.	91914661	Forma switch module safety nipple
N.i.	91914671	TW-steadying adapter, anti turn locking for TW-torch bodies
12.1	91914061	MG-handle with ball joint, push-button, 2 return springs, 2 microswitches and 4 cylindrical pins
12.2	91914033	MG-handle fits TW valve torch
13	91914421	MG-tapping screw
14	91915002	MG-push button
16	91914121	MG-microswitch
17	91914221	MG-return spring
18	91914321	MG-cylindrical pin
19	91915001	MG-hose bracket without ball joint ID19,5mm
20	26942403	Power cable 35mm ² 26/220-TW / 4m fits power/gas plugs + power gas junction (pgj)
20	26942803	Power cable 35mm ² 26/220-TW / 8m fits power/gas plugs + power gas junction (pgj)
21	26942402	Power cable 35mm ² 26/220-TW / 4m with SK25 or SK35 <--- please state!
21	26942802	Power cable 35mm ² 26/220-TW / 8m with SK25 or SK35 <--- please state!
22	26942404	Power cable 35mm ² 26/220-TW / 4m EURO fits central adapter (OT-M10x1)
22	26942804	Power cable 35mm ² 26/220-TW / 8m EURO fits central adapter (OT-M10x1)
23.3	22089057	TIG-Power cable connector pluggable ID8,2mm fits 35mm ²
23.4	22089054	TIG-Power cable connector OT-M10x1 ID8,2mm fits 35mm ²
Reel goods: Prices are per meter and only applicable for purchasing of complete rolls		
24	41500001	Meter ST 70 PVC hose ID4,0-W1,5mm black for gas (100m)
24	41500005	Meter HT 130 TPE hose ID4,0-W1,5mm grey for gas (100m)
N.i.	91902701	Meter control line 3x0,34mm ² shielded black (100m)
N.i.	91902711	Meter control line 3x0,5mm ² green (100m)
25	91902721	Meter control line 5x0,25mm ² grey (100m)
26	22150002	Meter neoprene protective hose ID22mm black (40m)
N.i.	91915004	Leather protective hose ID22mm / 1 meter long
N.i.	91915007	Leather protective hose ID22mm / 1 meter long with ball joint and hose connector
N.i.	91915013	Hose connector leather protective hose / protection hose ID22,5mm (black) with slot, OD with grooves
33	91918201	Powercable-plug SK-25 bayonet connection AD8mm
33	91918301	Powercable-plug SK-35 bayonet connection AD13mm
34	91901501	Coupling nut IT-G1/4"
N.i.	91901211	Hose connector 4mm fits coupling nut R1/4"
37	91904101	Plug 3-poles Tuchel with bayonet-catch
37	91904111	Plug 5-poles Tuchel with bayonet-catch
More control line plugs see appendix D		
39	91918521	TIG power gas junction (pgj) with connection: IT-G1/8"
39	91918522	TIG power gas junction (pgj) with connection: IT-G1/4"
39	91918523	TIG power gas junction (pgj) with connection: IT-G3/8"
39a	91903503	Insulating sleeve with inner hexagonal shape A/F17 for TIG power-connection IT-G1/4"
N.i.	91918551	Attachment screw (plastic) M5x12mm for power gas junction (pgj)
N.i.	91918552	3 grommets for attachment screws M5x12mm power gas junction (pgj)

SR 26-TW

Welding-torch TIG gas-cooled

240A at 100% duty cycle (DC) - 200A at 100% duty cycle (AC)

Art.-No.		
N.i.	91918542	Section of insulating hose ID35-L80mm power gas junction (pgj)
39.2	91918541	TIG spring socket small (without knobs)
39.4	91918531	Cable support spring L125mm for power gas junction (pgj)
40	91900701	Terminal nut insulated fits EURO central adapter
41	91900122	TIG central adapter EURO (fits separate lines)
42	91900301	TIG central adapter identical ESAB, 4 contact pins at position 3,4,5,6
42.1	91918561	TIG power gas junction (pgj) fits ESAB central adapter
43	91900901	Swivel nut IT-M10x1 (rounded edges) fits EURO central adapter
44	9190411n	Power/gas plug fits Lorch / Merkle with 2 O-rings / power connection like pgj
44.1	81600001	O-ring ID8-W1,6mm fits Lorch/Merkle
45	91918326	Power/gas plug fits Fronius with 1 O-ring / power connection like pgj
45.1	62190001	O-ring ID6,2-W1,9mm fits Fronius
46	9190416e	Power/gas plug fits Dalex with 1 O-ring / power connection like pgj
46.1	63240001	O-ring ID6,3-W2,4mm fits Dalex
47	9190422n	Power/gas plug fits Oerlikon with 1 O-ring / power connection like pgj
47.1	60717801	O-ring ID6,07-W1,78mm fits Oerlikon
48	9190421n	Power/gas plug fits Lorch Sk35 + gas-nipple / power connection like pgj
48.1	91900801	O-ring ID4-W1mm fits gas-nipple EURO central adapter
N.i.	91900552	TIG cable support long (like MIG-MAG) with screws fits ESAB central adapter
N.i.	91900554	Attachment screw M4x8mm fits ESAB central adapter
49	91900556	TIG cable support short with screws (fits gas-cooled)
N.i.	91920702	Screw M3x11,5mm fits Ratio/Industry/RAUCH handle and cable support
N.i.	91920703	M3 mounting socket fits Ratio/Industry/RAUCH handle and cable support
o.A.	91900602	Screw M4x6mm fits TIG cable support short
49.1	91901012	Reduction-eyelet (rubber) from ID10,5mm to ID5mm fits TIG cable support short
50	91912801	Spring-socket fits cable support
51	91912601	Cable support spring
60	17191311	Holch back cap long (USA version with red O-ring) SR 17-18-26 57Y02
61	17191321	Holch back cap medium (USA version with red O-ring) SR 17-18-26 57Y03
62	17191301	Holch back cap short (USA version with red O-ring) SR 17-18-26 57Y04
63	17189001	O-ring red ID8-W2mm for back cap
65	17289001	PTFE-back-cap gasket ring SR 17-18-26 18-7
66	17289021	PTFE-isolator SR 17-18-26 18CG
70	17961002	Collet body 17-18-26-220 / 1,0 10N30
70	17961602	Collet body 17-18-26-220 / 1,6 10N31
70	17962402	Collet body 17-18-26-220 / 2,4 10N32
70	18963202	Collet body 17-18-26-220 / 3,2 10N28
71	17961011	Gas lens 17-18-26-220 / 1,0 45V24
71	17961611	Gas lens 17-18-26-220 / 1,6 45V25
71	17962411	Gas lens 17-18-26-220 / 2,4 45V26
71	18963211	Gas lens 17-18-26-220 / 3,2 45V27
72	17961021	Jumbo-Gas lens 17-18-26-220 / 1,0 45V0204
72	17961621	Jumbo-Gas lens 17-18-26-220 / 1,6 45V116
72	17962421	Jumbo-Gas lens 17-18-26-220 / 2,4 45V64
72	18963221	Jumbo-Gas lens 17-18-26-220 / 3,2 995795

SR 26-TW

Welding-torch TIG gas-cooled

240A at 100% duty cycle (DC) - 200A at 100% duty cycle (AC)

Art.-No.		
73	17961031	Gas lens "Mini" SR 17-18-26 / 1,0 conversion kit
73	17961631	Gas lens "Mini" SR 17-18-26 / 1,6 conversion kit
73	17962431	Gas lens "Mini" SR 17-18-26 / 2,4 conversion kit
73	18963231	Gas lens "Mini" SR 17-18-26 / 3,2 conversion kit
Brazen collets L-50mm suitable equipment line (A) standard collet body suitable equipment line (B) gas lens suitable equipment line (D) gas lens jumbo		
74	18961003	Collet body "Mini" SR 17-18-26 1,0 conversion kit
74	18961603	Collet body "Mini" SR 17-18-26 1,6 conversion kit
74	18962403	Collet body "Mini" SR 17-18-26 2,4 conversion kit
74	18963203	Collet body "Mini" SR 17-18-26 / 1,0 - 3,2 17CB20 conversion kit
Copper-collets L-29mm suitable equipment line (E) gas lens mini suitable equipment line (F) standard collet body mini		
75	17105002	Collet L50mm SR 17-18-26 wp-18SC / 1,0 10N22
75	17165002	Collet L50mm SR 17-18-26 wp-18SC / 1,6 10N23
75	17245002	Collet L50mm SR 17-18-26 wp-18SC / 2,4 10N24
75	18325002	Collet L50mm SR 17-18-26 wp-18SC / 3,2 10N25
Ceramic gas nozzles in different lengths suitable equipment line (A) standard collet body		
77	17103002	Collet L29mm SR 17-18-26 "Mini" 1,0 10N22S
77	17163002	Collet L29mm SR 17-18-26 "Mini" 1,6 10N23S
77	17243002	Collet L29mm SR 17-18-26 "Mini" 2,4 10N24S
77	18323002	Collet L29mm SR 17-18-26 "Mini" 3,2 10N25S
78	17089021	PTFE-Gas-lens insulator 17-18-26-220 54N01
79	17089031	PTFE-Gas-lens insulator Jumbo 17-18-26-220 54N63
Ceramic gas nozzles in different lengths suitable equipment line (B) gas lens		
80	17930401	Ceramic gas nozzle L47mm 17-18-26-220 / Gr.4 10N50 (pu= 10pieces)
80	17930501	Ceramic gas nozzle L47mm 17-18-26-220 / Gr.5 10N49 (pu= 10pieces)
80	17930601	Ceramic gas nozzle L47mm 17-18-26-220 / Gr.6 10N48 (pu= 10pieces)
80	17930701	Ceramic gas nozzle L47mm 17-18-26-220 / Gr.7 10N47 (pu= 10pieces)
80	17930801	Ceramic gas nozzle L47mm 17-18-26-220 / Gr.8 10N46 (pu= 10pieces)
80	17930101	Ceramic gas nozzle L47mm 17-18-26-220 / Gr.10 10N45 (pu= 10pieces)
80	17930121	Ceramic gas nozzle L47mm 17-18-26-220 / Gr.12 10N44 (pu= 10pieces)
N.i.	17930404	Ceramic gas nozzle L76mm 17-18-26-220 / Gr.4 10N50L (pu= 10pieces)
N.i.	17930504	Ceramic gas nozzle L76mm 17-18-26-220 / Gr.5 10N49L (pu= 10pieces)
N.i.	17930604	Ceramic gas nozzle L76mm 17-18-26-220 / Gr.6 10N48L (pu= 10pieces)
N.i.	17930704	Ceramic gas nozzle L76mm 17-18-26-220 / Gr.7 10N47L (pu= 10pieces)
Ceramic gas nozzles in different lengths suitable equipment line (B) gas lens		
90	22093041	Gas nozzle for gas lens L42mm / Gr.4 54N18 (pu= 10pieces)
90	22093051	Gas nozzle for gas lens L42mm / Gr.5 54N17 (pu= 10pieces)
90	22093061	Gas nozzle for gas lens L42mm / Gr.6 54N16 (pu= 10pieces)
90	22093071	Gas nozzle for gas lens L42mm / Gr.7 54N15 (pu= 10pieces)
90	22093081	Gas nozzle for gas lens L42mm / Gr.8 54N14 (pu= 10pieces)
90	22093111	Gas nozzle for gas lens L42mm / Gr.11 54N19-11 (pu= 10pieces)

SR 26-TW**Welding-torch TIG gas-cooled****240A at 100% duty cycle (DC) - 200A at 100% duty cycle (AC)**

Art.-No.		
90	22093121	Gas nozzle for gas lens L42mm / Gr.12 54N19 (pu= 10pieces)
N.i.	22093054	Gas nozzle for gas lens L76mm / Gr.5 54N17L (pu= 10pieces)
N.i.	22093064	Gas nozzle for gas lens L76mm / Gr.6 54N16L (pu= 10pieces)
N.i.	22093074	Gas nozzle for gas lens L76mm / Gr.7 54N15L (pu= 10pieces)
N.i.	22093084	Gas nozzle for gas lens L76mm / Gr.8 54N14L (pu= 10pieces)
Ceramic gas nozzles jumbo in different lengths suitable equipment line (D) gas lens jumbo		
95	22093066	Jumbo gas nozzle L48mm / Gr.6 57N75 (pu= 10pieces)
95	22093086	Jumbo gas nozzle L48mm / Gr.8 57N74 (pu= 10pieces)
95	22093106	Jumbo gas nozzle L48mm / Gr.10 53N88 (pu= 10pieces)
95	22093126	Jumbo gas nozzle L48mm / Gr.12 53N87 (pu= 10pieces)
N.i.	22093067	Jumbo gas nozzle L73mm / Gr.6 57N75L (pu= 10pieces)
N.i.	22093087	Jumbo gas nozzle L73mm / Gr.8 57N74L (pu= 10pieces)
N.i.	22093107	Jumbo gas nozzle L73mm / Gr.10 53N88L (pu= 10pieces)
N.i.	22093127	Jumbo gas nozzle L73mm / Gr.12 53N87L (pu= 10pieces)
Ceramic gas nozzles L-20mm suitable equipment line (E) gas lens mini		
96	17930502	Ceramic gas nozzle L20mm SR 17-18-26 / Gr.5 fits gas lens "Mini" 53N59MS (pu= 10pieces)
96	17930602	Ceramic gas nozzle L20mm SR 17-18-26 / Gr.6 fits gas lens "Mini" 53N60MS (pu= 10pieces)
96	17930702	Ceramic gas nozzle L20mm SR 17-18-26 / Gr.7 fits gas lens "Mini" 53N61MS (pu= 10pieces)
96-C	17930006	Ceramic nozzle for gas lens Kir Royal 17-18-26 / fits tungsten electrodes up to 3,2mm
Ceramic gas nozzles suitable equipment line (F) collet body standard mini		
97	20930401	Ceramic gas nozzle L30mm / Gr. 4 13N08 (pu= 10pieces)
97	20930501	Ceramic gas nozzle L30mm / Gr. 5 13N09 (pu= 10pieces)
97	20930601	Ceramic gas nozzle L30mm / Gr. 6 13N10 (pu= 10pieces)
97	20930701	Ceramic gas nozzle L30mm / Gr. 7 13N11 (pu= 10pieces)
97	20930801	Ceramic gas nozzle L30mm / Gr. 8 13N12 (pu= 10pieces)
97	20930101	Ceramic gas nozzle L30mm / Gr.10 13N13 (pu= 10pieces)
N.i.	20930304	Ceramic gas nozzle L48mm / Gr. 3 796F70 (pu= 10pieces)
N.i.	20930404	Ceramic gas nozzle L48mm / Gr. 4 796F71 (pu= 10pieces)
N.i.	20930504	Ceramic gas nozzle L48mm / Gr. 5 796F72 (pu= 10pieces)
o.A	20930604	Ceramic gas nozzle L48mm / Gr. 6 796F73 (pu= 10pieces)
N.i.	20930306	Ceramic gas nozzle L63mm / Gr. 3 796F74 (pu= 10pieces)
N.i.	20930406	Ceramic gas nozzle L63mm / Gr. 4 796F75 (pu= 10pieces)
N.i.	20930506	Ceramic gas nozzle L63mm / Gr. 5 796F76 (pu= 10pieces)
N.i.	20930606	Ceramic gas nozzle L63mm / Gr. 6 796F77 (pu= 10pieces)
N.i.	20930408	Ceramic gas nozzle L89mm / Gr. 4 796F79 (pu= 10pieces)

Top quality tungsten electrodes in 8 different qualities, see appendix A.