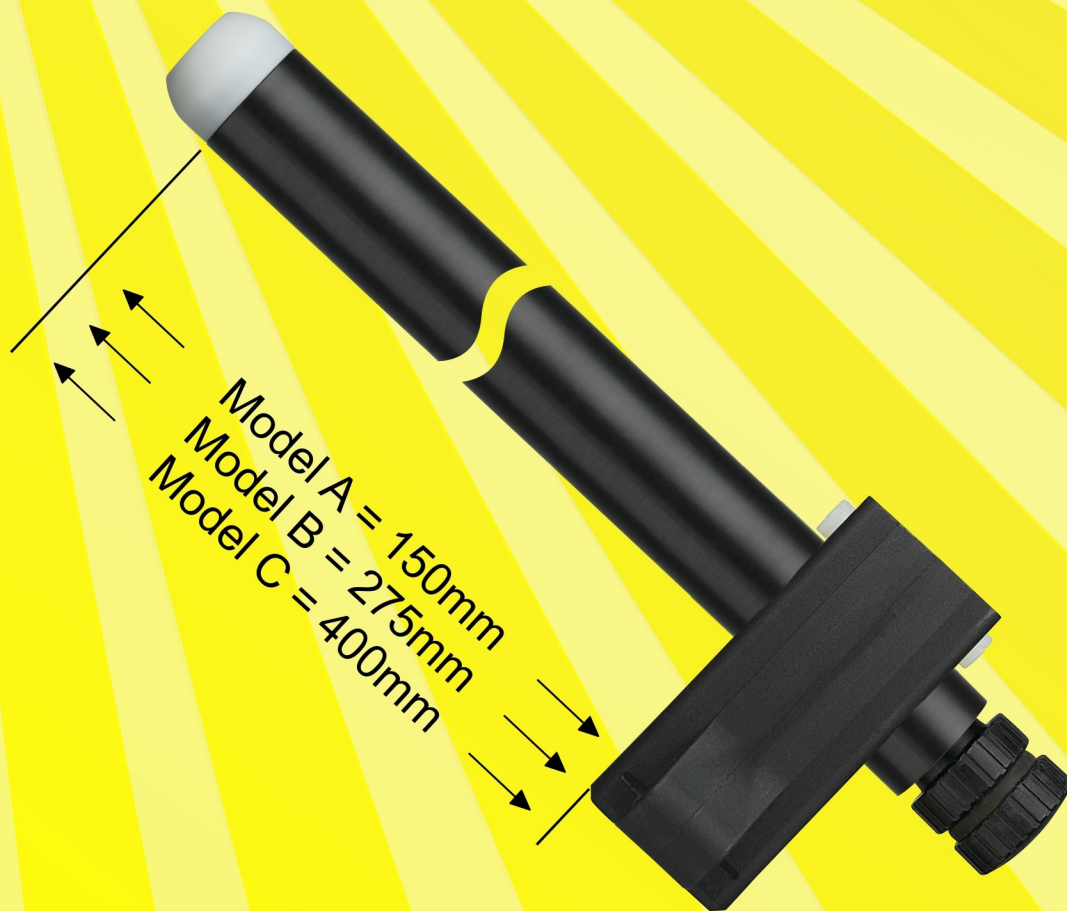


AUT 230-S

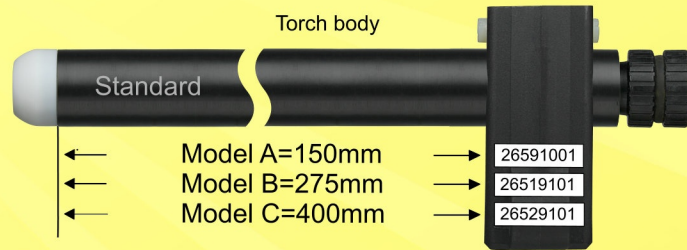
gas-cooled



240 Amp./100% duty cycle (DC)
200 Amp./100% duty cycle (AC)

AUT 230-S

gas-cooled



Equipment:

- A** standard
- B** gas lens
- D** gas lens jumbo
- E** gas lens mini
- F** standard mini



Electrode fixation
collet-body
17591303



Electrode fixation collet
17 □ 1401 for 1,0/1,6/2,4
18 □ 1401 for 3,2/4,0
□ Please fill in size



O-ring black ID12-W3mm
10089061

AUT- back cap
cap design "A"
17591302

AUT- back cap
cap design "B"
17519131

AUT- back cap
cap design "C"
17529131



Insulator
17289022



A

B

D

E

F

Gas lens insulator
17089021

Gas lens insulator jumbo
17089031

Collet L52mm
17 □ 5202 for 1,0/1,6/2,4
18 □ 5202 for 3,2/4,0
□ Please fill in size

Collet L52mm
17 □ 5202 for 1,0/1,6/2,4
18 □ 5202 for 3,2/4,0
□ Please fill in size

Collet L52mm
17 □ 5202 for 1,0/1,6/2,4
18 □ 5202 for 3,2/4,0
□ Please fill in size

Collet L31mm
17 □ 3101 for 1,0/1,6/2,4
18323101 for 3,2
□ Please fill in size

Collet L31mm
17 □ 3101 for 1,0/1,6/2,4
18323101 for 3,2
□ Please fill in size

Collet body
1796 □ 02 for 1,0/1,6/2,4
1896 □ 02 for 3,2/4,0
□ Please fill in size

Gas lens
1796 □ 11 for 1,0/1,6/2,4
1896 □ 11 for 3,2/4,0
□ Please fill in size

Gas lens jumbo
1796 □ 21 for 1,0/1,6/2,4
1896 □ 21 for 3,2/4,0
□ Please fill in size

Gas lens mini
1796 □ 31 for 1,0/1,6/2,4
18963231 for 3,2
□ Please fill in size

Collet body mini
1796 □ 03 for 1,0/1,6/2,4
18963203 for 3,2
□ Please fill in size

Ceramic nozzle L47mm
for standard collet body
Please state size
Also available in special length
L76mm

Ceramic nozzle L42mm
for gas lens
Please state size
Also available in special length
L76mm

Ceramic nozzle L 48mm
for gas lens jumbo
Please state size

Ceramic nozzle L20mm
for gas lens mini
Please state size

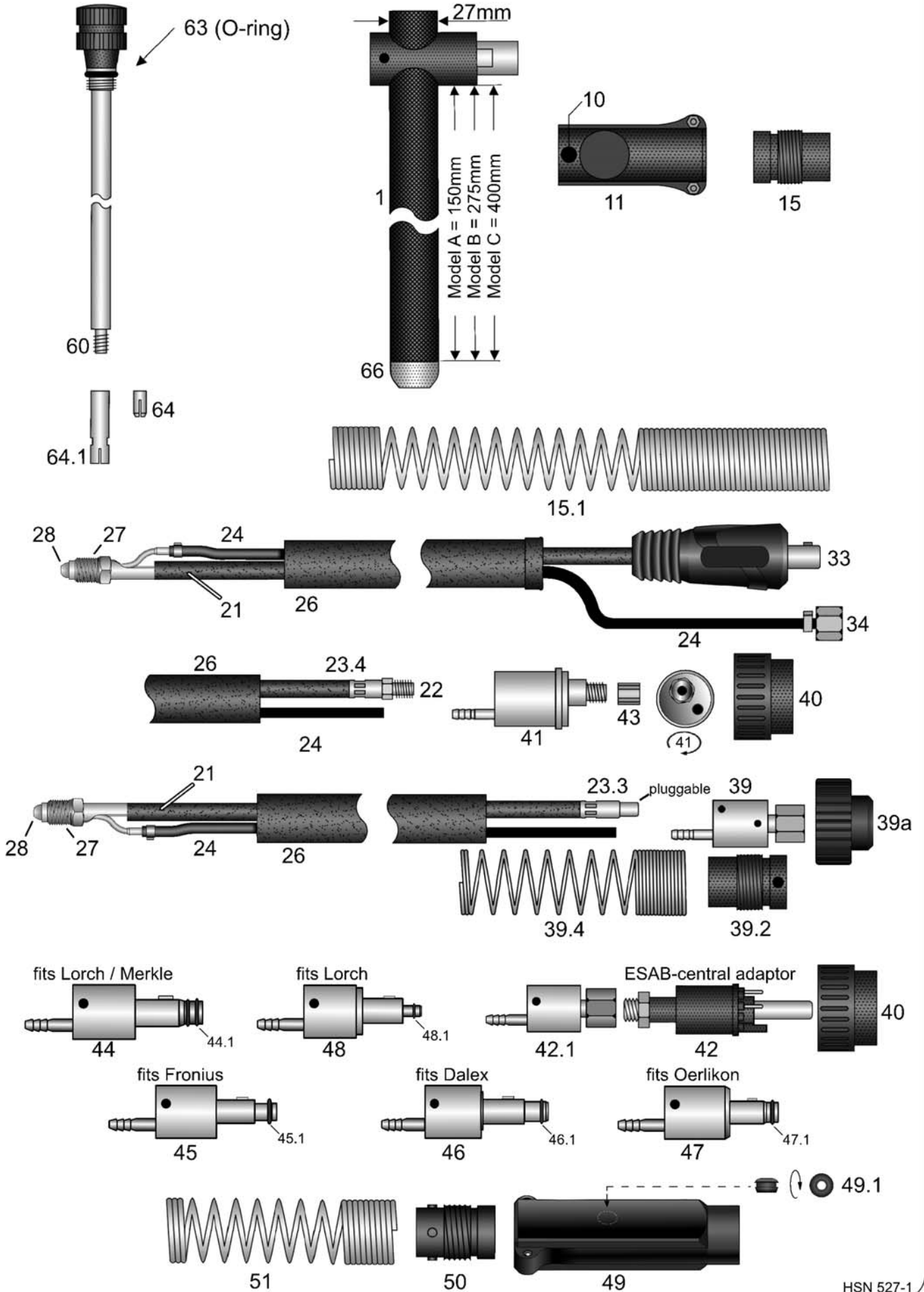
Ceramic nozzle L30mm
for standard collet body mini
Please state size
Also available in special lengths
L48mm / L63mm / L89mm

HSN 743-1

AUT 230-S gas-cooled

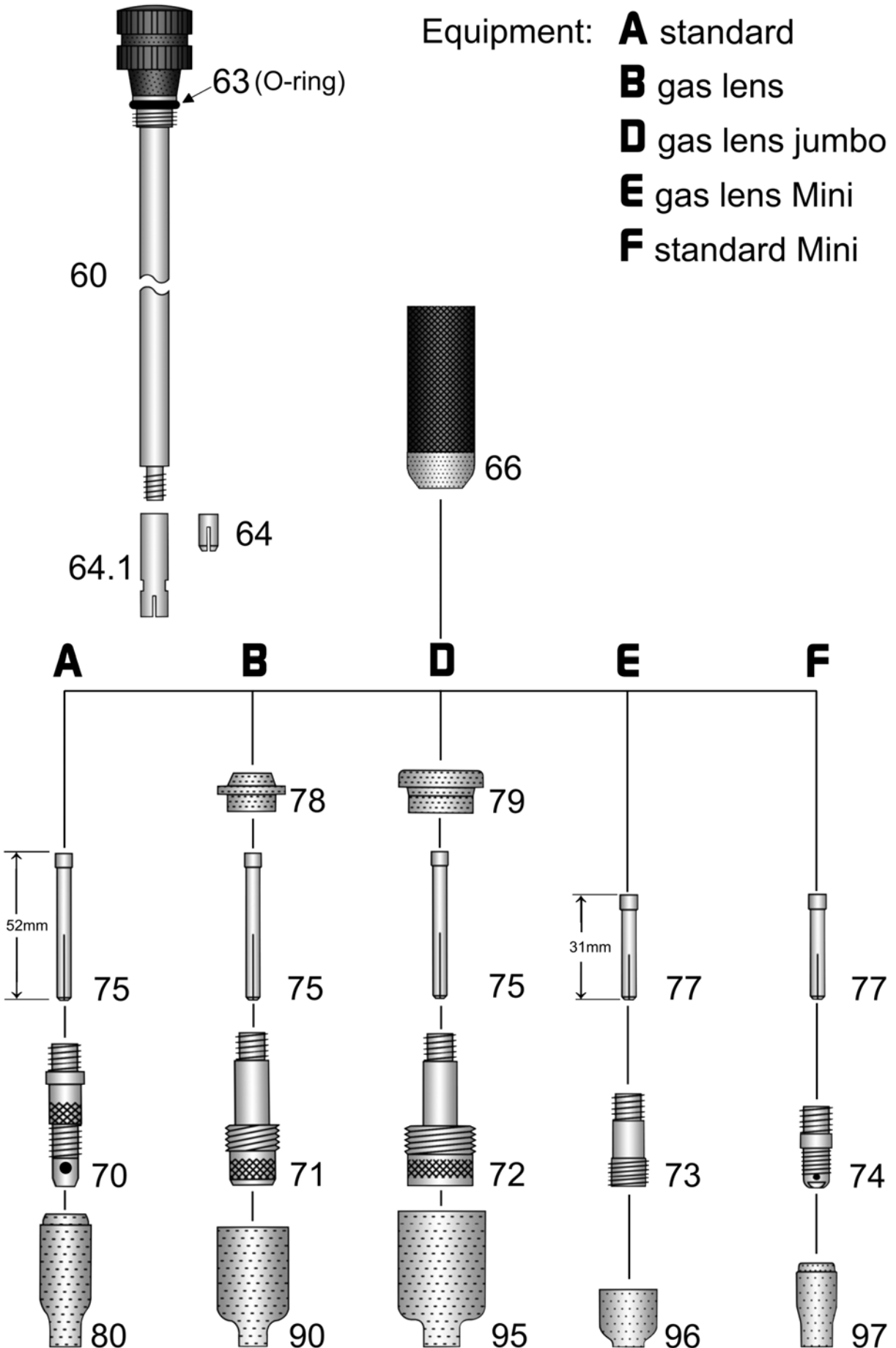


240 Ampere at 100% duty cycle (DC) - 200 Ampere at 100% duty cycle (AC)



HSN 527-1

AUT 230 - S gas-cooled spare parts



HSN 108-1

AUT 230-S

Welding-torch TIG gas-cooled

240A at 100% duty cycle (DC) - 200A at 100% duty cycle (AC)

Art.-No.

Torches without leatherhose. Machine side separate connections.

Torches and cable assemblies can be produced in excess lengths. Please find the different options and surcharges in the attachment "Custom made products" appendix C. We produce torches for more than 40 different brands of machines with different connection systems.

26500401 AUTomatic-torch 230-S design "A" / 4m

26510401 AUTomatic-torch 230-S design "B" / 4m

26520401 AUTomatic-torch 230-S design "C" / 4m

26500801 AUTomatic-torch 230-S design "A" / 8m

26510801 AUTomatic-torch 230-S design "B" / 8m

26520801 AUTomatic-torch 230-S design "C" / 8m

TIG-spares cable assemblies in different qualities, machine side with separate connections and Tuchel plug, or, if ordered so, with the following connection systems:

wig92401 TIG-spares cable assembly gas-cooled 4m - please state desired design!

wig92801 TIG-spares cable assembly gas-cooled 8m - please state desired design!

The following surcharges for machine side connections are only to find prices quickly. Please use our catalogue "TIG machine side connections" to find a "T" number which identifies a machine side connection system completely.

29000101 Surcharge: machine side with EURO central adapter

29002005 Surcharge: machine side power/gas plug fits Lorch/Merkle with 2 O-rings

29002004 Surcharge: machine side power/gas plug fits Fronius with 1 O-ring

29002006 Surcharge: machine side power/gas plug fits Dalex with 1 O-ring

29002107 Surcharge: machine side power/gas plug fits Oerlikon with 1 O-ring

29002002 Surcharge: machine side power/gas plug fits Lorch SK35 + gas-nipple

29000112 Surcharge: machine side fits ESAB central adapter, 4 pins installed at position 3,4,5,6

1-A 26591001 AUTomatic-torch body design "A"

1-B 26519101 AUTomatic-torch body design "B"

1-C 26529101 AUTomatic-torch body design "C"

10 18588101 Attachment screw plastic M5x8mm 230-S / 410-S

11 18588001 AUT-cable support with 2 screws M3x11,5mm 230-S / 410-S

15 91918541 TIG spring socket small (without knobs)

15.1 91912511 AUT cable support spring (long design)

20 26940403 Power cable 35mm² SR 26 / 4m fits power/gas plugs + power gas junction (pgj)

20 26940803 Power cable 35mm² SR 26 / 8m fits power/gas plugs + power gas junction (pgj)

21 26940402 Power cable 35mm² SR 26 / 4m with SK25 or SK-35 <--- please state!

21 26940802 Power cable 35mm² SR 26 / 8m with SK25 or SK-35 <--- please state!

22 26940404 Power cable 35mm² SR 26 / 4m EURO fits central adapter (OT-M10x1)

22 26940804 Power cable 35mm² SR 26 / 8m EURO fits central adapter (OT-M10x1)

23.3 22089057 TIG-Power cable connector pluggable ID8,2mm fits 35mm²

23.4 22089054 TIG-Power cable connector OT-M10x1 ID8,2mm fits 35mm²

Reel goods:

Prices are per meter and only applicable for purchasing of complete rolls

AUT 230-S

Welding-torch TIG gas-cooled

240A at 100% duty cycle (DC) - 200A at 100% duty cycle (AC)

Art.-No.		
24	41500001	Meter ST 70 PVC hose ID4,0-W1,5mm black for gas (100m)
24	41500005	Meter HT 130 TPE hose ID4,0-W1,5mm grey for gas (100m)
26	22150002	Meter neoprene protective hose ID22mm black (40m)
27	91907601	Power cable connector separate lines OT-5/8"UNF-right-hand thread
28	91907612	Hose connector L105mm SR 26 pistol side
33	91918201	Powercable-plug SK-25 bayonet connection AD8mm
33	91918301	Powercable-plug SK-35 bayonet connection AD13mm
34	91901501	Coupling nut IT-G1/4"
N.i.	91901211	Hose connector 4mm fits coupling nut R1/4"
39	91918521	TIG power gas junction (pgj) with connection: IT-G1/8"
39	91918522	TIG power gas junction (pgj) with connection: IT-G1/4"
39	91918523	TIG power gas junction (pgj) with connection: IT-G3/8"
39a	91903503	Insulating sleeve with inner hexagonal shape A/F17 for TIG power-connection IT-G1/4"
N.i.	91918551	Attachment screw (plastic) M5x12mm for power gas junction (pgj)
N.i.	91918552	3 grommets for attachment screws M5x12mm power gas junction (pgj)
N.i.	91918542	Section of insulating hose ID35-L80mm power gas junction (pgj)
39.2	91918541	TIG spring socket small (without knobs)
39.4	91918531	Cable support spring L125mm for power gas junction (pgj)
40	91900701	Terminal nut insulated fits EURO central adapter
41	91900122	TIG central adapter EURO (fits separate lines)
42	91900301	TIG central adapter identical ESAB, 4 contact pins at position 3,4,5,6
42.1	91918561	TIG power gas junction (pgj) fits ESAB central adapter
43	91900901	Swivel nut IT-M10x1 (rounded edges) fits EURO central adapter
44	9190411n	Power/gas plug fits Lorch / Merkle with 2 O-rings / power connection like pgj
44.1	81600001	O-ring ID8-W1,6mm fits Lorch/Merkle
45	91918326	Power/gas plug fits Fronius with 1 O-ring / power connection like pgj
45.1	62190001	O-ring ID6,2-W1,9mm fits Fronius
46	9190416e	Power/gas plug fits Dalex with 1 O-ring / power connection like pgj
46.1	63240001	O-ring ID6,3-W2,4mm fits Dalex
47	9190422n	Power/gas plug fits Oerlikon with 1 O-ring / power connection like pgj
47.1	60717801	O-ring ID6,07-W1,78mm fits Oerlikon
48	9190421n	Power/gas plug fits Lorch Sk35 + gas-nipple / power connection like pgj
48.1	91900801	O-ring ID4-W1mm fits gas-nipple EURO central adapter
N.i.	91900552	TIG cable support long (like MIG-MAG) with screws fits ESAB central adapter
N.i.	91900554	Attachment screw M4x8mm fits ESAB central adapter
49	91900556	TIG cable support short with screws (fits gas-cooled)
N.i.	91920702	Screw M3x11,5mm fits Ratio/Industry/RAUCH handle and cable support
N.i.	91920703	M3 mounting socket fits Ratio/Industry/RAUCH handle and cable support
o.A.	91900602	Screw M4x6mm fits TIG cable support short
49.1	91901012	Reduction-eyelet (rubber) from ID10,5mm to ID5mm fits TIG cable support short
50	91912801	Spring-socket fits cable support
51	91912601	Cable support spring

AUT 230-S

Welding-torch TIG gas-cooled

240A at 100% duty cycle (DC) - 200A at 100% duty cycle (AC)

Art.-No.		
60-A	17591302	AUTomatic-back cap design "A"
60-B	17519131	AUTomatic-back cap design "B"
60-C	17529131	AUTomatic-back cap design "C"
63	10089061	O-ring ID12-W3mm
64	17101401	Electrode fixation collet 1,0
64	17161401	Electrode fixation collet 1,6
64	17241401	Electrode fixation collet 2,4
64	18321401	Electrode fixation collet 3,2
64.1	17591303	Electrode fixation collet-body
66	17289022	PTFE-isolator AUT 230/410-S
70	17961002	Collet body 17-18-26-220 / 1,0 10N30
70	17961602	Collet body 17-18-26-220 / 1,6 10N31
70	17962402	Collet body 17-18-26-220 / 2,4 10N32
70	18963202	Collet body 17-18-26-220 / 3,2 10N28
71	17961011	Gas lens 17-18-26-220 / 1,0 45V24
71	17961611	Gas lens 17-18-26-220 / 1,6 45V25
71	17962411	Gas lens 17-18-26-220 / 2,4 45V26
71	18963211	Gas lens 17-18-26-220 / 3,2 45V27
72	17961021	Jumbo-Gas lens 17-18-26-220 / 1,0 45V0204
72	17961621	Jumbo-Gas lens 17-18-26-220 / 1,6 45V116
72	17962421	Jumbo-Gas lens 17-18-26-220 / 2,4 45V64
72	18963221	Jumbo-Gas lens 17-18-26-220 / 3,2 995795
73	17961031	Gas lens "Mini" SR 17-18-26 / 1,0 conversion kit
73	17961631	Gas lens "Mini" SR 17-18-26 / 1,6 conversion kit
73	17962431	Gas lens "Mini" SR 17-18-26 / 2,4 conversion kit
73	18963231	Gas lens "Mini" SR 17-18-26 / 3,2 conversion kit
74	18961003	Collet body "Mini" SR 17-18-26 1,0 conversion kit
74	18961603	Collet body "Mini" SR 17-18-26 1,6 conversion kit
74	18962403	Collet body "Mini" SR 17-18-26 2,4 conversion kit
74	18963203	Collet body "Mini" SR 17-18-26 / 1,0 - 3,2 17CB20 conversion kit
Brazen collets L-52mm		
suitable equipment line (A) standard collet body		
suitable equipment line (B) gas lens		
suitable equipment line (D) gas lens jumbo		
75	17105202	Collet L52mm AS17-AS18-ABL220 / 1,0 10N22-D
75	17165202	Collet L52mm AS17-AS18-ABL220 / 1,6 10N23-D
75	17245202	Collet L52mm AS17-AS18-ABL220 / 2,4 10N24-D
75	18325202	Collet L52mm AS17-AS18-ABL220 / 3,2 10N25-D
Brazen-collets L-31mm		
suitable equipment line (E) gas lens mini		
suitable equipment line (F) standard collet body mini		
77	17103101	Collet L31mm AUT-WIG 230-S / 410-S / 1,0
77	17163101	Collet L31mm AUT-WIG 230-S / 410-S / 1,6

AUT 230-S

Welding-torch TIG gas-cooled

240A at 100% duty cycle (DC) - 200A at 100% duty cycle (AC)

Art.-No.		
77	17243101	Collet L31mm AUT-WIG 230-S / 410-S / 2,4
77	18323101	Collet L31mm AUT-WIG 230-S / 410-S / 3,2
78	17089021	PTFE-Gas-lens insulator 17-18-26-220 54N01
79	17089031	PTFE-Gas-lens insulator Jumbo 17-18-26-220 54N63
Ceramic gas nozzles in different lengths suitable equipment line (A) standard collet body		
80	17930401	Ceramic gas nozzle L47mm 17-18-26-220 / Gr.4 10N50 (pu= 10pieces)
80	17930501	Ceramic gas nozzle L47mm 17-18-26-220 / Gr.5 10N49 (pu= 10pieces)
80	17930601	Ceramic gas nozzle L47mm 17-18-26-220 / Gr.6 10N48 (pu= 10pieces)
80	17930701	Ceramic gas nozzle L47mm 17-18-26-220 / Gr.7 10N47 (pu= 10pieces)
80	17930801	Ceramic gas nozzle L47mm 17-18-26-220 / Gr.8 10N46 (pu= 10pieces)
80	17930101	Ceramic gas nozzle L47mm 17-18-26-220 / Gr.10 10N45 (pu= 10pieces)
80	17930121	Ceramic gas nozzle L47mm 17-18-26-220 / Gr.12 10N44 (pu= 10pieces)
N.i.	17930404	Ceramic gas nozzle L76mm 17-18-26-220 / Gr.4 10N50L (pu= 10pieces)
N.i.	17930504	Ceramic gas nozzle L76mm 17-18-26-220 / Gr.5 10N49L (pu= 10pieces)
N.i.	17930604	Ceramic gas nozzle L76mm 17-18-26-220 / Gr.6 10N48L (pu= 10pieces)
N.i.	17930704	Ceramic gas nozzle L76mm 17-18-26-220 / Gr.7 10N47L (pu= 10pieces)
Ceramic gas nozzles in different lengths suitable equipment line (B) gas lens		
90	22093041	Gas nozzle for gas lens L42mm / Gr.4 54N18 (pu= 10pieces)
90	22093051	Gas nozzle for gas lens L42mm / Gr.5 54N17 (pu= 10pieces)
90	22093061	Gas nozzle for gas lens L42mm / Gr.6 54N16 (pu= 10pieces)
90	22093071	Gas nozzle for gas lens L42mm / Gr.7 54N15 (pu= 10pieces)
90	22093081	Gas nozzle for gas lens L42mm / Gr.8 54N14 (pu= 10pieces)
90	22093111	Gas nozzle for gas lens L42mm / Gr.11 54N19-11 (pu= 10pieces)
90	22093121	Gas nozzle for gas lens L42mm / Gr.12 54N19 (pu= 10pieces)
N.i.	22093054	Gas nozzle for gas lens L76mm / Gr.5 54N17L (pu= 10pieces)
N.i.	22093064	Gas nozzle for gas lens L76mm / Gr.6 54N16L (pu= 10pieces)
N.i.	22093074	Gas nozzle for gas lens L76mm / Gr.7 54N15L (pu= 10pieces)
N.i.	22093084	Gas nozzle for gas lens L76mm / Gr.8 54N14L (pu= 10pieces)
Ceramic gas nozzles jumbo in different lengths suitable equipment line (D) gas lens jumbo		
95	22093066	Jumbo gas nozzle L48mm / Gr.6 57N75 (pu= 10pieces)
95	22093086	Jumbo gas nozzle L48mm / Gr.8 57N74 (pu= 10pieces)
95	22093106	Jumbo gas nozzle L48mm / Gr.10 53N88 (pu= 10pieces)
95	22093126	Jumbo gas nozzle L48mm / Gr.12 53N87 (pu= 10pieces)
N.i.	22093067	Jumbo gas nozzle L73mm / Gr.6 57N75L (pu= 10pieces)
N.i.	22093087	Jumbo gas nozzle L73mm / Gr.8 57N74L (pu= 10pieces)
N.i.	22093107	Jumbo gas nozzle L73mm / Gr.10 53N88L (pu= 10pieces)
N.i.	22093127	Jumbo gas nozzle L73mm / Gr.12 53N87L (pu= 10pieces)
Ceramic gas nozzles L-20mm suitable equipment line (E) gas lens mini		
96	17930502	Ceramic gas nozzle L20mm SR 17-18-26 / Gr.5 fits gas lens "Mini" 53N59MS (pu= 10pieces)
96	17930602	Ceramic gas nozzle L20mm SR 17-18-26 / Gr.6 fits gas lens "Mini" 53N60MS (pu= 10pieces)
96	17930702	Ceramic gas nozzle L20mm SR 17-18-26 / Gr.7 fits gas lens "Mini" 53N61MS (pu= 10pieces)

AUT 230-S

Welding-torch TIG gas-cooled

240A at 100% duty cycle (DC) - 200A at 100% duty cycle (AC)

Art.-No.

Ceramic gas nozzles suitable equipment line (F) collet body standard mini		
97	20930401	Ceramic gas nozzle L30mm / Gr. 4 13N08 (pu= 10pieces)
97	20930501	Ceramic gas nozzle L30mm / Gr. 5 13N09 (pu= 10pieces)
97	20930601	Ceramic gas nozzle L30mm / Gr. 6 13N10 (pu= 10pieces)
97	20930701	Ceramic gas nozzle L30mm / Gr. 7 13N11 (pu= 10pieces)
97	20930801	Ceramic gas nozzle L30mm / Gr. 8 13N12 (pu= 10pieces)
97	20930101	Ceramic gas nozzle L30mm / Gr.10 13N13 (pu= 10pieces)
N.i.	20930304	Ceramic gas nozzle L48mm / Gr. 3 796F70 (pu= 10pieces)
N.i.	20930404	Ceramic gas nozzle L48mm / Gr. 4 796F71 (pu= 10pieces)
N.i.	20930504	Ceramic gas nozzle L48mm / Gr. 5 796F72 (pu= 10pieces)
o.A	20930604	Ceramic gas nozzle L48mm / Gr. 6 796F73 (pu= 10pieces)
N.i.	20930306	Ceramic gas nozzle L63mm / Gr. 3 796F74 (pu= 10pieces)
N.i.	20930406	Ceramic gas nozzle L63mm / Gr. 4 796F75 (pu= 10pieces)
N.i.	20930506	Ceramic gas nozzle L63mm / Gr. 5 796F76 (pu= 10pieces)
N.i.	20930606	Ceramic gas nozzle L63mm / Gr. 6 796F77 (pu= 10pieces)
N.i.	20930408	Ceramic gas nozzle L89mm / Gr. 4 796F79 (pu= 10pieces)
Top quality tungsten electrodes in 8 different qualities, see appendix A.		