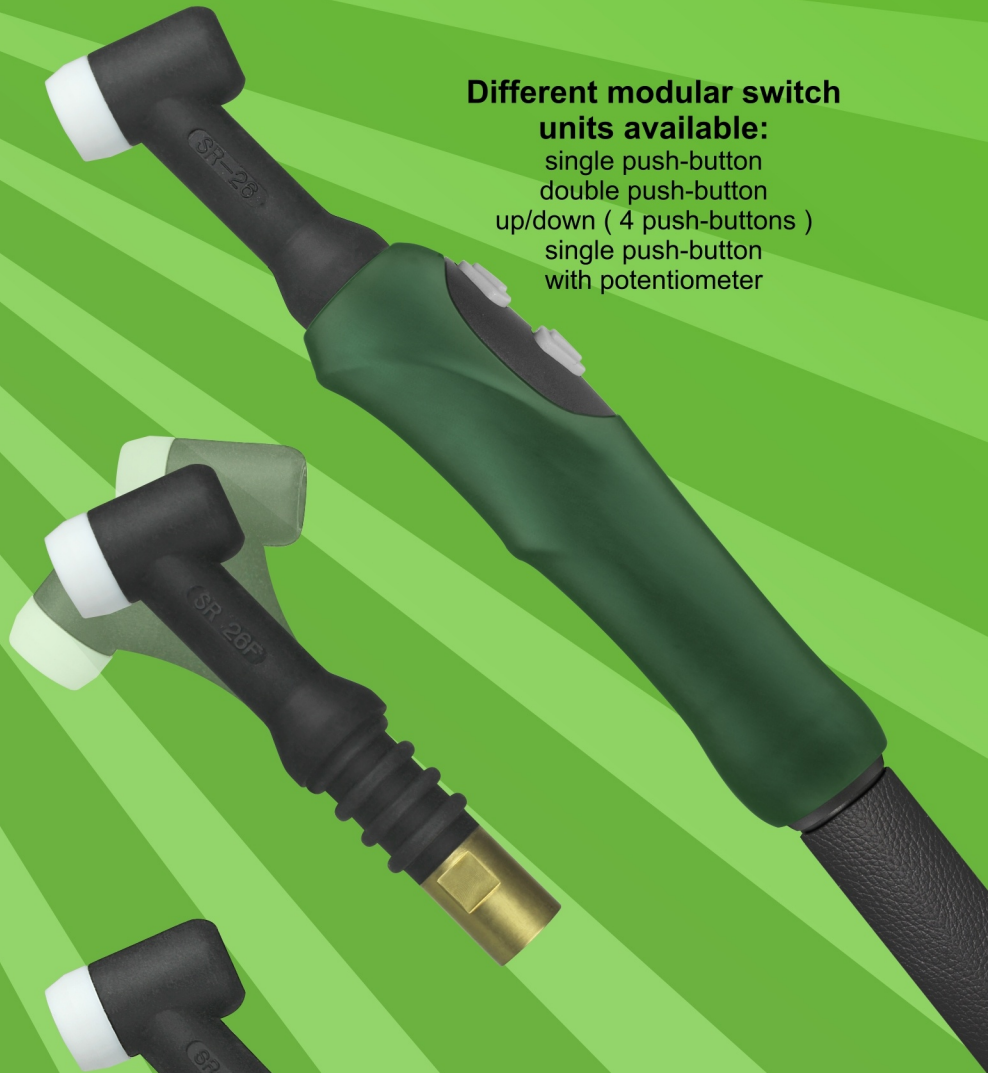


SR 26

gas-cooled

Different modular switch units available:
single push-button
double push-button
up/down (4 push-buttons)
single push-button with potentiometer



SR 26F

gas-cooled



SR 26V

gas-cooled



SR 26FV

gas-cooled

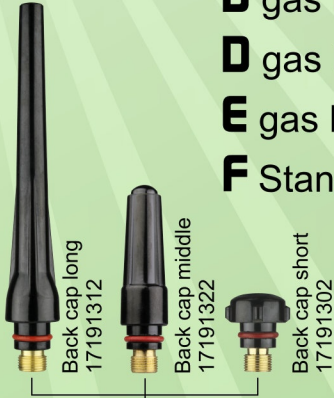


240 Amp./60% duty cycle (DC)
200 Amp./60% duty cycle (AC)

SR 26 / SR 26F / SR 26V / SR 26FV

gas-cooled

Equipment: **A** standard
B gas lens
D gas lens jumbo
E gas lens mini
F Standard mini



O-ring red ID8-W2mm included
 17189001



Insulator
 17289021



Torch body
 26191001

Torch body
 26391001

Torch body
 26291001

Torch body
 26491001

A

B

D

Kir Royal argon nozzle fits equipment line **E**



with firmly built-in sieves for perfect gas circulation

E

F

Gas lens insulator
 17089021

Gas lens insulator jumbo
 17089031

Collet L50mm
 17 □ 5002 for 1,0/1,6/2,4
 18 □ 5002 for 3,2/4,0
 □ Please fill in size

Collet L50mm
 17 □ 5002 for 1,0/1,6/2,4
 18 □ 5002 for 3,2/4,0
 □ Please fill in size

Collet L50mm
 17 □ 5002 for 1,0/1,6/2,4
 18 □ 5002 for 3,2/4,0
 □ Please fill in size

Collet L29mm
 17 □ 3002 for 1,0/1,6/2,4
 18323002 for 3,2
 □ Please fill in size

Collet L29mm
 17 □ 3002 for 1,0/1,6/2,4
 18323002 for 3,2
 □ Please fill in size

Collet body
 1796 □ 02 for 1,0/1,6/2,4
 1896 □ 02 for 3,2/4,0
 □ Please fill in size

Gas lens
 1796 □ 11 for 1,0/1,6/2,4
 1896 □ 11 for 3,2/4,0
 □ Please fill in size

Gas lens jumbo
 1796 □ 21 for 1,0/1,6/2,4
 1896 □ 21 for 3,2/4,0
 □ Please fill in size

Gas lens mini
 1796 □ 31 for 1,0/1,6/2,4
 18963231 for 3,2
 □ Please fill in size

Collet body mini
 1796 □ 03 for 1,0/1,6/2,4
 18963203 for 3,2
 □ Please fill in size

Ceramic nozzle L47mm
for standard collet body
Please state size
 Also available in special length L76mm

Ceramic nozzle L42mm
for gas lens
Please state size
 Also available in special length L76mm

Ceramic nozzle L 48mm
for gas lens jumbo
Please state size

Ceramic nozzle L20mm
for gas lens mini
Please state size

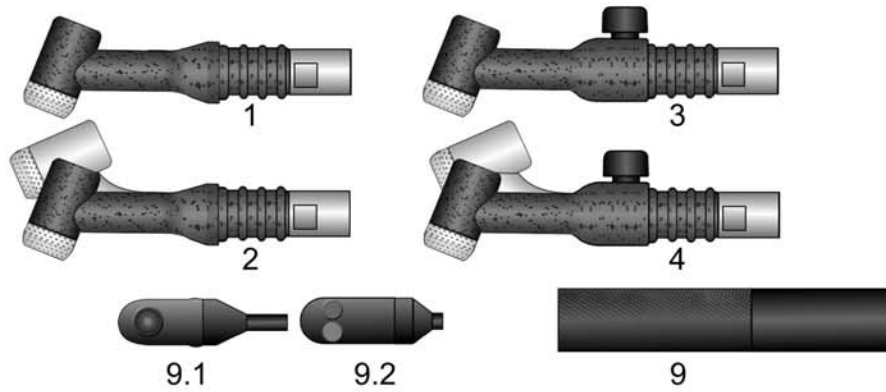
Ceramic nozzle L30mm
for standard collet body mini
Please state size
 Also available in special lengths L48mm / L63mm / L89mm

HSN 735AB-1

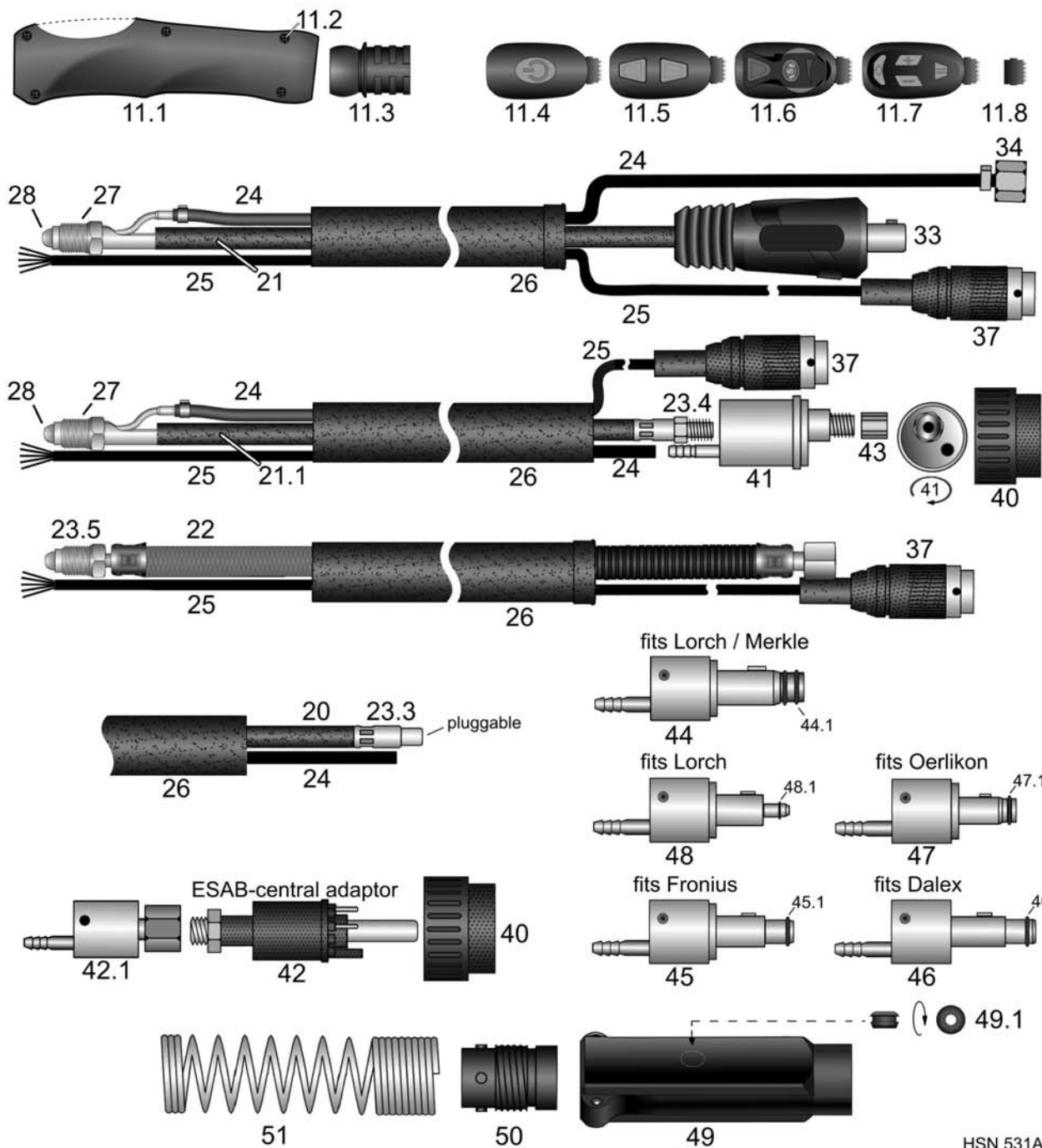
SR 26 gas-cooled



240 Ampere at 60% duty cycle (DC) - 200 Ampere at 60% duty cycle (AC)



Forma WIG-handle with ball joint - different modular switch units - special switching modules on request

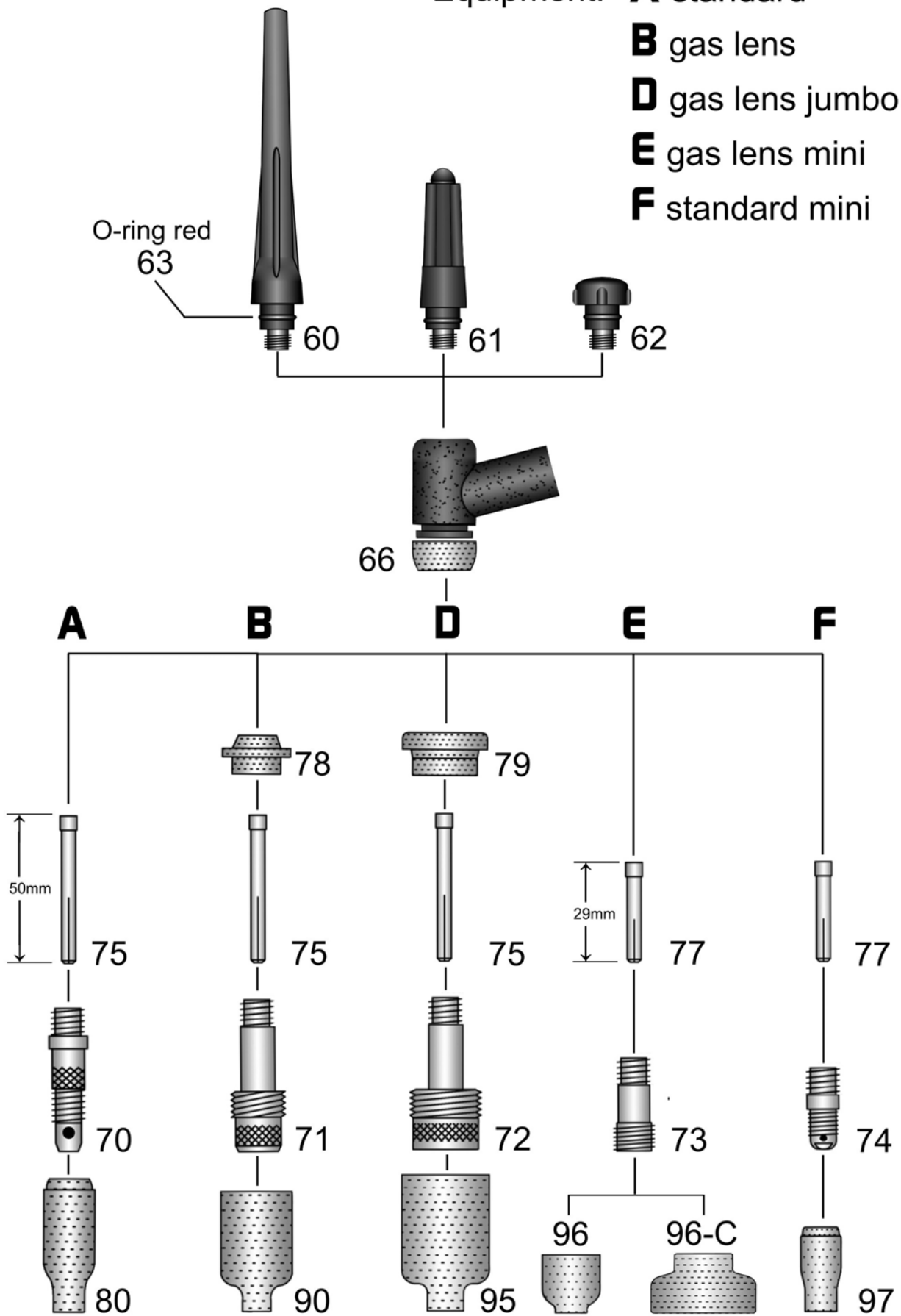


HSN 531AB-1

SR 26 gas-cooled spare parts



Equipment: **A** standard
B gas lens
D gas lens jumbo
E gas lens mini
F standard mini



HSN 113AB-1

SR 26

Welding-torch TIG gas-cooled with import torch body

240A at 60% duty cycle (DC) - 200A at 60% duty cycle (AC)

Art.-No.

Torches with first meter leather hose. Machine side separate connections with Tuchel-plug.

Torches and cable assemblies can be produced in excess lengths. Please find the different options and surcharges in the appendix C "Custom made products". We produce torches for more than 40 different brands of machines with different connection systems.

26100401 Torch SR 26 / 4m

26100801 Torch SR 26 / 8m

26300401 FLEX-torch SR 26F / 4m neck flexible

26300801 FLEX-torch SR 26F / 8m neck flexible

26200401 Valve torch SR 26V / 4m

26200801 Valve torch SR 26V / 8m

26400401 FLEX-Valve torch SR 26FV / 4m neck flexible

26400801 FLEX-Valve torch SR 26FV / 8m neck flexible

TIG-spares cable assemblies, either with separate connections, or for the following connection systems.

wig92401 TIG-spares cable assembly gas-cooled 4m - please state desired design!

wig92801 TIG-spares cable assembly gas-cooled 8m - please state desired design!

The following machine side connections are only listed for fast price finding purposes. In our catalogue "TIG machine side connections" you'll find technical information specifying a machine side connection.

29000101 Surcharge: machine side with EURO central adapter

29002005 Surcharge: machine side power/gas plug fits Lorch/Merkle with 2 O-rings

29002004 Surcharge: machine side power/gas plug fits Fronius with 1 O-ring

29002006 Surcharge: machine side power/gas plug fits Dalex with 1 O-ring

29002107 Surcharge: machine side power/gas plug fits Oerlikon with 1 O-ring

29002002 Surcharge: machine side power/gas plug fits Lorch SK35 + gas-nipple

29000112 Surcharge: machine side fits ESAB central adapter, 4 pins installed at position 3,4,5,6

Please be aware that further surcharges may apply for some special control-line plugs. See appendix D.

1 26191001 Torch body SR 26

2 26391001 Torch body SR 26F neck flexible (FLEX)

3 26291001 Valve torch body SR 26V

4 26491001 Valve-torch body SR 26FV neck flexible (FLEX)

9 26088003 Handle H-200 fits SR 18 / SR 26

9.1 10089001 Single stroke button (rubber)

9.2 91921301 Doublepush button red/green

N.i. 10089011 One-hole shrinking hose switch sleeve ID50mm - min 25mm

N.i. 10089012 Two-hole shrinking hose switch sleeve ID50mm - min 25mm

11.1 91914601 Forma TIG handle with screws, ball joint, without modular switch unit

11.2 91914602 Forma screw for handle

11.3 91914603 Forma hose bracket with ball joint ID21,5mm (also fits MG-handle)

11.4 91914611 Forma modular switch unit: 1 button with connecting adapter

11.5 91914621 Forma modular switch unit: 2 buttons with connecting adapter

11.6 91914631 Forma modular switch unit: 1 button + potentiometer (10k) with connecting adapter

SR 26**Welding-torch TIG gas-cooled with import torch body****240A at 60% duty cycle (DC) - 200A at 60% duty cycle (AC)**

Art.-No.		
11.7	91914641	Forma modular switch unit: 2 buttons + up/down (4 switches) with connecting adapter
11.8	91914651	Forma connecting adapter fits control line to modular switch unit
N.i.	91914661	Forma switch module safety nipple
20	26940403	Power cable 35mm ² SR 26 / 4m fits power/gas plugs + power gas junction (pgj)
20	26940803	Power cable 35mm ² SR 26 / 8m fits power/gas plugs + power gas junction (pgj)
21	26940402	Power cable 35mm ² SR 26 / 4m with SK25 or SK-35 <--- please state!
21	26940802	Power cable 35mm ² SR 26 / 8m with SK25 or SK-35 <--- please state!
21.1	26940404	Power cable 35mm ² SR 26 / 4m EURO fits central adapter (OT-M10x1)
21.1	26940804	Power cable 35mm ² SR 26 / 8m EURO fits central adapter (OT-M10x1)
Please state the machine side connection for the following power/ gas cables.		
22	26940401	ST 80 TURBOFLEX power/gas conduit 27mm ² SR 26/230-S / 4m
22	26940801	ST 80 TURBOFLEX power/gas conduit 27mm ² SR 26/230-S / 8m
23.3	22089057	TIG-Power cable connector pluggable ID8,2mm fits 35mm ²
23.4	22089054	TIG-Power cable connector OT-M10x1 ID8,2mm fits 35mm ²
23.5	12058001	Powercable connector AD12mm OT-5/8"UNF-right-hand
Reel goods: Prices are given per meter and only valid for purchase of complete reels		
24	41500001	Meter ST 70 PVC hose ID4,0-W1,5mm black for gas (100m)
24	41500005	Meter HT 130 TPE hose ID4,0-W1,5mm grey for gas (100m)
N.i.	91902701	Meter control line 3x0,34mm ² shielded black (100m)
N.i.	91902711	Meter control line 3x0,5mm ² green (100m)
25	91902721	Meter control line 5x0,25mm ² grey (100m)
26	22150002	Meter neoprene protective hose ID22mm black (40m)
27	91907601	Power cable connector separate lines OT-5/8"UNF-right-hand thread
28	91907612	Hose connector L105mm SR 26 pistol side
N.i.	91915004	Leather protective hose ID22mm / 1 meter long
N.i.	91915007	Leather protective hose ID22mm / 1 meter long with ball joint and hose connector
N.i.	91915013	Hose connector leather protective hose / protection hose ID22,5mm (black) with slot, OD with grooves
N.i.	91918321	Powercable plug SK25 with separate gas inlet, power-/gas connection OT-M12x1
33	91918201	Powercable-plug SK-25 bayonet connection AD8mm
33	91918301	Powercable-plug SK-35 bayonet connection AD13mm
N.i.	91918311	Powercable plug SK35 with separate gas inlet, power-/gas connection OT-M12x1
34	91901501	Coupling nut IT-G1/4"
N.i.	91901211	Hose connector 4mm fits coupling nut R1/4"
37	91904101	Plug 3-poles Tuchel with bayonet-catch
37	91904111	Plug 5-poles Tuchel with bayonet-catch
More control line plugs please see appendix D.		
40	91900701	Terminal nut insulated fits EURO central adapter
41	91900122	TIG central adapter EURO (fits separate lines)
N.i.	91900121	TIG-central adapter EURO central adapter with IT-M10x1 (fits power/gas conduit)

SR 26**Welding-torch TIG gas-cooled with import torch body****240A at 60% duty cycle (DC) - 200A at 60% duty cycle (AC)**

Art.-No.		
42	91900301	TIG central adapter identical ESAB, 4 contact pins at position 3,4,5,6
42.1	91918561	TIG power gas junction (pgj) fits ESAB central adapter
43	91900901	Swivel nut IT-M10x1 (rounded edges) fits EURO central adapter
44	9190411n	Power/gas plug fits Lorch / Merkle with 2 O-rings / power connection like pgj
44.1	81600001	O-ring ID8-W1,6mm fits Lorch/Merkle
45	91918326	Power/gas plug fits Fronius with 1 O-ring / power connection like pgj
45.1	62190001	O-ring ID6,2-W1,9mm fits Fronius
46	9190416e	Power/gas plug fits Dalex with 1 O-ring / power connection like pgj
46.1	63240001	O-ring ID6,3-W2,4mm fits Dalex
47	9190422n	Power/gas plug fits Oerlikon with 1 O-ring / power connection like pgj
47.1	60717801	O-ring ID6,07-W1,78mm fits Oerlikon
48	9190421n	Power/gas plug fits Lorch Sk35 + gas-nipple / power connection like pgj
48.1	91900801	O-ring ID4-W1mm fits gas-nipple EURO central adapter
49	91900556	TIG cable support short with screws (fits gas-cooled)
N.i.	91920702	Screw M3x11,5mm fits Ratio/Industry/RAUCH handle and cable support
N.i.	91920703	M3 mounting socket fits Ratio/Industry/RAUCH handle and cable support
o.A.	91900602	Screw M4x6mm fits TIG cable support short
49.1	91901012	Reduction-eyelet (rubber) from ID10,5mm to ID5mm fits TIG cable support short
50	91912801	Spring-socket fits cable support
51	91912601	Cable support spring
N.i.	91900552	TIG cable support long (like MIG-MAG) with screws fits ESAB central adapter
N.i.	91900554	Attachment screw M4x8mm fits ESAB central adapter
60	17191312	Import back cap SR 17-18-26 long
61	17191322	Import back cap medium (USA version with red O-ring) SR 17-18-26 57Y03
62	17191302	Import back cap SR 17-18-26 short
63	17189001	O-ring red ID8-W2mm for back cap
66	17289021	PTFE-isolator SR 17-18-26 18CG
70	17961002	Collet body 17-18-26-220 / 1,0 10N30
70	17961602	Collet body 17-18-26-220 / 1,6 10N31
70	17962402	Collet body 17-18-26-220 / 2,4 10N32
70	18963202	Collet body 17-18-26-220 / 3,2 10N28
71	17961011	Gas lens 17-18-26-220 / 1,0 45V24
71	17961611	Gas lens 17-18-26-220 / 1,6 45V25
71	17962411	Gas lens 17-18-26-220 / 2,4 45V26
71	18963211	Gas lens 17-18-26-220 / 3,2 45V27
72	17961021	Jumbo-Gas lens 17-18-26-220 / 1,0 45V0204
72	17961621	Jumbo-Gas lens 17-18-26-220 / 1,6 45V116
72	17962421	Jumbo-Gas lens 17-18-26-220 / 2,4 45V64
72	18963221	Jumbo-Gas lens 17-18-26-220 / 3,2 995795
73	17961031	Gas lens "Mini" SR 17-18-26 / 1,0 conversion kit
73	17961631	Gas lens "Mini" SR 17-18-26 / 1,6 conversion kit
73	17962431	Gas lens "Mini" SR 17-18-26 / 2,4 conversion kit
73	18963231	Gas lens "Mini" SR 17-18-26 / 3,2 conversion kit

SR 26**Welding-torch TIG gas-cooled with import torch body****240A at 60% duty cycle (DC) - 200A at 60% duty cycle (AC)**

Art.-No.		
74	18961003	Collet body "Mini" SR 17-18-26 1,0 conversion kit
74	18961603	Collet body "Mini" SR 17-18-26 1,6 conversion kit
74	18962403	Collet body "Mini" SR 17-18-26 2,4 conversion kit
74	18963203	Collet body "Mini" SR 17-18-26 / 1,0 - 3,2 17CB20 conversion kit
Brazen collets L-50mm for equipment line (A) standard collet body for equipment line (B) gas lens for equipment line (D) Jumbo gas lens		
75	17105002	Collet L50mm SR 17-18-26 wp-18SC / 1,0 10N22
75	17165002	Collet L50mm SR 17-18-26 wp-18SC / 1,6 10N23
75	17245002	Collet L50mm SR 17-18-26 wp-18SC / 2,4 10N24
75	18325002	Collet L50mm SR 17-18-26 wp-18SC / 3,2 10N25
Copper collets L-29mm for equipment line (E) gas lens mini for equipment line (F) standard collet body mini		
77	17103002	Collet L29mm SR 17-18-26 "Mini" 1,0 10N22S
77	17163002	Collet L29mm SR 17-18-26 "Mini" 1,6 10N23S
77	17243002	Collet L29mm SR 17-18-26 "Mini" 2,4 10N24S
77	18323002	Collet L29mm SR 17-18-26 "Mini" 3,2 10N25S
78	17089021	PTFE-Gas-lens insulator 17-18-26-220 54N01
79	17089031	PTFE-Gas-lens insulator Jumbo 17-18-26-220 54N63
Ceramic gas nozzles in different lengths for equipment line (A) standard collet body		
80	17930401	Ceramic gas nozzle L47mm 17-18-26-220 / Gr.4 10N50 (pu= 10pieces)
80	17930501	Ceramic gas nozzle L47mm 17-18-26-220 / Gr.5 10N49 (pu= 10pieces)
80	17930601	Ceramic gas nozzle L47mm 17-18-26-220 / Gr.6 10N48 (pu= 10pieces)
80	17930701	Ceramic gas nozzle L47mm 17-18-26-220 / Gr.7 10N47 (pu= 10pieces)
80	17930801	Ceramic gas nozzle L47mm 17-18-26-220 / Gr.8 10N46 (pu= 10pieces)
80	17930101	Ceramic gas nozzle L47mm 17-18-26-220 / Gr.10 10N45 (pu= 10pieces)
80	17930121	Ceramic gas nozzle L47mm 17-18-26-220 / Gr.12 10N44 (pu= 10pieces)
N.i.	17930404	Ceramic gas nozzle L76mm 17-18-26-220 / Gr.4 10N50L (pu= 10pieces)
N.i.	17930504	Ceramic gas nozzle L76mm 17-18-26-220 / Gr.5 10N49L (pu= 10pieces)
N.i.	17930604	Ceramic gas nozzle L76mm 17-18-26-220 / Gr.6 10N48L (pu= 10pieces)
N.i.	17930704	Ceramic gas nozzle L76mm 17-18-26-220 / Gr.7 10N47L (pu= 10pieces)
Ceramic gas nozzles in different lengths for equipment line (B) gas lens		
90	22093041	Gas nozzle for gas lens L42mm / Gr.4 54N18 (pu= 10pieces)
90	22093051	Gas nozzle for gas lens L42mm / Gr.5 54N17 (pu= 10pieces)
90	22093061	Gas nozzle for gas lens L42mm / Gr.6 54N16 (pu= 10pieces)
90	22093071	Gas nozzle for gas lens L42mm / Gr.7 54N15 (pu= 10pieces)
90	22093081	Gas nozzle for gas lens L42mm / Gr.8 54N14 (pu= 10pieces)
90	22093111	Gas nozzle for gas lens L42mm / Gr.11 54N19-11 (pu= 10pieces)
90	22093121	Gas nozzle for gas lens L42mm / Gr.12 54N19 (pu= 10pieces)
N.i.	22093054	Gas nozzle for gas lens L76mm / Gr.5 54N17L (pu= 10pieces)
N.i.	22093064	Gas nozzle for gas lens L76mm / Gr.6 54N16L (pu= 10pieces)

SR 26**Welding-torch TIG gas-cooled with import torch body****240A at 60% duty cycle (DC) - 200A at 60% duty cycle (AC)**

Art.-No.		
N.i.	22093074	Gas nozzle for gas lens L76mm / Gr.7 54N15L (pu= 10pieces)
Ceramic gas nozzles Jumbo in different lengths for equipment line (D) Jumbo gas lnes		
95	22093066	Jumbo gas nozzle L48mm / Gr.6 57N75 (pu= 10pieces)
95	22093086	Jumbo gas nozzle L48mm / Gr.8 57N74 (pu= 10pieces)
95	22093106	Jumbo gas nozzle L48mm / Gr.10 53N88 (pu= 10pieces)
95	22093126	Jumbo gas nozzle L48mm / Gr.12 53N87 (pu= 10pieces)
N.i.	22093067	Jumbo gas nozzle L73mm / Gr.6 57N75L (pu= 10pieces)
N.i.	22093087	Jumbo gas nozzle L73mm / Gr.8 57N74L (pu= 10pieces)
N.i.	22093107	Jumbo gas nozzle L73mm / Gr.10 53N88L (pu= 10pieces)
N.i.	22093127	Jumbo gas nozzle L73mm / Gr.12 53N87L (pu= 10pieces)
Ceramic gas nozzle for equipment line (E) gaslenses mini		
96	17930502	Ceramic gas nozzle L20mm SR 17-18-26 / Gr.5 fits gas lens "Mini" 53N59MS (pu= 10pieces)
96	17930602	Ceramic gas nozzle L20mm SR 17-18-26 / Gr.6 fits gas lens "Mini" 53N60MS (pu= 10pieces)
96	17930702	Ceramic gas nozzle L20mm SR 17-18-26 / Gr.7 fits gas lens "Mini" 53N61MS (pu= 10pieces)
96-C	17930006	Ceramic nozzle for gas lens Kir Royal 17-18-26 / fits tungsten electrodes up to 3,2mm
Ceramic gas nozzles different lengths for equipment line (F). Collet body standard mini		
97	20930401	Ceramic gas nozzle L30mm / Gr. 4 13N08 (pu= 10pieces)
97	20930501	Ceramic gas nozzle L30mm / Gr. 5 13N09 (pu= 10pieces)
97	20930601	Ceramic gas nozzle L30mm / Gr. 6 13N10 (pu= 10pieces)
97	20930701	Ceramic gas nozzle L30mm / Gr. 7 13N11 (pu= 10pieces)
97	20930801	Ceramic gas nozzle L30mm / Gr. 8 13N12 (pu= 10pieces)
97	20930101	Ceramic gas nozzle L30mm / Gr.10 13N13 (pu= 10pieces)
N.i.	20930304	Ceramic gas nozzle L48mm / Gr. 3 796F70 (pu= 10pieces)
N.i.	20930404	Ceramic gas nozzle L48mm / Gr. 4 796F71 (pu= 10pieces)
N.i.	20930504	Ceramic gas nozzle L48mm / Gr. 5 796F72 (pu= 10pieces)
o.A	20930604	Ceramic gas nozzle L48mm / Gr. 6 796F73 (pu= 10pieces)
N.i.	20930306	Ceramic gas nozzle L63mm / Gr. 3 796F74 (pu= 10pieces)
N.i.	20930406	Ceramic gas nozzle L63mm / Gr. 4 796F75 (pu= 10pieces)
N.i.	20930506	Ceramic gas nozzle L63mm / Gr. 5 796F76 (pu= 10pieces)
N.i.	20930606	Ceramic gas nozzle L63mm / Gr. 6 796F77 (pu= 10pieces)
N.i.	20930408	Ceramic gas nozzle L89mm / Gr. 4 796F79 (pu= 10pieces)

Premium tungsten electrodes of 8 different kinds in the appendix A.