

SR 17

gas-cooled

Different modular switch units available:
single push-button
double push-button
up/down (4 push-buttons)
single push-button with potentiometer

SR 17F

gas-cooled

SR 17V

gas-cooled

SR 17FV

gas-cooled

140 Amp./60% duty cycle (DC)
125 Amp./60% duty cycle (AC)

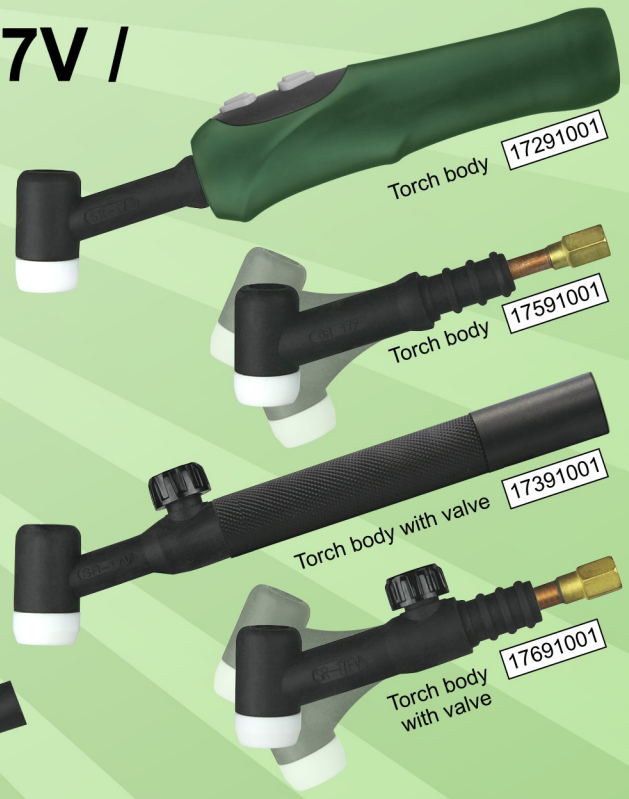
SR 17 / SR 17F / SR 17V / SR 17FV

gas-cooled

Equipment: **A** standard
B gas lens
D gas lens jumbo
E gas lens mini
F standard mini



O-ring red ID8-W2mm included
 17189001



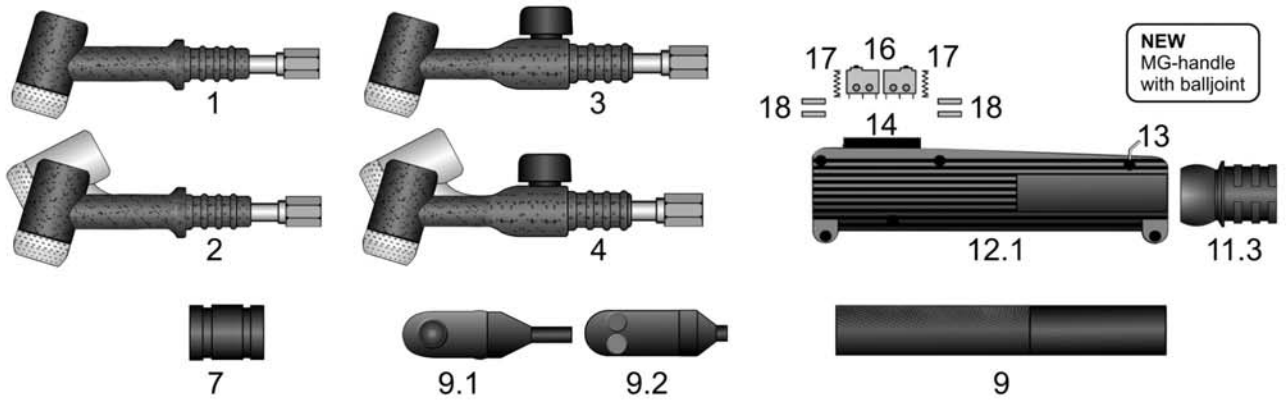
<p>A</p> <p>Collet L50mm 17 <input type="checkbox"/> 5002 for 1,0/1,6/2,4 18 <input type="checkbox"/> 5002 for 3,2/4,0 <input type="checkbox"/> Please fill in size</p> <p>Collet body 1796 <input type="checkbox"/> 02 for 1,0/1,6/2,4 1896 <input type="checkbox"/> 02 for 3,2/4,0 <input type="checkbox"/> Please fill in size</p> <p>Ceramic nozzle L47mm for standard collet body Please state size Also available in special length L76mm</p>	<p>B</p> <p>Gas lens insulator 17089021</p> <p>Collet L50mm 17 <input type="checkbox"/> 5002 for 1,0/1,6/2,4 18 <input type="checkbox"/> 5002 for 3,2/4,0 <input type="checkbox"/> Please fill in size</p> <p>Gas lens 1796 <input type="checkbox"/> 11 for 1,0/1,6/2,4 1896 <input type="checkbox"/> 11 for 3,2/4,0 <input type="checkbox"/> Please fill in size</p> <p>Ceramic nozzle L42mm for gas lens Please state size Also available in special length L76mm</p>	<p>D</p> <p>Gas lens insulator jumbo 17089031</p> <p>Collet L50mm 17 <input type="checkbox"/> 5002 for 1,0/1,6/2,4 18 <input type="checkbox"/> 5002 for 3,2/4,0 <input type="checkbox"/> Please fill in size</p> <p>Gas lens jumbo 1796 <input type="checkbox"/> 21 for 1,0/1,6/2,4 1896 <input type="checkbox"/> 21 for 3,2/4,0 <input type="checkbox"/> Please fill in size</p> <p>Ceramic nozzle L48mm for gas lens jumbo Please state size</p>	<p>E</p> <p>Kir Royal argon nozzle fits equipment line E 17930006 for 1,0 - 3,2 with firmly built-in sieves for perfect gas circulation</p> <p>Collet L29mm 17 <input type="checkbox"/> 3002 for 1,0/1,6/2,4 18323002 for 3,2 <input type="checkbox"/> Please fill in size</p> <p>Gas lens mini 1796 <input type="checkbox"/> 31 for 1,0/1,6/2,4 18963231 for 3,2 <input type="checkbox"/> Please fill in size</p> <p>Ceramic nozzle L20mm for gas lens mini Please state size</p>	<p>F</p> <p>Collet L29mm 17 <input type="checkbox"/> 3002 for 1,0/1,6/2,4 18323002 for 3,2 <input type="checkbox"/> Please fill in size</p> <p>Collet body mini 1796 <input type="checkbox"/> 03 for 1,0/1,6/2,4 18963203 for 3,2 <input type="checkbox"/> Please fill in size</p> <p>Ceramic nozzle L30mm for standard collet body mini Please state size Also available in special lengths L48mm / L63mm / L89mm</p>
---	--	---	---	--

HSN 734AB-1

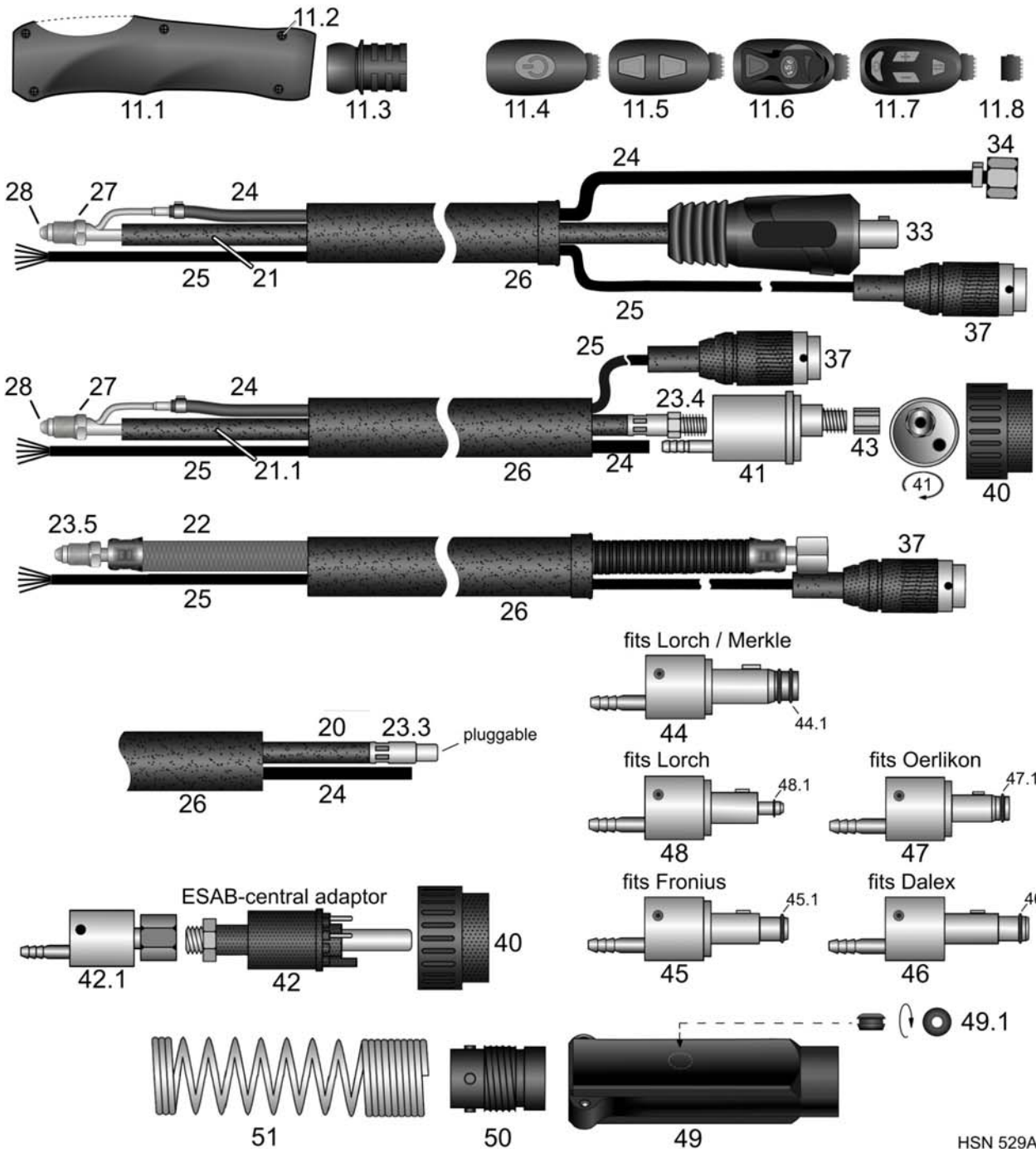
SR 17 gas-cooled



140 Ampere at 60% duty cycle (DC) - 125 Ampere at 60% duty cycle (AC)



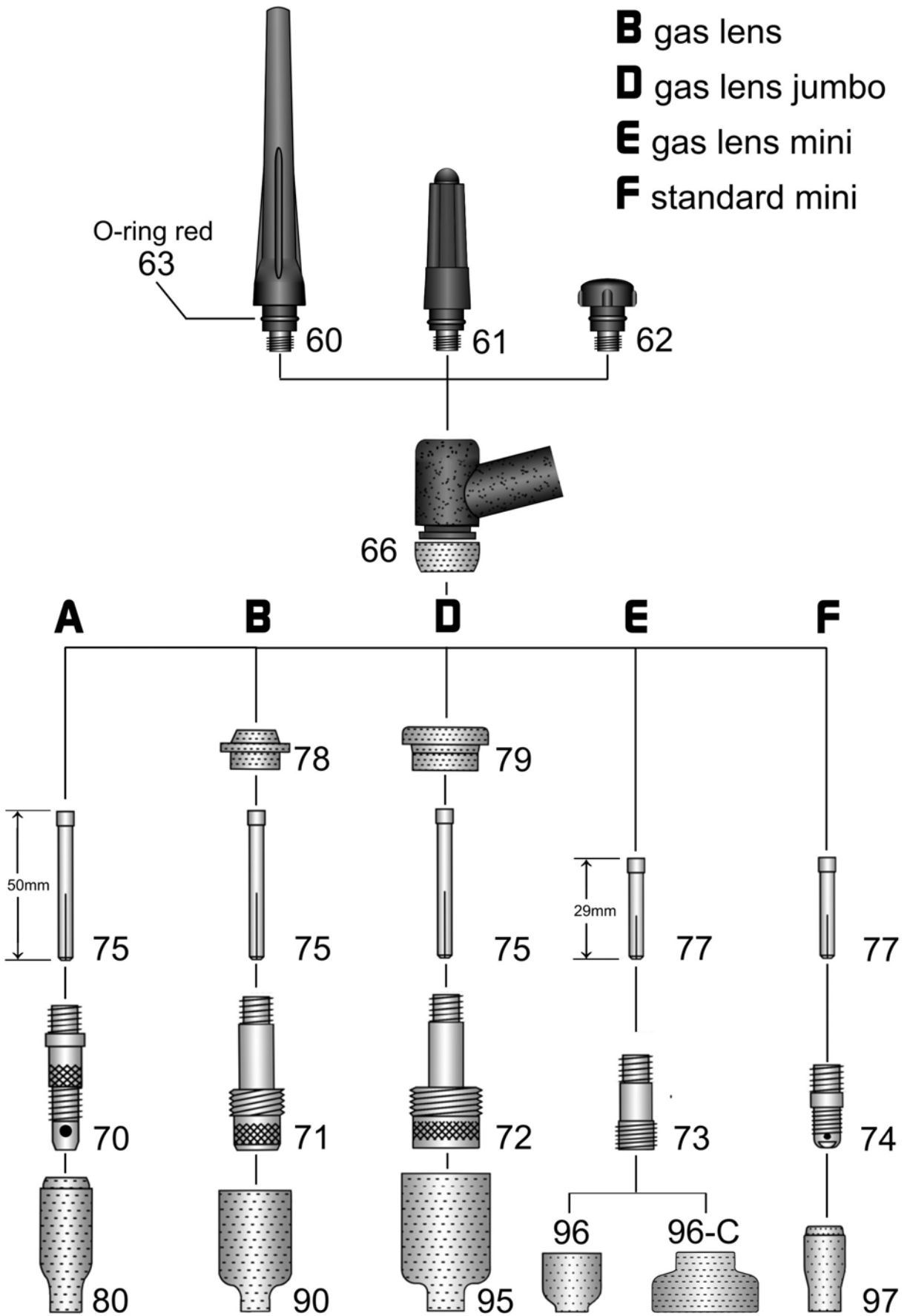
Forma WIG-handle with ball joint - different modular switch units - special switching modules on request



HSN 529AB-1



Equipment: **A** standard
B gas lens
D gas lens jumbo
E gas lens mini
F standard mini



SR 17

Welding-torch TIG gas-cooled with import torch body

140A at 60% duty cycle (DC) - 125A at 60% duty cycle (AC)

Art.-No.

Torches with first meter leather hose. Machine side separate connections with Tuchel-plug.

In variation to the torches listed below, the torches can also be produced with other power/ gas cables (e.g. HT 180 silicone superflexible). This can also be combined with hoses in a lot of different qualities. Torches and cable assemblies can be produced in excess lengths. Please find the different options and surcharges in the appendix C "Custom made products". We produce torches for more than 40 different brands of machines with different connection systems.

17200401 Torch SR 17 / 4m

17200801 Torch SR 17 / 8m

17500401 FLEX-torch SR 17F / 4m neck flexible

17500801 FLEX-torch SR 17F / 8m neck flexible

17300401 Valve torch SR 17V / 4m

17300801 Valve torch SR 17V / 8m

17600401 FLEX-Valve torch SR 17FV / 4m neck flexible

17600801 FLEX-Valve torch SR 17FV / 8m neck flexible

TIG-spare cable assemblies, either with separate connections, or for the following connection systems.

wig92401 TIG-spare cable assembly gas-cooled 4m - please state desired design!

wig92801 TIG-spare cable assembly gas-cooled 8m - please state desired design!

The following machine side connections are only listed for fast price finding purposes. In our catalogue "TIG machine side connections" you'll find technical information specifying a machine side connection.

29000101 Surcharge: machine side with EURO central adapter

29002005 Surcharge: machine side power/gas plug fits Lorch/Merkle with 2 O-rings

29002004 Surcharge: machine side power/gas plug fits Fronius with 1 O-ring

29002006 Surcharge: machine side power/gas plug fits Dalex with 1 O-ring

29002107 Surcharge: machine side power/gas plug fits Oerlikon with 1 O-ring

29002002 Surcharge: machine side power/gas plug fits Lorch SK35 + gas-nipple

29000112 Surcharge: machine side fits ESAB central adapter, 4 pins installed at position 3,4,5,6

Please be aware that further surcharges may apply for some special control-line plugs. See appendix D.

1 17291001 Torch body SR 17 shaft Ø 15mm

2 17591001 Torch body SR 17F neck flexible (FLEX) shaft Ø 15,0mm or 16,5mm

3 17391001 Valve-torch body SR 17V shaft Ø 15mm

4 17691001 Valve-torch body SR 17FV neck flexible (FLEX) shaft Ø 15mm

7 91914811 Rubber adapter fits Forma and MG handles for shaft Ø 15mm

N.i. 91914812 Rubber adapter fits Forma and MG handles for shaft Ø 16,5mm

9 17108802 Import handling-tube H-100 SR 9-17-20 ID15,0mm

N.i. 17108803 Import handling-tube H-100 SR 9-17-20 ID16,5mm

9.1 10089001 Single stroke button (rubber)

9.2 91921301 Doublepush button red/green

N.i. 17089001 One-hole shrinking hose switch sleeve ID39mm - min 13mm

N.i. 17089002 Two-hole shrinking hose switch sleeve ID39mm - min 13mm

SR 17

Welding-torch TIG gas-cooled with import torch body

140A at 60% duty cycle (DC) - 125A at 60% duty cycle (AC)

Art.-No.	
11.1	91914601 Forma TIG handle with screws, ball joint, without modular switch unit
11.2	91914602 Forma screw for handle
11.3	91914603 Forma hose bracket with ball joint ID21,5mm (also fits MG-handle)
11.4	91914611 Forma modular switch unit: 1 button with connecting adapter
11.5	91914621 Forma modular switch unit: 2 buttons with connecting adapter
11.6	91914631 Forma modular switch unit: 1 button + potentiometer (10k) with connecting adapter
11.7	91914641 Forma modular switch unit: 2 buttons + up/down (4 switches) with connecting adapter
11.8	91914651 Forma connecting adapter fits control line to modular switch unit
N.i.	91914661 Forma switch module safety nipple
12.1	91914061 MG-handle with ball joint, push-button, 2 return springs, 2 microswitches and 4 cylindrical pins
13	91914421 MG-tapping screw
14	91915002 MG-push button
16	91914121 MG-microswitch
17	91914221 MG-return spring
18	91914321 MG-cylindrical pin
20	17941403 Powercable 25mm ² SR 9-17 / 4m fits power/gas plugs + power gas junction (pgj)
20	17941803 Powercable 25mm ² SR 9-17 / 8m fits power/gas plugs + power gas junction (pgj)
21	17941402 Power cable 25mm ² SR 9-17 / 4m with SK25 or SK35 <--- please state!
21	17941802 Power cable 25mm ² SR 9-17 / 8m with SK25 or SK35 <--- please state!
21.1	17941404 Powercable 25mm ² SR 9-17 / 4m fits EURO central adapter (OT-M10x1)
21.1	17941804 Powercable 25mm ² SR 9-17 / 8m fits EURO central adapter (OT-M10x1)
The following power-/ gas cables are produced with an inner thread connection M10x1 to fit an Euro-central adapter	
For 4m long torches:	
N.i.	17941411 ST 80 PVC-NIT power/gas conduit 17,31mm ² SR 9-17 / 4m
N.i.	17944413 HT 110 rubber fabric hose power/gas conduit 17,31mm ² SR 9-17 / 4m
N.i.	17941415 HT 130 TPE power/gas conduit 17,31mm ² SR 9-17 / 4m
N.i.	17941418 HT 180 silicone super flexible power/gas conduit 17,31mm ² SR 9-17 / 4m
For 8m long torches:	
N.i.	17941811 ST 80 PVC-NIT power/gas conduit 17,31mm ² SR 9-17 / 8m
N.i.	17944813 HT 110 rubber fabric hose power/gas conduit 17,31mm ² SR 9-17 / 8m
N.i.	17941815 HT 130 TPE power/gas conduit 17,31mm ² SR 9-17 / 8m
N.i.	17941818 HT 180 silicone super flexible power/gas conduit 17,31mm ² SR 9-17 / 8m
Please state the machine side connection for the following power/ gas cables.	
For 4m long torches:	
22	17941401 ST 80 PVC-NIT power/gas conduit 17,31mm ² SR 9-17 / 4m
22	17944403 HT 110 rubber fabric hose power/gas conduit 17,31mm ² SR 9-17 / 4m
22	17941405 HT 130 TPE power/gas conduit 17,31mm ² SR 9-17 / 4m
22	17941408 HT 180 silicone super flexible power/gas conduit 17,31mm ² SR 9-17 / 4m
For 8m long torches:	
22	17941801 ST 80 PVC-NIT power/gas conduit 17,31mm ² SR 9-17 / 8m
22	17944803 HT 110 rubber fabric hose power/gas conduit 17,31mm ² SR 9-17 / 8m
22	17941805 HT 130 TPE power/gas conduit 17,31mm ² SR 9-17 / 8m
22	17941808 HT 180 silicone super flexible power/gas conduit 17,31mm ² SR 9-17 / 8m

SR 17**Welding-torch TIG gas-cooled with import torch body****140A at 60% duty cycle (DC) - 125A at 60% duty cycle (AC)**

Art.-No.		
23.3	22089056	TIG-Power cable connector pluggable ID7,2mm fits 25mm ² for power/gas plugs + pgj
23.4	22089053	TIG-Power cable connector OT-M10x1 ID7,2mm fits 25mm ²
23.5	90380002	Power connector AD9mm OT-3/8"UNF-rechts
Reel goods:		
Prices are given per meter and only valid for purchase of complete reels		
24	41500001	Meter ST 70 PVC hose ID4,0-W1,5mm black for gas (100m)
24	41500005	Meter HT 130 TPE hose ID4,0-W1,5mm grey for gas (100m)
N.i.	91902701	Meter control line 3x0,34mm ² shielded black (100m)
N.i.	91902711	Meter control line 3x0,5mm ² green (100m)
25	91902721	Meter control line 5x0,25mm ² grey (100m)
26	20150002	Meter neoprene protective hose ID20mm black (40m)
27	91907701	Power cable connector separate lines SR 9-17 OT-3/8" UNF-right-hand thread
28	91907712	Hose connector long for separate lines SR 9-17
N.i.	91915004	Leather protective hose ID22mm / 1 meter long
N.i.	91915007	Leather protective hose ID22mm / 1 meter long with ball joint and hose connector
N.i.	91915013	Hose connector leather protective hose / protection hose ID22,5mm (black) with slot, OD with grooves
33	91918201	Powercable-plug SK-25 bayonet connection AD8mm
N.i.	91918321	Powercable plug SK25 with separate gas inlet, power-/gas connection OT-M12x1
33	91918301	Powercable-plug SK-35 bayonet connection AD13mm
N.i.	91918311	Powercable plug SK35 with separate gas inlet, power-/gas connection OT-M12x1
34	91901501	Coupling nut IT-G1/4"
N.i.	91901211	Hose connector 4mm fits coupling nut R1/4"
37	91904101	Plug 3-poles Tuchel with bayonet-catch
37	91904111	Plug 5-poles Tuchel with bayonet-catch
More control line plugs please see appendix D.		
40	91900701	Terminal nut insulated fits EURO central adapter
41	91900122	TIG central adapter EURO (fits separate lines)
N.i.	91900121	TIG-central adapter EURO central adapter with IT-M10x1 (fits power/gas conduit)
42	91900301	TIG central adapter identical ESAB, 4 contact pins at position 3,4,5,6
42.1	91918561	TIG power gas junction (pgj) fits ESAB central adapter
43	91900901	Swivel nut IT-M10x1 (rounded edges) fits EURO central adapter
44	9190411n	Power/gas plug fits Lorch / Merkle with 2 O-rings / power connection like pgj
44.1	81600001	O-ring ID8-W1,6mm fits Lorch/Merkle
45	91918326	Power/gas plug fits Fronius with 1 O-ring / power connection like pgj
45.1	62190001	O-ring ID6,2-W1,9mm fits Fronius
46	9190416e	Power/gas plug fits Dalex with 1 O-ring / power connection like pgj
46.1	63240001	O-ring ID6,3-W2,4mm fits Dalex
47	9190422n	Power/gas plug fits Oerlikon with 1 O-ring / power connection like pgj
47.1	60717801	O-ring ID6,07-W1,78mm fits Oerlikon
48	9190421n	Power/gas plug fits Lorch Sk35 + gas-nipple / power connection like pgj
48.1	91900801	O-ring ID4-W1mm fits gas-nipple EURO central adapter
49	91900556	TIG cable support short with screws (fits gas-cooled)
N.i.	91920702	Screw M3x11,5mm fits Ratio/Industry/RAUCH handle and cable support

SR 17**Welding-torch TIG gas-cooled with import torch body****140A at 60% duty cycle (DC) - 125A at 60% duty cycle (AC)**

Art.-No.		
N.i.	91920703	M3 mounting socket fits Ratio/Industry/RAUCH handle and cable support
N.i.	91900602	Screw M4x6mm fits TIG cable support short
49.1	91901012	Reduction-eyelet (rubber) from ID10,5mm to ID5mm fits TIG cable support short
50	91912801	Spring-socket fits cable support
51	91912601	Cable support spring
N.i.	91900552	TIG cable support long (like MIG-MAG) with screws fits ESAB central adapter
N.i.	91900554	Attachment screw M4x8mm fits ESAB central adapter
60	17191312	Import back cap SR 17-18-26 long
61	17191322	Import back cap medium (USA version with red O-ring) SR 17-18-26 57Y03
62	17191302	Import back cap SR 17-18-26 short
63	17189001	O-ring red ID8-W2mm for back cap
66	17289021	PTFE-isolator SR 17-18-26 18CG
70	17961002	Collet body 17-18-26-220 / 1,0 10N30
70	17961602	Collet body 17-18-26-220 / 1,6 10N31
70	17962402	Collet body 17-18-26-220 / 2,4 10N32
71	17961011	Gas lens 17-18-26-220 / 1,0 45V24
71	17961611	Gas lens 17-18-26-220 / 1,6 45V25
71	17962411	Gas lens 17-18-26-220 / 2,4 45V26
72	17961021	Jumbo-Gas lens 17-18-26-220 / 1,0 45V0204
72	17961621	Jumbo-Gas lens 17-18-26-220 / 1,6 45V116
72	17962421	Jumbo-Gas lens 17-18-26-220 / 2,4 45V64
73	17961031	Gas lens "Mini" SR 17-18-26 / 1,0 conversion kit
73	17961631	Gas lens "Mini" SR 17-18-26 / 1,6 conversion kit
73	17962431	Gas lens "Mini" SR 17-18-26 / 2,4 conversion kit
74	18961003	Collet body "Mini" SR 17-18-26 1,0 conversion kit
74	18961603	Collet body "Mini" SR 17-18-26 1,6 conversion kit
74	18962403	Collet body "Mini" SR 17-18-26 2,4 conversion kit
74	18963203	Collet body "Mini" SR 17-18-26 / 1,0 - 3,2 17CB20 conversion kit
Brazen collets L-50mm for equipment line (A) standard collet body for equipment line (B) gas lens for equipment line (D) Jumbo gas lens		
75	17105002	Collet L50mm SR 17-18-26 wp-18SC / 1,0 10N22
75	17165002	Collet L50mm SR 17-18-26 wp-18SC / 1,6 10N23
75	17245002	Collet L50mm SR 17-18-26 wp-18SC / 2,4 10N24
Copper collets L-29mm for equipment line (E) gas lens mini for equipment line (F) standard collet body mini		
77	17103002	Collet L29mm SR 17-18-26 "Mini" 1,0 10N22S
77	17163002	Collet L29mm SR 17-18-26 "Mini" 1,6 10N23S
77	17243002	Collet L29mm SR 17-18-26 "Mini" 2,4 10N24S

SR 17**Welding-torch TIG gas-cooled with import torch body****140A at 60% duty cycle (DC) - 125A at 60% duty cycle (AC)**

Art.-No.		
78	17089021	PTFE-Gas-lens insulator 17-18-26-220 54N01
79	17089031	PTFE-Gas-lens insulator Jumbo 17-18-26-220 54N63
Ceramic gas nozzles in different lengths for equipment line (A) standard collet body		
80	17930401	Ceramic gas nozzle L47mm 17-18-26-220 / Gr.4 10N50 (pu= 10pieces)
80	17930501	Ceramic gas nozzle L47mm 17-18-26-220 / Gr.5 10N49 (pu= 10pieces)
80	17930601	Ceramic gas nozzle L47mm 17-18-26-220 / Gr.6 10N48 (pu= 10pieces)
80	17930701	Ceramic gas nozzle L47mm 17-18-26-220 / Gr.7 10N47 (pu= 10pieces)
80	17930801	Ceramic gas nozzle L47mm 17-18-26-220 / Gr.8 10N46 (pu= 10pieces)
80	17930101	Ceramic gas nozzle L47mm 17-18-26-220 / Gr.10 10N45 (pu= 10pieces)
80	17930121	Ceramic gas nozzle L47mm 17-18-26-220 / Gr.12 10N44 (pu= 10pieces)
N.i.	17930404	Ceramic gas nozzle L76mm 17-18-26-220 / Gr.4 10N50L (pu= 10pieces)
N.i.	17930504	Ceramic gas nozzle L76mm 17-18-26-220 / Gr.5 10N49L (pu= 10pieces)
N.i.	17930604	Ceramic gas nozzle L76mm 17-18-26-220 / Gr.6 10N48L (pu= 10pieces)
N.i.	17930704	Ceramic gas nozzle L76mm 17-18-26-220 / Gr.7 10N47L (pu= 10pieces)
Ceramic gas nozzles in different lengths for equipment line (B) gas lens		
90	22093041	Gas nozzle for gas lens L42mm / Gr.4 54N18 (pu= 10pieces)
90	22093051	Gas nozzle for gas lens L42mm / Gr.5 54N17 (pu= 10pieces)
90	22093061	Gas nozzle for gas lens L42mm / Gr.6 54N16 (pu= 10pieces)
90	22093071	Gas nozzle for gas lens L42mm / Gr.7 54N15 (pu= 10pieces)
90	22093081	Gas nozzle for gas lens L42mm / Gr.8 54N14 (pu= 10pieces)
90	22093111	Gas nozzle for gas lens L42mm / Gr.11 54N19-11 (pu= 10pieces)
90	22093121	Gas nozzle for gas lens L42mm / Gr.12 54N19 (pu= 10pieces)
N.i.	22093054	Gas nozzle for gas lens L76mm / Gr.5 54N17L (pu= 10pieces)
N.i.	22093064	Gas nozzle for gas lens L76mm / Gr.6 54N16L (pu= 10pieces)
N.i.	22093074	Gas nozzle for gas lens L76mm / Gr.7 54N15L (pu= 10pieces)
Ceramic gas nozzles Jumbo in different lengths for equipment line (D) Jumbo gas lens		
95	22093066	Jumbo gas nozzle L48mm / Gr.6 57N75 (pu= 10pieces)
95	22093086	Jumbo gas nozzle L48mm / Gr.8 57N74 (pu= 10pieces)
95	22093106	Jumbo gas nozzle L48mm / Gr.10 53N88 (pu= 10pieces)
95	22093126	Jumbo gas nozzle L48mm / Gr.12 53N87 (pu= 10pieces)
N.i.	22093067	Jumbo gas nozzle L73mm / Gr.6 57N75L (pu= 10pieces)
N.i.	22093087	Jumbo gas nozzle L73mm / Gr.8 57N74L (pu= 10pieces)
N.i.	22093107	Jumbo gas nozzle L73mm / Gr.10 53N88L (pu= 10pieces)
N.i.	22093127	Jumbo gas nozzle L73mm / Gr.12 53N87L (pu= 10pieces)
Ceramic gas nozzle for equipment line (E) gaslenses mini		
96	17930502	Ceramic gas nozzle L20mm SR 17-18-26 / Gr.5 fits gas lens "Mini" 53N59MS (pu= 10pieces)
96	17930602	Ceramic gas nozzle L20mm SR 17-18-26 / Gr.6 fits gas lens "Mini" 53N60MS (pu= 10pieces)
96	17930702	Ceramic gas nozzle L20mm SR 17-18-26 / Gr.7 fits gas lens "Mini" 53N61MS (pu= 10pieces)
96-C	17930006	Ceramic nozzle for gas lens Kir Royal 17-18-26 / fits tungsten electrodes up to 3,2mm

SR 17**Welding-torch TIG gas-cooled with import torch body****140A at 60% duty cycle (DC) - 125A at 60% duty cycle (AC)****Art.-No.**

Ceramic gas nozzles different lengths for equipment line (F). Collet body standard mini		
97	20930401	Ceramic gas nozzle L30mm / Gr. 4 13N08 (pu= 10pieces)
97	20930501	Ceramic gas nozzle L30mm / Gr. 5 13N09 (pu= 10pieces)
97	20930601	Ceramic gas nozzle L30mm / Gr. 6 13N10 (pu= 10pieces)
97	20930701	Ceramic gas nozzle L30mm / Gr. 7 13N11 (pu= 10pieces)
97	20930801	Ceramic gas nozzle L30mm / Gr. 8 13N12 (pu= 10pieces)
97	20930101	Ceramic gas nozzle L30mm / Gr.10 13N13 (pu= 10pieces)
N.i.	20930304	Ceramic gas nozzle L48mm / Gr. 3 796F70 (pu= 10pieces)
N.i.	20930404	Ceramic gas nozzle L48mm / Gr. 4 796F71 (pu= 10pieces)
N.i.	20930504	Ceramic gas nozzle L48mm / Gr. 5 796F72 (pu= 10pieces)
o.A	20930604	Ceramic gas nozzle L48mm / Gr. 6 796F73 (pu= 10pieces)
N.i.	20930306	Ceramic gas nozzle L63mm / Gr. 3 796F74 (pu= 10pieces)
N.i.	20930406	Ceramic gas nozzle L63mm / Gr. 4 796F75 (pu= 10pieces)
N.i.	20930506	Ceramic gas nozzle L63mm / Gr. 5 796F76 (pu= 10pieces)
N.i.	20930606	Ceramic gas nozzle L63mm / Gr. 6 796F77 (pu= 10pieces)
N.i.	20930408	Ceramic gas nozzle L89mm / Gr. 4 796F79 (pu= 10pieces)

Premium tungsten electrodes of 8 different kinds in the appendix A.