

MHS Mikro-21(2)

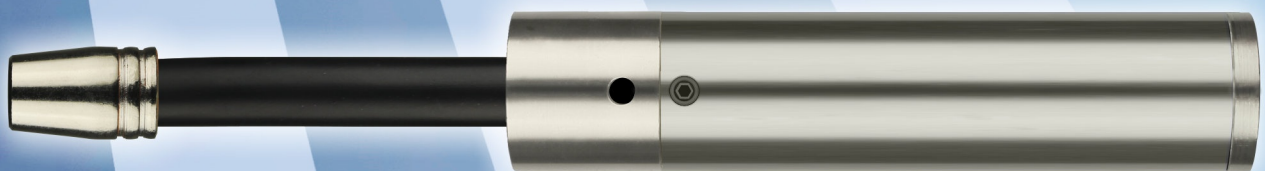
with screwable gas nozzle
gas-cooled



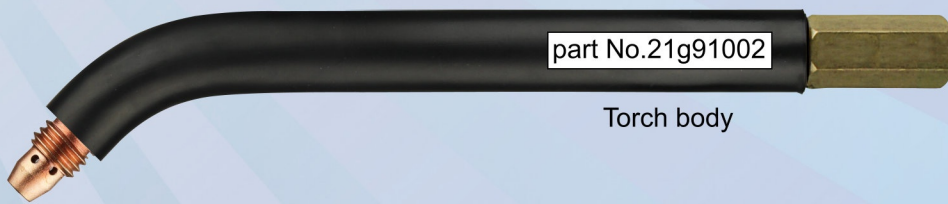
210 Amp./50% duty cycle (CO₂)
190 Amp./50% duty cycle (mixed gas)

Spare parts like:

MHS Mikro-201(2) water-cooled



MHS Mikro-21(2) with screwable gas nozzle gas-cooled



part No.21g91002

Torch body



Gas nozzle conical ID12,5 mm
part No. 20193002



Contact tip M6 - L 15mm
part No. 615□401(CuCrZr)
□ Please fill in wire diameter



Ball joint
part No. 91912704



Ratio-handle with ball joint
part No. 91912534



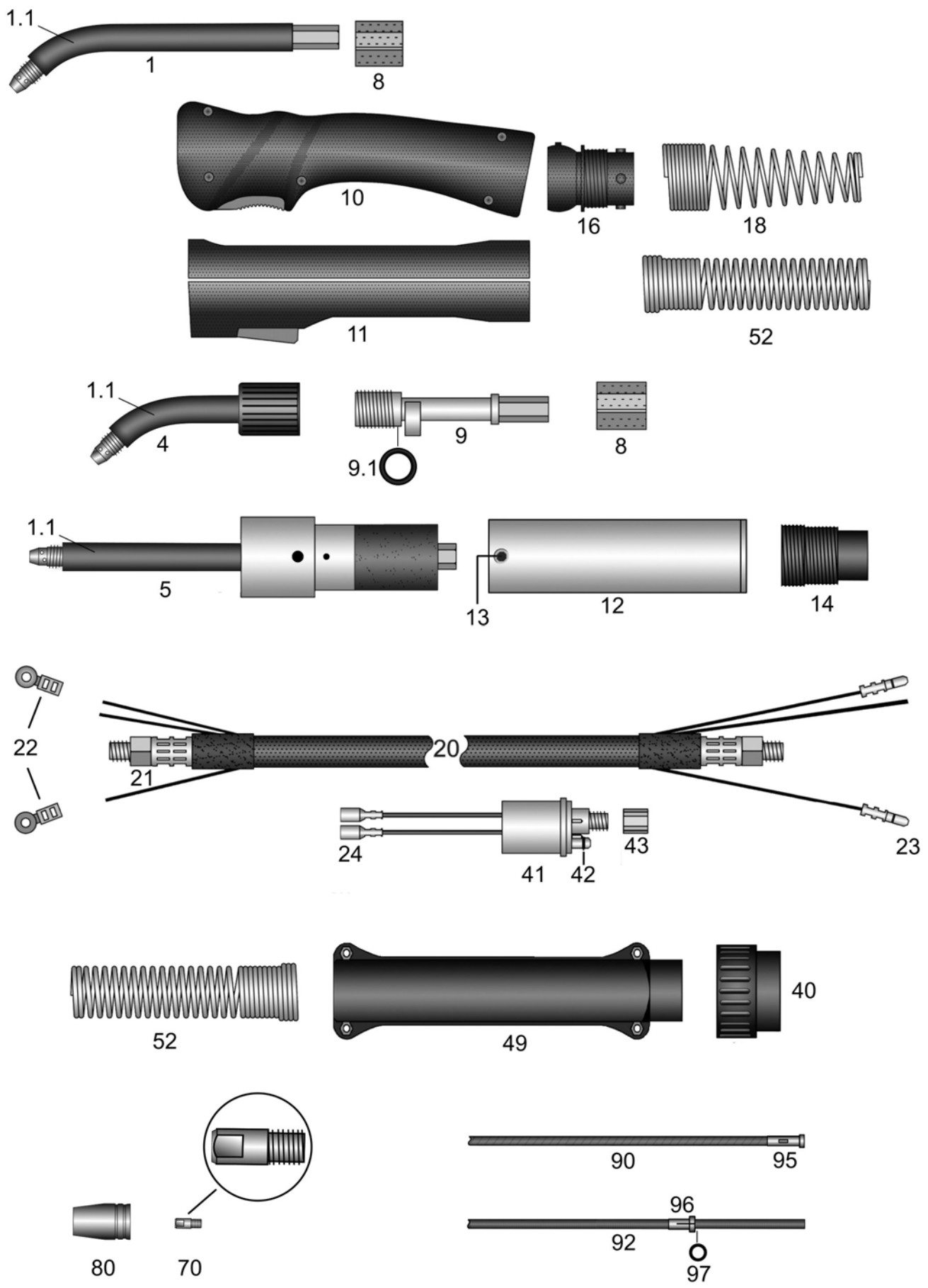
Industry-handle with ball joint
part No. 91912101

HSN 969



MHS Mikro-21(2) gas-cooled

210 Ampere at 50% duty cycle(CO₂) - 190 Ampere at 50% duty cycle(mixed gas)



MHS Mikro-21(2)

Welding-torch MIG-MAG gas-cooled

210A at 50% duty cycle (CO₂) - 190A at 50% duty cycle (mixed gas)

Art.-No.

Spare parts as torch MHS Mikro-201(2) water-cooled

21g00312 Torch MHS Mikro-21(2) / 3m EURO central adapter 25mm²

21g00412 Torch MHS Mikro-21(2) / 4m EURO central adapter 25mm²

21g00512 Torch MHS Mikro-21(2) / 5m EURO central adapter 25mm²

21g10312 DR torch MHS Mikro-21(2) / 3m EURO central adapter 25mm²

21g10412 DR torch MHS Mikro-21(2) / 4m EURO central adapter 25mm²

21g10512 DR torch MHS Mikro-21(2) / 5m EURO central adapter 25mm²

21g50312 AUTomatic-torch MHS Mikro-21(2) / 3m EURO central adapter 25mm²

21g15312 DR AUTomatic-torch MHS Mikro-21(2) / 3m EURO central adapter 25mm²

**For torches without EURO central-adaptor the following prices apply.
Please note that for some special machine side connections surcharges may arise,
which you will find in the appendix "A" custom made products.**

21g00302 Torch MHS Mikro-21(2) / 3m 25mm²

21g00402 Torch MHS Mikro-21(2) / 4m 25mm²

21g00502 Torch MHS Mikro-21(2) / 5m 25mm²

21g10302 DR torch MHS Mikro-21(2) / 3m 25mm²

21g10402 DR torch MHS Mikro-21(2) / 4m 25mm²

21g10502 DR torch MHS Mikro-21(2) / 5m 25mm²

21g50302 AUTomatic-torch MHS Mikro-21(2) / 3m 25mm²

21g15302 DR AUTomatic-torch MHS Mikro-21(2) / 3m 25mm²

**Special lengths for hand- and AUTomatic-torches
please notice appendix "B".**

pg000001 Surcharge: Pistol-shape-handle / stabilizer

N.i. 91912453 Heat protection shield for pistol handle, screws included

**Torch body and AUTomatic torch body with contact tip CuCrZr 1,0 nickel coated
and gas nozzle conical-ID12,5mm.
Not included: additional silicone/glass insulating hose (20191021)**

1 21g91002 Swan neck MHS Mikro-21(2)

1.1 s2480200 Section of insulation shrinking hose

4 21g19102 DR swan neck MHS Mikro-21(2)

5 21g91502 AUTomatic-torch body MHS Mikro-21(2)

N.i. 20191021 Section of silicone/glas insulating hose ID12,6-L125mm
heat resistant up to 200°C

8 15912301 Polyamid-torch body

9 15912602 DR Torch body brass fits ratio handle

9 15912601 DR Torch body brass fits industry-handle

N.i. 15912651 Auxiliary torch body fits coaxial cable

9.1 91903604 O-ring ID19-W2,4mm

**Handles complete with switch and screws
Ball joints or sockets are also included**

10 91912534 Ratio-handle 16mm with ball joint

MHS Mikro-21(2)

Welding-torch MIG-MAG gas-cooled

210A at 50% duty cycle (CO₂) - 190A at 50% duty cycle (mixed gas)

Art.-No.		
10	91912434	Ratio-handle 16mm (**without ball joint**)
N.i.	91912438	Ratio microswitch DC2
N.i.	91912439	Push button red for Ratio handle also fits RAUCH handle
N.i.	91912441	Spring fits button Ratio grip handle and RAUCH grip handle
11	91912101	Industry-handle 16mm with ball joint
11	91912231	Industry-handle 16mm (**without ball joint**)
N.i.	91920411	Switch-set fits industry-handle for 16/18/20mm (11 parts)
N.i.	91920702	Screw M3x11,5mm fits Ratio/Industry/RAUCH handle and cable support
N.i.	91920703	M3 mounting socket fits Ratio/Industry/RAUCH handle and cable support
12	91912901	AUT handle tube, brass-cladded AD38mm for AUT-torch rubber cable support
13	91912911	Holding screw M4x6mm for AUT handle tube OD38mm
14	15912801	Rubber cable-support small for coaxial-cable
16	91912704	Spring socket pistol side fits handle with ball joint
18	91912503	Cable support spring handle-side for torches with ball joint
20	15920311	Coaxial-cable 25mm ² / 3m fits EURO central adapter
20	15920411	Coaxial-cable 25mm ² / 4m fits EURO central adapter
20	15920511	Coaxial-cable 25mm ² / 5m fits EURO central adapter
21	15912211	Lock-nut M10x1-L9,5mm for coaxial-cable
22	91902811	Cable-plug fits industry-handle
23	91902901	Male connector cable-plug for machine side EURO central adapter
24	91903001	Female connector cable-plug fits machine side EURO central adapter
40	91900701	Terminal nut insulated fits EURO central adapter
41	91900101	Central adapter fixed contact-pins EURO central adapter
41	91900106	Central adapter spring contact-pins EURO central adapter
42	91900801	O-ring ID4-W1mm fits gas-nipple EURO central adapter
43	91900901	Swivel nut IT-M10x1 (rounded edges) fits EURO central adapter
49	91900561	Cable support machine side (screws included) fits EURO central adapter
N.i.	91920702	Screw M3x11,5mm fits Ratio/Industry/RAUCH handle and cable support
N.i.	91920703	M3 mounting socket fits Ratio/Industry/RAUCH handle and cable support
N.i.	91900601	Attachment screw M4x6mm fits cable support EURO central adapter
52	91912502	Cable support spring fits handles without ball joint and for EURO
70	61508401	Contact tip M6-L15mm 0,8 CuCrZr nickel-plated
70	61510401	Contact tip M6-L15mm 1,0 CuCrZr nickel-plated
70	61512401	Contact tip M6-L15mm 1,2 CuCrZr nickel-plated
80	20193002	Gas nozzle conical-ID12,5mm L32mm
Spirals and liners also available in other sizes on inquiry!		
90	15451311	Guide spiral-liner blue ID1,5-AD4,5 fits 3m / EURO central adapter
90	15451411	Guide spiral-liner blue ID1,5-AD4,5 fits 4m / EURO central adapter
90	15451511	Guide spiral-liner blue ID1,5-AD4,5 fits 5m / EURO central adapter
90	20451311	Guide spiral-liner red ID2,0-AD4,5 fits 3m / EURO central adapter
90	20451411	Guide spiral-liner red ID2,0-AD4,5 fits 4m / EURO central adapter

MHS Mikro-21(2)

Welding-torch MIG-MAG gas-cooled

210A at 50% duty cycle (CO₂) - 190A at 50% duty cycle (mixed gas)

Art.-No.		
90	20451511	Guide spiral-liner red ID2,0-AD4,5 fits 5m / EURO central adapter
92	20393311	PTFE-carbon core liner ID2,0-AD3,9 fits 3m / EURO central adapter
92	20393411	PTFE-carbon core liner ID2,0-AD3,9 fits 4m / EURO central adapter
92	20393511	PTFE-carbon core liner ID2,0-AD3,9 fits 5m / EURO central adapter
92	20406311	Carbon-PA core liner ID2,0-AD4,0 fits 3m / EURO central adapter
92	20406411	Carbon-PA core liner ID2,0-AD4,0 fits 4m / EURO central adapter
92	20406511	Carbon-PA core liner ID2,0-AD4,0 fits 5m / EURO central adapter
92	20404311	ULTRA-liner (brown) ID2,0-OD4,0 fits 3m / EURO central adapter
92	20404411	ULTRA-liner (brown) ID2,0-OD4,0 fits 4m / EURO central adapter
92	20404511	ULTRA-liner (brown) ID2,0-OD4,0 fits 5m / EURO central adapter
N.i.	20405002	Brass spiral liner (marked blue) ID2,0-OD4,0mm L300mm fits liner OD3,9/4,0mm
N.i.	25405002	Bronze spiral liner (marked blue) ID2,5-OD4,0mm L300mm fits liner OD3,9/4,0mm
95	91905711	Nipple (brass L-30mm) fits spiral liner EURO central adapter AD3,9/4,0mm
96	91906111	Nipple fits core liner EURO central adapter AD3,9/4,0mm
97	91906131	O-ring ID3,5-W1,5mm fits core liners
N.i.	91906112	Support tube, brass ID4,4 - AD5,0 - L200mm
Mounting spiral for use with DR Torch Bodies (shorten as needed)		
N.i.	dr193901	Mounting spiral (steel) for DR torches L250mm ID1,9-AD3,9mm complete with slotted outer gas conduit
N.i.	dr253901	Mounting spiral (steel) for DR torches L250mm ID2,5-AD3,9mm complete with slotted outer gas conduit
N.i.	dr204001	Mounting spiral (brass) for DR torches L250mm ID2,0-AD4,0mm complete with slotted outer gas conduit
N.i.	dr254001	Mounting spiral (bronze) for DR torches L250mm ID2,5-AD4,0mm complete with slotted outer gas conduit