

# MHS Manni-164

with screwable gas nozzle M14  
gas-cooled

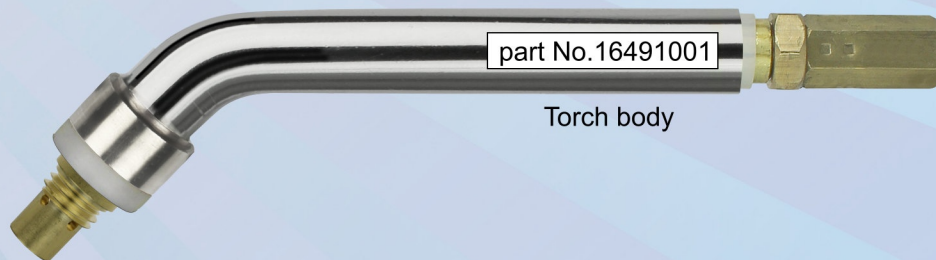


230 Amp./60% duty cycle (CO<sub>2</sub>)  
200 Amp./60% duty cycle (mixed gas)

**Spare parts like:**  
MHS 312 water-cooled

# MHS Manni-164

gas-cooled



Torch body



Gas nozzle conical ID13mm  
part No. 3129301M



Gas nozzle conical ID15mm  
part No. 3129302M



Gas nozzle cylindrical ID18mm  
part No. 31293001



Ball joint  
part No. 91912704



Ratio-handle with ball joint  
part No. 91912534



Industry-handle with ball joint  
part No. 91912101



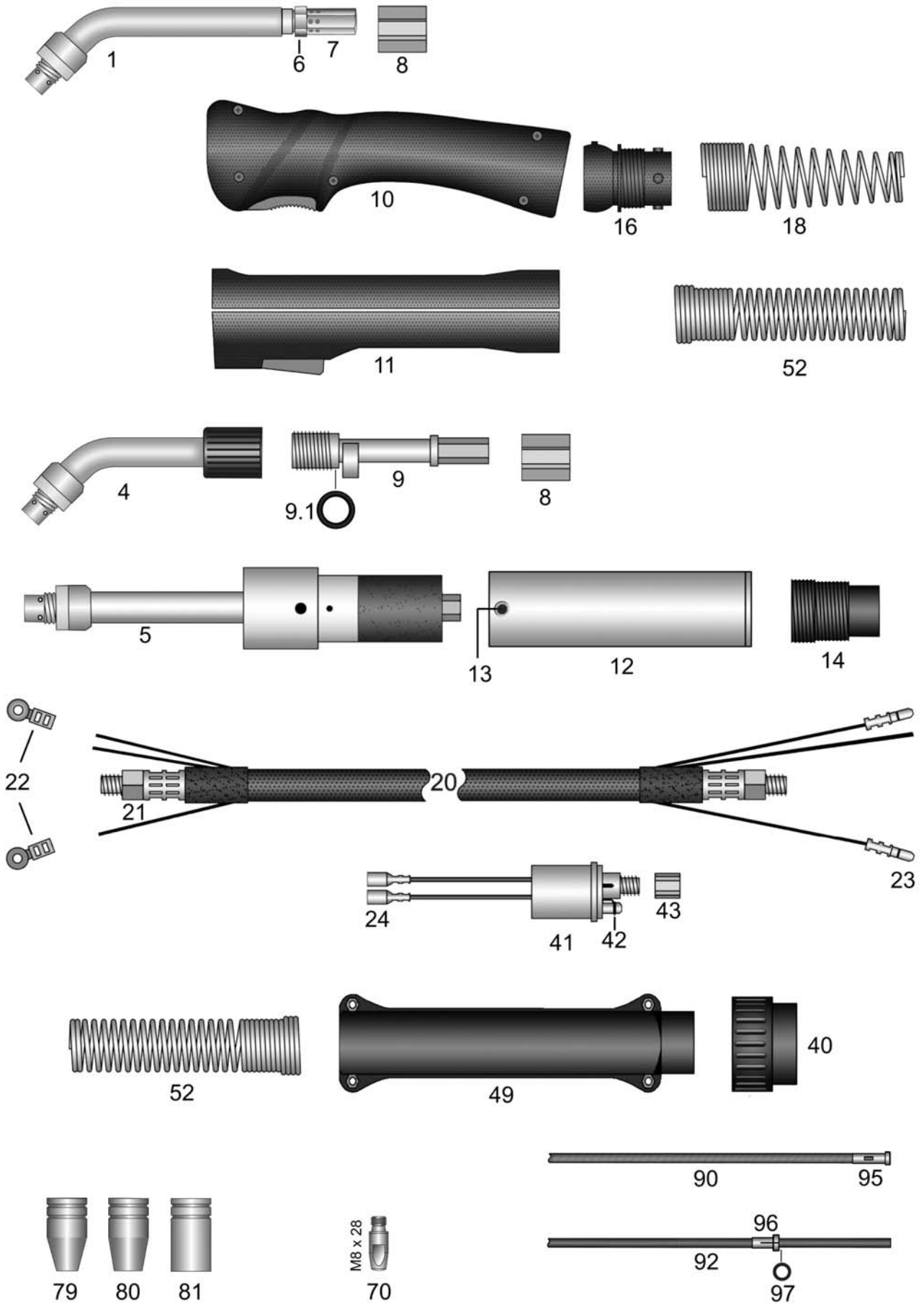
Contact tip M8 x 28  
part No. 828□401(CuCrZr)  
□□Please fill in wire diameter

HSN 655



# MHS Manni-164 gas-cooled

230 Ampere at 60% duty cycle (CO<sub>2</sub>) - 200 Ampere at 60% duty cycle (mixed gas)



HSN 137A-2

# MHS Manni-164

## Welding-torch MIG-MAG gas-cooled

230A at 60% duty cycle (CO<sub>2</sub>) - 200A at 60% duty cycle (mixed gas)

### Art.-No.

#### Spare parts as torch MHS 312 water-cooled

16400311 Torch MHS Manni-164 / 3m EURO central adapter 35mm<sup>2</sup>

16400411 Torch MHS Manni-164 / 4m EURO central adapter 35mm<sup>2</sup>

16400511 Torch MHS Manni-164 / 5m EURO central adapter 35mm<sup>2</sup>

16410311 DR Torch MHS Manni-164 / 3m EURO central adapter 35mm<sup>2</sup>

16410411 DR Torch MHS Manni-164 / 4m EURO central adapter 35mm<sup>2</sup>

16410511 DR Torch MHS Manni-164 / 5m EURO central adapter 35mm<sup>2</sup>

16405311 AUTomatic-torch MHS Manni-164 / 3m EURO central adapter 35mm<sup>2</sup>

16415311 DR AUTomatic-torch MHS Manni-164 / 3m EURO central adapter 35mm<sup>2</sup>

**For torches without EURO central-adaptor the following prices apply.  
Please note that for some special machine side connections surcharges may arise,  
which you will find in the appendix "A" custom made products.**

16400301 Torch MHS Manni-164 / 3m 35mm<sup>2</sup>

16400401 Torch MHS Manni-164 / 4m 35mm<sup>2</sup>

16400501 Torch MHS Manni-164 / 5m 35mm<sup>2</sup>

16410301 DR Torch MHS Manni-164 / 3m 35mm<sup>2</sup>

16410401 DR Torch MHS Manni-164 / 4m 35mm<sup>2</sup>

16410501 DR Torch MHS Manni-164 / 5m 35mm<sup>2</sup>

16405301 AUTomatic-torch MHS Manni-164 / 3m 35mm<sup>2</sup>

16415301 DR AUTomatic-torch MHS Manni-164 / 3m 35mm<sup>2</sup>

**Special lengths for hand- and AUTomatic-torches  
please notice appendix "B".**

pg000001 Surcharge: Pistol-shape-handle / stabilizer

N.i. 91912453 Heat protection shield for pistol handle, screws included

29004602 Surcharge: Torch body with custom bending

**Torch body and AUTomatic torch body with teflon insulation,  
nickel coated brazen outer tube, very massive power conduit and small bending radius.**

1 16491001 Swan neck

4 16419101 DR swan neck MHS Manni-164

5 16491501 AUTomatic-torch body

6 15912201 Lock-nut M10x1-L6mm for swan neck

7 15912401 Torch body brass SW12-L26mm

8 15912301 Polyamid-torch body

9 15912602 DR Torch body brass fits ratio handle

9 15912601 DR Torch body brass fits industry-handle

N.i. 15912651 Auxiliary torch body fits coaxial cable

9.1 91903604 O-ring ID19-W2,4mm

**Handles complete with switch and screws  
Ball joints or sockets are also included**

10 91912534 Ratio-handle 16mm with ball joint

10 91912434 Ratio-handle 16mm (\*\*without ball joint\*\*)

## MHS Manni-164

### Welding-torch MIG-MAG gas-cooled

230A at 60% duty cycle (CO<sub>2</sub>) - 200A at 60% duty cycle (mixed gas)

<b>Art.-No.</b>		
N.i.	91912438	Ratio microswitch DC2
N.i.	91912439	Push button red for Ratio handle also fits RAUCH handle
N.i.	91912441	Spring fits button Ratio grip handle and RAUCH grip handle
11	91912101	Industry-handle 16mm with ball joint
11	91912231	Industry-handle 16mm (**without ball joint**)
N.i.	91920411	Switch-set fits industry-handle for 16/18/20mm (11 parts)
N.i.	91920702	Screw M3x11,5mm fits Ratio/Industry/RAUCH handle and cable support
N.i.	91920703	M3 mounting socket fits Ratio/Industry/RAUCH handle and cable support
12	91912901	AUT handle tube, brass-cladded AD38mm for AUT-torch rubber cable support
13	91912911	Holding screw M4x6mm for AUT handle tube OD38mm
14	15912801	Rubber cable-support small for coaxial-cable
16	91912704	Spring socket pistol side fits handle with ball joint
18	91912503	Cable support spring handle-side for torches with ball joint
20	25920311	Coaxial-cable 35mm <sup>2</sup> / 3m fits EURO central adapter
20	25920411	Coaxial-cable 35mm <sup>2</sup> / 4m fits EURO central adapter
20	25920511	Coaxial-cable 35mm <sup>2</sup> / 5m fits EURO central adapter
21	15912211	Lock-nut M10x1-L9,5mm for coaxial-cable
22	91902811	Cable-plug fits industry-handle
23	91902901	Male connector cable-plug for machine side EURO central adapter
24	91903001	Female connector cable-plug fits machine side EURO central adapter
40	91900701	Terminal nut insulated fits EURO central adapter
41	91900101	Central adapter fixed contact-pins EURO central adapter
41	91900106	Central adapter spring contact-pins EURO central adapter
42	91900801	O-ring ID4-W1mm fits gas-nipple EURO central adapter
43	91900901	Swivel nut IT-M10x1 (rounded edges) fits EURO central adapter
49	91900561	Cable support machine side (screws included) fits EURO central adapter
N.i.	91920702	Screw M3x11,5mm fits Ratio/Industry/RAUCH handle and cable support
N.i.	91920703	M3 mounting socket fits Ratio/Industry/RAUCH handle and cable support
N.i.	91900601	Attachment screw M4x6mm fits cable support EURO central adapter
52	91912502	Cable support spring fits handles without ball joint and for EURO
<b>Contact tip M8-L28-D10 fits on some special Holch torch types and various genuine Dinse torches.</b>		
70	82808401	Contact tip M8-L28-D10 CuCrZr 0,8
70	82810401	Contact tip M8-L28-D10 CuCrZr 1,0
70	82812401	Contact tip M8-L28-D10 CuCrZr 1,2
70	82808a41	Contact tip M8-L28-D10 0,8-A CuCrZr for aluminium wire
70	82810a41	Contact tip M8-L28-D10 1,0-A CuCrZr for aluminium wire
70	82812a41	Contact tip M8-L28-D10 1,2-A CuCrZr for aluminium wire
79	3129301M	Gas nozzle screwable M14 conical-ID13mm L-40mm (MHS Manni-164 + LURCHI-220 / LURCHI-320 + MHS 312)
80	3129302M	Gas nozzle screwable M14 conical-ID15mm L-40mm (MHS Manni-164 + LURCHI-220 / LURCHI-320 + MHS 312)

# MHS Manni-164

## Welding-torch MIG-MAG gas-cooled

230A at 60% duty cycle (CO<sub>2</sub>) - 200A at 60% duty cycle (mixed gas)

<b>Art.-No.</b>		
81	31293001	Gas nozzle screwable M14 cylindric-ID18mm L-40mm (MHS Manni-164 + LURCHI-220 / LURCHI-320 + MHS 312)
<b>Spirals and liners also available in other sizes on inquiry!</b>		
90	15451311	Guide spiral-liner blue ID1,5-AD4,5 fits 3m / EURO central adapter
90	15451411	Guide spiral-liner blue ID1,5-AD4,5 fits 4m / EURO central adapter
90	15451511	Guide spiral-liner blue ID1,5-AD4,5 fits 5m / EURO central adapter
90	20451311	Guide spiral-liner red ID2,0-AD4,5 fits 3m / EURO central adapter
90	20451411	Guide spiral-liner red ID2,0-AD4,5 fits 4m / EURO central adapter
90	20451511	Guide spiral-liner red ID2,0-AD4,5 fits 5m / EURO central adapter
92	20393311	PTFE-carbon core liner ID2,0-AD3,9 fits 3m / EURO central adapter
92	20393411	PTFE-carbon core liner ID2,0-AD3,9 fits 4m / EURO central adapter
92	20393511	PTFE-carbon core liner ID2,0-AD3,9 fits 5m / EURO central adapter
92	20406311	Carbon-PA core liner ID2,0-AD4,0 fits 3m / EURO central adapter
92	20406411	Carbon-PA core liner ID2,0-AD4,0 fits 4m / EURO central adapter
92	20406511	Carbon-PA core liner ID2,0-AD4,0 fits 5m / EURO central adapter
92	20404311	ULTRA-liner (brown) ID2,0-OD4,0 fits 3m / EURO central adapter
92	20404411	ULTRA-liner (brown) ID2,0-OD4,0 fits 4m / EURO central adapter
92	20404511	ULTRA-liner (brown) ID2,0-OD4,0 fits 5m / EURO central adapter
N.i.	20405002	Brass spiral liner (marked blue) ID2,0-OD4,0mm L300mm fits liner OD3,9/4,0mm
N.i.	25405002	Bronze spiral liner (marked blue) ID2,5-OD4,0mm L300mm fits liner OD3,9/4,0mm
95	91905721	Nipple (brass L-30mm) fits spiral liner EURO central adapter AD4,5mm
96	91906111	Nipple fits core liner EURO central adapter AD3,9/4,0mm
97	91906131	O-ring ID3,5-W1,5mm fits core liners
N.i.	91906112	Support tube, brass ID4,4 - AD5,0 - L200mm
<b>Mounting spiral for use with DR Torch Bodies (shorten as needed)</b>		
N.i.	dr193901	Mounting spiral (steel) for DR torches L250mm ID1,9-AD3,9mm complete with slotted outer gas conduit
N.i.	dr253901	Mounting spiral (steel) for DR torches L250mm ID2,5-AD3,9mm complete with slotted outer gas conduit
N.i.	dr204001	Mounting spiral (brass) for DR torches L250mm ID2,0-AD4,0mm complete with slotted outer gas conduit
N.i.	dr254001	Mounting spiral (bronze) for DR torches L250mm ID2,5-AD4,0mm complete with slotted outer gas conduit