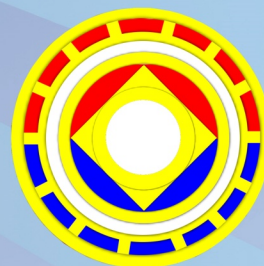


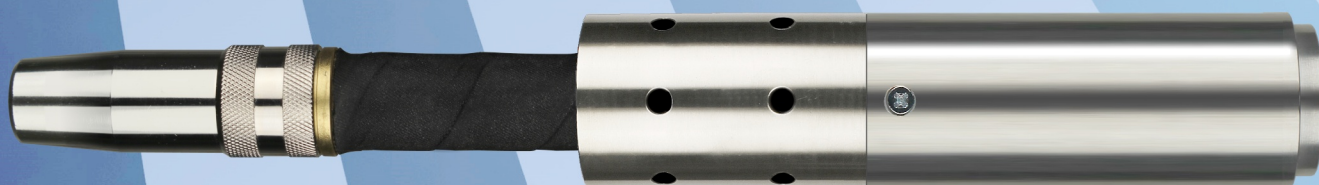
MHS KONSUL - 601

with cascade cooling system
water-cooled



600 Amp./100% duty cycle (CO₂)
550 Amp./100% duty cycle (mixed gas)

Spare parts like:
MHS 61 gas-cooled



MHS KONSUL - 601 with cascade cooling system water-cooled

O-ring
part No.
91914901

Insulating
disc

part No.60191001

Torch body

Gas nozzle conical ID17mm
screwable
part No. 60193001



Ball joint
part No. 91912704



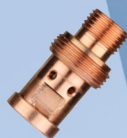
Ratio-handle with ball joint
part No. 91912537



Industry-handle with ball joint
part No. 91912104



Insulating disc
part No. 60091211



Contact tip holder
part No. 60098001 Copper
part No. 60098002 Brass



Gas diffuser
part No. 60091201



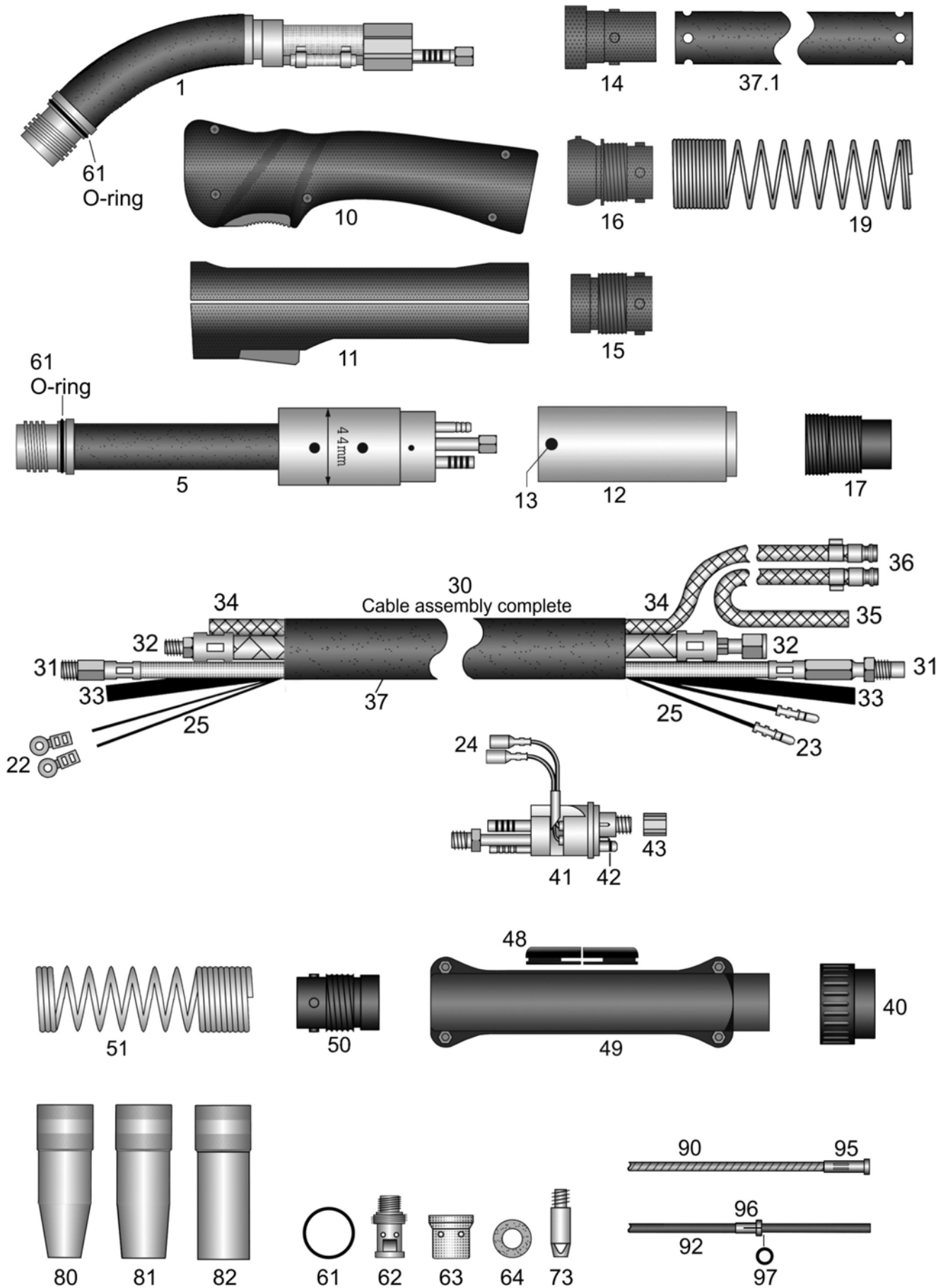
HD-Contact tip M8x 36
part No. 836□401(CuCrZr)
□ Please fill in wire diameter

HSN 895

MHS KONSUL-601 water-cooled



600 Ampere at 100% duty cycle (CO₂) - 550 Ampere at 100% duty cycle (mixed gas)



HSN 894-1

MHS KONSUL-601 (gas nozzle screwable)

Welding-torch MIG-MAG water-cooled

600A at 100% duty cycle (CO2) - 550A at 100% duty cycle (mixed gas)

Art.-No.

Spare parts as torch MHS 61 gas-cooled

60100311	Torch MHS KONSUL-601 / 3m EURO central adapter gas nozzle screwable
60100411	Torch MHS KONSUL-601 / 4m EURO central adapter gas nozzle screwable
60100511	Torch MHS KONSUL-601 / 5m EURO central adapter gas nozzle screwable
60150311	AUTomatic-torch MHS KONSUL-601 / 3m EURO central adapter gas nozzle screwable

**For torches without EURO central-adaptor the following prices apply.
Please note that for some special machine side connections surcharges may arise,
which you will find in the appendix "A" custom made products.**

60100301	Torch MHS KONSUL-601 / 3m gas nozzle screwable
60100401	Torch MHS KONSUL-601 / 4m gas nozzle screwable
60100501	Torch MHS KONSUL-601 / 5m gas nozzle screwable
60150301	AUTomatic-torch MHS KONSUL-601 / 3m gas nozzle screwable

**Special lengths for hand- and AUTomatic-torches
please notice appendix "B".**

**Torches with flexible and highly heat resistant cable assemblies available for small
surcharges! Please see appendix "B"**

29004602	Surcharge: Torch body with custom bending
91900102	Adapter EURO central adapter fits power source with Dinse central adapter

**Torch bodies and AUTomatic torch bodies with 2 circuit cooling (Cascade cooling system),
complete with copper contact tip holder M8 and insulator disc.
Fastening spring for gas nozzle.**

1	60191001	Torch body fits gas nozzle screwable
5	60191501	AUTomatic-torch body fits gas nozzle screwable

**Handles complete with switch and screws
Ball joints or sockets are also included**

10	91912537	Ratio-handle 21mm with ball joint
10	91912437	Ratio-handle 21mm (**without ball joint**)
N.i.	91912438	Ratio microswitch DC2
N.i.	91912439	Push button red for Ratio handle also fits RAUCH handle
N.i.	91912441	Spring fits button Ratio grip handle and RAUCH grip handle
11	91912104	Industry-handle 21mm with ball joint
11	91912433	Industry-handle 21mm (**without ball joint**)
N.i.	91920412	Switch-set fits industry-handle for 21mm (9 parts)
N.i.	91920702	Screw M3x11,5mm fits Ratio/Industry/RAUCH handle and cable support
N.i.	91920703	M3 mounting socket fits Ratio/Industry/RAUCH handle and cable support

12	91912923	AUT handle tube, aluminium-cladded AD44mm
13	91912912	Counter sunk bolt M4x6mm for AUT handle tube OD44mm

14	50191251	Rubber cable-support RETRO
15	91912701	Spring socket pistol side fits handle without ball joint
16	91912704	Spring socket pistol side fits handle with ball joint
17	91912711	AUT spring socket
19	91912501	Cable support spring pistol-side fits water-cooled torches

MHS KONSUL-601 (gas nozzle screwable)

Welding-torch MIG-MAG water-cooled

600A at 100% duty cycle (CO₂) - 550A at 100% duty cycle (mixed gas)

Art.-No.		
N.i.	91912511	AUT cable support spring (long design)
N.i.	91912521	AUT suspension spring
N.i.	91912531	AUT carabiner
N.i.	10089001	Single stroke button (rubber)
22	91902811	Cable-plug fits industry-handle
23	91902901	Male connector cable-plug for machine side EURO central adapter
24	91903001	Female connector cable-plug fits machine side EURO central adapter
25	91902423	Meter control line 2x0,75mm ² red free of halogen (100m)
Spare cable-assemblies complete with cable support springs and fittings. Fits handles with or without ball joint - please specify!		
30	09200312	Spare cable assembly 3m / without EURO central adapter
30	09200412	Spare cable assembly 4m / without EURO central adapter
30	09200512	Spare cable assembly 5m / without EURO central adapter
Supply lines and thermo-hoses, superflexible and highly heat resistant please see appendix "C" and "D"		
31	0950a311	Wire conduit flexible MHS / 3m EURO central adapter (flexible)
31	0950a411	Wire conduit flexible MHS / 4m EURO central adapter (flexible)
31	0950a511	Wire conduit flexible MHS / 5m EURO central adapter (flexible)
32	09400311	ST 80 PVC-NIT power/water cable MHS / 3m EURO central adapter
32	09400411	ST 80 PVC-NIT power/water cable MHS / 4m EURO central adapter
32	09400511	ST 80 PVC-NIT power/water cable MHS / 5m EURO central adapter
Supply lines for AUTomatic torches.		
31	0950d311	AUT wire conduit MHS / 3m EURO central adapter white (hard)
32	09400313	HT 110 rubber fabric hose power/water cable MHS / 3m EURO central adapter
Reel goods: Prices are per meter and only applicable if a complete reel is purchased.		
33	41500001	Meter ST 70 PVC hose ID4,0-W1,5mm black for gas (100m)
34	50170001	Meter ST 80 PVC-NIT fabric hose ID5,0-W1,7mm blue for water (100m) robust model, thick-walled and non-buckling
35	50171001	Meter ST 80 PVC-NIT fabric hose ID5,0-W1,7mm red for water (100m) robust model, thick-walled and non-buckling
36	91901001	Cooling liquid plug nipples EURO
N.i.	91901008	Closing cap blue fits cooling liquid plug nipples EURO
N.i.	91901009	Closing cap red fits cooling liquid plug nipples EURO
37	25151001	Meter rubberized fabric protective hose ID25-W1,5mm (40m)
37.1	25151311	Rubberized fabric protective hose ID25-W1,5mm perforated fits 3m / EURO central adapter
37.1	25151411	Rubberized fabric protective hose ID25-W1,5mm perforated fits 4m / EURO central adapter
37.1	25151511	Rubberized fabric protective hose ID25-W1,5mm perforated fits 5m / EURO central adapter
40	91900701	Terminal nut insulated fits EURO central adapter
41	91900201	Central adapter fixed contact-pins EURO central adapter
41	91900206	Central adapter spring contact-pins EURO central adapter

MHS KONSUL-601 (gas nozzle screwable)

Welding-torch MIG-MAG water-cooled

600A at 100% duty cycle (CO₂) - 550A at 100% duty cycle (mixed gas)

Art.-No.		
42	91900801	O-ring ID4-W1mm fits gas-nipple EURO central adapter
43	91900901	Swivel nut IT-M10x1 (rounded edges) fits EURO central adapter
48	91901011	Rubber-hose-fence fits cable support
49	91900561	Cable support machine side (screws included) fits EURO central adapter
N.i.	91920702	Screw M3x11,5mm fits Ratio/Industry/RAUCH handle and cable support
N.i.	91920703	M3 mounting socket fits Ratio/Industry/RAUCH handle and cable support
N.i.	91900601	Attachment screw M4x6mm fits cable support EURO central adapter
50	91912801	Spring-socket fits cable support
51	91912601	Cable support spring
61	91914901	O-ring ID20,35-W1,78mm
62	60098011	Contact tip holder IT-M8 material: Copper, complete with insulator
62	60098012	Contact tip holder IT-M8 material: Brass, complete with insulator
63	60091201	Gas diffusor
63	60091204	HT-gas diffusor black power
64	60091211	Insulator
73	83610401	HD-contact tip M8-L36-AD10 CuCrZr 1,0
73	83612401	HD-contact tip M8-L36-AD10 CuCrZr 1,2
73	83614401	HD-contact tip M8-L36-AD10 CuCrZr 1,4
73	83616401	HD-contact tip M8-L36-AD10 CuCrZr 1,6
73	83620401	HD-contact tip M8-L36-AD10 CuCrZr 2,0
73	83608a41	HD-contact tip M8-L36-D10 CuCrZr 0,8-A for aluminium wire
73	83610a41	HD-contact tip M8-L36-D10 CuCrZr 1,0-A for aluminium wire
73	83612a41	HD-contact tip M8-L36-D10 CuCrZr 1,2-A for aluminium wire
73	83618301	HD-contact tip M8-L36-D10 1,6A nickel-plated for aluminium wire
80	60193021	Screwable gas nozzle conical-ID14mm
81	60193001	Screwable gas nozzle conical-ID17mm
82	60193301	Screwable gas nozzle cylindric-ID21mm
Spirals and liners also available in other sizes on inquiry!		
90	20450311	Guide spiral-liner ID2,0-AD4,5 fits 3m / EURO central adapter
90	20450411	Guide spiral-liner ID2,0-AD4,5 fits 4m / EURO central adapter
90	20450511	Guide spiral-liner ID2,0-AD4,5 fits 5m / EURO central adapter
90	25450311	Guide spiral-liner ID2,5-AD4,5 fits 3m / EURO central adapter
90	25450411	Guide spiral-liner ID2,5-AD4,5 fits 4m / EURO central adapter
90	25450511	Guide spiral-liner ID2,5-AD4,5 fits 5m / EURO central adapter
92	20393311	PTFE-carbon core liner ID2,0-AD3,9 fits 3m / EURO central adapter
92	20393411	PTFE-carbon core liner ID2,0-AD3,9 fits 4m / EURO central adapter
92	20393511	PTFE-carbon core liner ID2,0-AD3,9 fits 5m / EURO central adapter
92	27473311	PTFE-carbon core liner ID2,7-AD4,7 fits 3m / EURO central adapter
92	27473411	PTFE-carbon core liner ID2,7-AD4,7 fits 4m / EURO central adapter
92	27473511	PTFE-carbon core liner ID2,7-AD4,7 fits 5m / EURO central adapter

MHS KONSUL-601 (gas nozzle screwable)

Welding-torch MIG-MAG water-cooled

600A at 100% duty cycle (CO₂) - 550A at 100% duty cycle (mixed gas)

Art.-No.		
92	20406311	Carbon-PA core liner ID2,0-AD4,0 fits 3m / EURO central adapter
92	20406411	Carbon-PA core liner ID2,0-AD4,0 fits 4m / EURO central adapter
92	20406511	Carbon-PA core liner ID2,0-AD4,0 fits 5m / EURO central adapter
92	23476311	Carbon-PA core liner ID2,3-AD4,7 fits 3m / EURO central adapter
92	23476411	Carbon-PA core liner ID2,3-AD4,7 fits 4m / EURO central adapter
92	23476511	Carbon-PA core liner ID2,3-AD4,7 fits 5m / EURO central adapter
92	29476311	Carbon-PA core liner ID2,9-AD4,7 fits 3m / EURO central adapter
92	29476411	Carbon-PA core liner ID2,9-AD4,7 fits 4m / EURO central adapter
92	29476511	Carbon-PA core liner ID2,9-AD4,7 fits 5m / EURO central adapter
92	20404311	ULTRA-liner (brown) ID2,0-OD4,0 fits 3m / EURO central adapter
92	20404411	ULTRA-liner (brown) ID2,0-OD4,0 fits 4m / EURO central adapter
92	20404511	ULTRA-liner (brown) ID2,0-OD4,0 fits 5m / EURO central adapter
92	23474311	ULTRA-liner (brown) ID2,3-OD4,7 fits 3m / EURO central adapter
92	23474411	ULTRA-liner (brown) ID2,3-OD4,7 fits 4m / EURO central adapter
92	23474511	ULTRA-liner (brown) ID2,3-OD4,7 fits 5m / EURO central adapter
92	29474311	ULTRA-liner (brown) ID2,9-OD4,7 fits 3m / EURO central adapter
92	29474411	ULTRA-liner (brown) ID2,9-OD4,7 fits 4m / EURO central adapter
92	29474511	ULTRA-liner (brown) ID2,9-OD4,7 fits 5m / EURO central adapter
N.i.	20405002	Brass spiral liner (marked blue) ID2,0-OD4,0mm L300mm fits liner OD3,9/4,0mm
N.i.	20405001	Brass spiral liner (marked green) ID2,0-OD4,0mm L300mm fits liner OD4,7mm
N.i.	25405002	Bronze spiral liner (marked blue) ID2,5-OD4,0mm L300mm fits liner OD3,9/4,0mm
N.i.	25405001	Bronze spiral liner (marked green) ID2,5-OD4,0mm L300mm fits liner OD4,7mm
95	91905721	Nipple (brass L-30mm) fits spiral liner EURO central adapter AD4,5mm
96	91906111	Nipple fits core liner EURO central adapter AD3,9/4,0mm
96	91906121	Nipple fits core liner EURO central adapter AD 4,7mm
97	91906131	O-ring ID3,5-W1,5mm fits core liners
N.i.	91906112	Support tube, brass ID4,4 - AD5,0 - L200mm