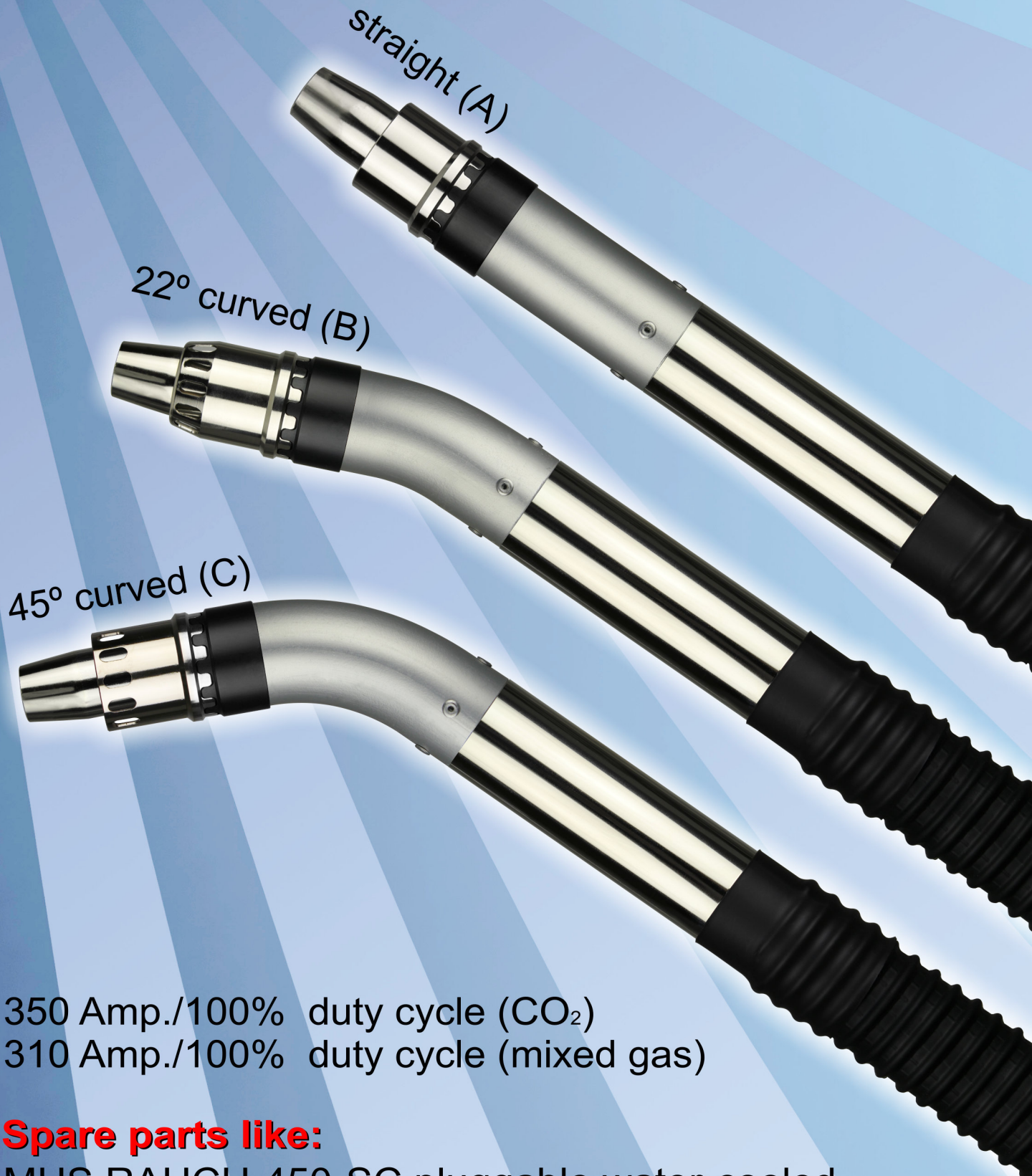


MHS AUT-RAUCH-350-SC

air-cooled

pluggable



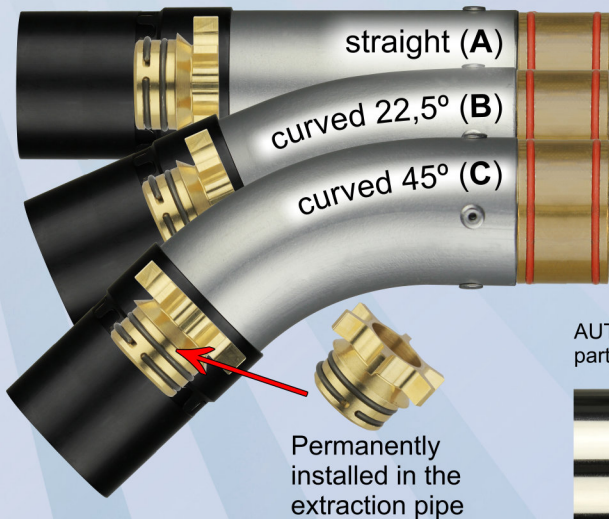
350 Amp./100% duty cycle (CO₂)
310 Amp./100% duty cycle (mixed gas)

Spare parts like:

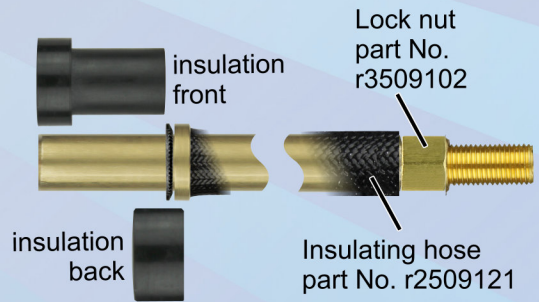
MHS RAUCH-450-SC pluggable water-cooled

MHS AUT-RAUCH-350-SC pluggable air-cooled

Extraction tube part No. r4509102



Torch body part No. r3509101



AUT-RAUCH-grip tube part.No. r9191291

Heat shrink tubing part.No. s5081401

Extraction hose fits 3m part.No. r3800311



Adjustable extraction nozzles (brass plated)

for lateral suction

Gas nozzle pluggable conical ID 16mm part No. r9300001



for frontal suction
internal O-ring part No. r9131001
part No. r9130002



cylindrical
part No. r9130003



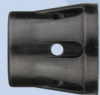
conical
part No. r9130004



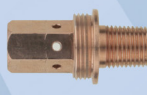
Contact tip M8 x 30 part No. 830 □ 401 (CuCrZr)
□ Please fill in wire diameter



Gas diffuser "Black Power" part No. r9120007



Contact tip holder part No. r9800002



Insulated front part with long cylinder part No. r9121001



Insulation back part No. r9121002



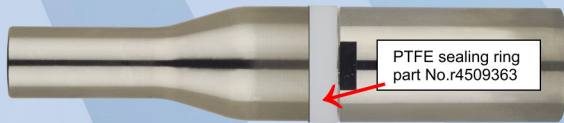
Lock spring washer part No. r9120008



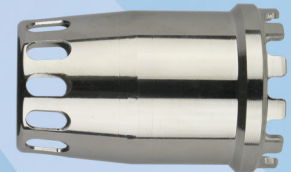
Narrow-gap contact tip M8-L85,5 part No.88551241



Narrow-gap gas nozzle part No. r4509365
Narrow-gap gas nozzle (lower part) with sealing ring part No. r4509362



Narrow-gap extraction nozzle conical part No. r9130006

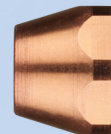


Combined gas/fume-extraction system

Contact tip M8 x 30 part No. 830 □ 401 (CuCrZr)
□ Please fill in wire diameter



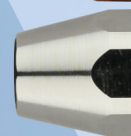
Gaz nozzle tip, short L - 22mm part No. r9360002



Contact tip M8 x 36 part No. 836 □ 401 (CuCrZr)
□ Please fill in wire diameter



Gaz nozzle tip, long L - 28mm part No. r9360003



Gas nozzle base with integrated



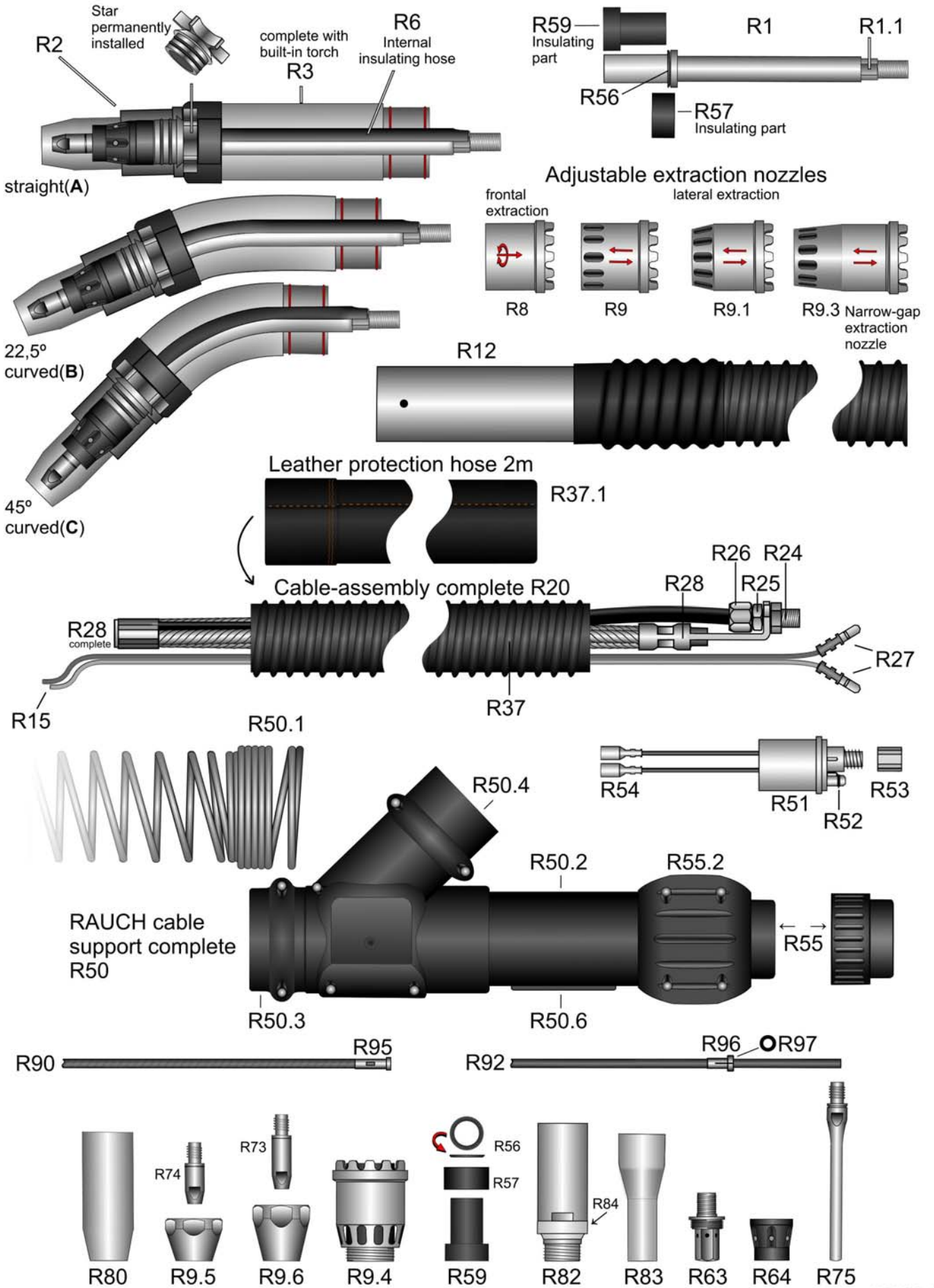
suction nozzle part No. r9360001

HSN 1005

MHS AUT-RAUCH-350-SC air-cooled pluggable



350 Ampere at 100% duty cycle (CO₂) - 310 Ampere at 100% duty cycle (mixed gas)



HSN 991

MHS AUT-RAUCH-350-SC pluggable

Welding-torch MIG-MAG air-cooled

350A at 100% duty cycle (CO2) - 310A at 100% duty cycle (mixed gas)

Art.-No.	
Spare parts as torch MHS RAUCH-450-SC pluggable water-cooled	
r3505312	AUTomatic-torch MHS RAUCH-350-SC pluggable / 3m EURO central adapter
For torches without EURO central-adaptor the following prices apply. Please note that for some special machine side connections surcharges may arise, which you will find in the appendix "A" custom made products.	
r3505302	AUTomatic-torch MHS RAUCH-350-SC pluggable / 3m
R1A	r3509153 AUTomatic-torch body MHS RAUCH-350-SC with insulating hose (0°)
R1B	r3509152 AUTomatic-torch body MHS RAUCH-350-SC with insulating hose (22,5°)
R1C	r3509151 AUTomatic-torch body MHS RAUCH-350-SC with insulating hose (45°)
R1.1	r3509102 Lock-nut SW12 M10x1-L10mm fits RAUCH-350-SC / RAUCH-250
R2A	r3509156 Fume extraction tube MHS RAUCH-350-SC / MHS RAUCH-450-SC (0°) pluggable
R2B	r3509155 Fume extraction tube MHS RAUCH-350-SC / MHS RAUCH-450-SC (22,5°) pluggable
R2C	r3509154 Fume extraction tube MHS RAUCH-350-SC / MHS RAUCH-450-SC (45°) pluggable
R3A	r3509259 AUT fume extraction tube with AUT torch body (0°), complete with all consumables without fume extraction nozzle, pluggable
R3B	r3509258 AUT fume extraction tube with AUT torch body (22,5°), complete with all consumables without fume extraction nozzle, pluggable
R3C	r3509257 AUT fume extraction tube with AUT torch body (45°), complete with all consumables without fume extraction nozzle, pluggable
R6	r2509121 Section of silicone/glas insulating hose ID12,6-L125mm heat resistant up to 200°C
R8	r9130002 Fume extraction nozzle for RAUCH-350-SC / RAUCH-450-SC made of brass, nickel plated, frontal extraction, adjustable, complete with special O-ring high temperature resistant
R9	r9130003 Fume extraction nozzle for RAUCH-350-SC / RAUCH-450-SC made of brass, nickel plated, lateral extraction, adjustable, complete with special O-ring high temperature resistant
R9.1	r9130004 Fume extraction nozzle for RAUCH-350-SC / RAUCH-450-SC made of brass, nickel plated, conical, lateral extraction, wide extraction slots, complete with special O-ring high temperature resistant
R9.3	r9130006 Fume extraction nozzle narrow-gap (long) for RAUCH-350-SC / RAUCH-450-SC made of brass, nickel plated, conical, wide extraction slots, complete with special O-ring high temperature resistant
R9.4	r9360001 Combined gas- and fume- extraction nozzle for gas nozzle tops L-22mm and L-28mm
R9.5	r9360002 Gas nozzle top L-22mm for combined gas extraction nozzle (use contact tip M8x30)
R9.6	r9360003 Gas nozzle top L-28mm for combined gas extraction nozzle (use contact tip M8x36)
N.i.	r9131001 Special high heat resistant O-ring ID33-W2mm for fume extraction nozzle RAUCH-350-SC / RAUCH-450-SC
R12	r9191291 AUT-RAUCH handle tube, brass-cladded L200-OD38mm, screws included
N.i.	s5081401 Section of 100mm of shrinking hose ID50,8mm Used for attaching the extraction hose + leather to the AUT-RAUCH handle tube
o.A	s5081501 Section of 200mm of shrinking hose ID39mm Used for insulation of support lines inside the AUT-RAUCH handle tube
Reel goods: Prices are per meter and only applicable if a complete reel is purchased.	
N.i.	s5080001 Meter shrinking hose, heatresistant 2:1, ID50,8mm (5m)
Cable assembly for EURO central adapter, separate cables with power/ wire conduit 44mm ²	
R20	ve295311 Spare cable assembly AUT-RAUCH-350-SC 3m / without EURO central adapter exhaust hose ID38mm, complete with ball joint and appr. 2,2m leather protection sleeve
R24	neu61002 Power/wire connector for separate lines

MHS AUT-RAUCH-350-SC pluggable

Welding-torch MIG-MAG air-cooled

350A at 100% duty cycle (CO2) - 310A at 100% duty cycle (mixed gas)

Art.-No.		
R25	neu61004	Hex nut for power connector separate lines
R26	neu61003	Tightening/swivel nut for power connector separate lines
R28	r9644311	RAUCH power/wire conduit 44mm ² / 3m Euro central adapter
N.i.	neu61021	Washer L3,7mm fits RAUCH power connection air-cooled for separate lines 37mm ² + 44mm ²
Reel goods: Prices are per meter and only applicable if a complete reel is purchased.		
N.i.	r3800001	Meter exhaust hose ID38mm (18m)
R37	r3800311	Section of exhaust hose 2,4m ID38mm / for 3m RAUCH torch
R37.1	r3800011	Leather-sleeve ID50mm appr. 2,2m long, for fume extraction hose ID-38mm
N.i.	r3805313	Fume extraction hose (section) ID38mm for AUT-RAUCH torch 3m/EURO central adapter complete with ball joint, appr. 2,2m leather attached with shrinking hose
R50	91700002	Fume central adapter connection-system for air-cooled torches complete. Consisting of: 91700061 + 91700011 + 91700021 + 91700032 + 91700151 + 91700041 + 91900702
R50.1	91912611	Cable support spring machine side fits RAUCH Holch cable support
R50.2	91700061	Fume central adapter / fume protected area to connect support lines, lateral mouth for rubber grommet, 2 halves complete with bushing and screws and 1 red O-ring ID33-W2mm (red)
R50.3	91700011	Fume central adapter chamber rotatable 360°. 2 halves complete with bushing, screws and 2 O-rings ID46-W2mm (red). Fits to genuine Holch extraction connection adapter 45° and central adapter connection chamber
R50.4	91700021	Fume central adapter extraction connection 45°, 2 half pieces complete with bushes and screws. Only for genuine Holch central adapter rotatable extraction chamber
N.i.	91700032	Fume central adapter membrane OD35-8mm thick for the genuine Holch fume protected central adapter connection chamber for air-cooled RAUCH fume extraction torch
N.i.	91920702	Screw M3x11,5mm fits Ratio/Industry/RAUCH handle and cable support
N.i.	91920703	M3 mounting socket fits Ratio/Industry/RAUCH handle and cable support
N.i.	91900601	Attachment screw M4x6mm fits cable support EURO central adapter
R50.6	91700151	Fume central adapter seal set for air cooled torches to seal the opening in the fume protected connection chamber
N.i.	r9131002	Special high heat resistant O-ring ID33mm-W2mm for fume extraction connection chamber
N.i.	91700111	Special high heat resistant O-ring ID46mm-W2mm fits fume extraction chamber
R51	91900106	Central adapter spring contact-pins EURO central adapter
R51	91900101	Central adapter fixed contact-pins EURO central adapter
R52	91900801	O-ring ID4-W1mm fits gas-nipple EURO central adapter
R53	91900901	Swivel nut IT-M10x1 (rounded edges) fits EURO central adapter
R54	91903001	Female connector cable-plug fits machine side EURO central adapter
R55	91900702	Terminal nut insulated fits EURO central adapter (widened fits RAUCH)
R55.2	91700041	Strengthening for terminal nut EURO central adapter 2 halves complete with bushing and screws (black)
R56	r9120008	Lock spring washer for RAUCH-350-SC / RAUCH-450-SC
R57	r9121002	HT-insulation black power fits RAUCH-350 / RAUCH-450 (at the rear) with lock spring washer
R59	r9121001	HT-insulation black power fits RAUCH-350-SC / RAUCH-450-SC (front) with long cylinder
R63	r9800002	Contact tip holder M8 with OT-M16x1 fits gas diffusor
R64	r9120007	HT gas-diffusor black power with rib-like gas conduit, IT-M16x1, 18mm tapped
R73	83608401	HD-contact tip M8-L36-AD10 CuCrZr 0,8

MHS AUT-RAUCH-350-SC pluggable

Welding-torch MIG-MAG air-cooled

350A at 100% duty cycle (CO₂) - 310A at 100% duty cycle (mixed gas)

Art.-No.		
R73	83610401	HD-contact tip M8-L36-AD10 CuCrZr 1,0
R73	83612401	HD-contact tip M8-L36-AD10 CuCrZr 1,2
R73	83614401	HD-contact tip M8-L36-AD10 CuCrZr 1,4
R73	83616401	HD-contact tip M8-L36-AD10 CuCrZr 1,6
R74	83008401	Contact tip M8-L30-D10 CuCrZr 0,8
R74	83010401	Contact tip M8-L30-D10 CuCrZr 1,0
R74	83012401	Contact tip M8-L30-D10 CuCrZr 1,2
R74	83014401	Contact tip M8-L30-D10 CuCrZr 1,4
R74	83016401	Contact tip M8-L30-D10 CuCrZr 1,6
R74	83008a01	Contact tip M8-L30-D10 0,8-A for aluminium wire
R74	83010a01	Contact tip M8-L30-D10 1,0-A for aluminium wire
R74	83012a01	Contact tip M8-L30-D10 1,2-A for aluminium wire
R74	83016a01	Contact tip M8-L30-D10 1,6-A for aluminium wire
R75	88551041	Narrow gap-contact tip M8-L85,5-D10 turned down to 6mm 0,8 - 1,0 CuCrZr
R75	88551241	Narrow gap-contact tip M8-L85,5-D10 turned down to 6mm 1,2 CuCrZr
R80	r9300002	Pluggable gas nozzle conical-ID16mm
R82	r4509364	Narrow-gap lower section pluggable with PTFE sealing ring for RAUCH-350-SC / RAUCH-450-SC
R83	r4509365	Narrow gap gas-nozzle ID12-OD12mm / length 62,5mm for narrow-gap lower section RAUCH-350-SC / RAUCH-450-SC
R84	r4509363	PTFE sealing ring for narrow-gap lower section RAUCH-350-SC / RAUCH-450-SC
Spirals and liners also available in other sizes on inquiry!		
R90	15451311	Guide spiral-liner blue ID1,5-AD4,5 fits 3m / EURO central adapter
R90	2045j311	Guide spiral-liner red ID2,0-AD4,5 fits 3m / EURO central adapter
R90	23481311	Spiral-liner green ID2,3-AD4,8 fits 3m / EURO central adapter
R90	2545j311	Guide spiral-liner yellow ID2,5-AD4,5 fits 3m / EURO central adapter
R92	20393311	PTFE-carbon core liner ID2,0-AD3,9 fits 3m / EURO central adapter
R92	27473311	PTFE-carbon core liner ID2,7-AD4,7 fits 3m / EURO central adapter
R92	20406311	Carbon-PA core liner ID2,0-AD4,0 fits 3m / EURO central adapter
R92	23476311	Carbon-PA core liner ID2,3-AD4,7 fits 3m / EURO central adapter
R92	20404311	ULTRA-liner (brown) ID2,0-OD4,0 fits 3m / EURO central adapter
R92	23474311	ULTRA-liner (brown) ID2,3-OD4,7 fits 3m / EURO central adapter
N.i.	20405002	Brass spiral liner (marked blue) ID2,0-OD4,0mm L300mm fits liner OD3,9/4,0mm
N.i.	25405002	Bronze spiral liner (marked blue) ID2,5-OD4,0mm L300mm fits liner OD3,9/4,0mm
N.i.	20405001	Brass spiral liner (marked green) ID2,0-OD4,0mm L300mm fits liner OD4,7mm
N.i.	25405001	Bronze spiral liner (marked green) ID2,5-OD4,0mm L300mm fits liner OD4,7mm
R95	91905721	Nipple (brass L-30mm) fits spiral liner EURO central adapter AD4,5mm
R96	91906111	Nipple fits core liner EURO central adapter AD3,9/4,0mm
R96	91906121	Nipple fits core liner EURO central adapter AD 4,7mm
R97	91906131	O-ring ID3,5-W1,5mm fits core liners
N.i.	91906112	Support tube, brass ID4,4 - AD5,0 - L200mm

