

MHS 60

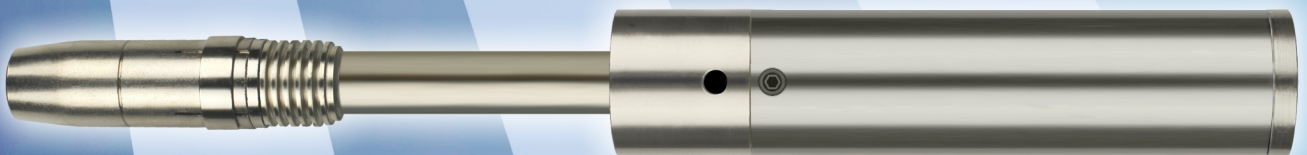
gas-cooled



320 Amp./60% duty cycle (CO₂)
300 Amp./60% duty cycle (mixed gas)

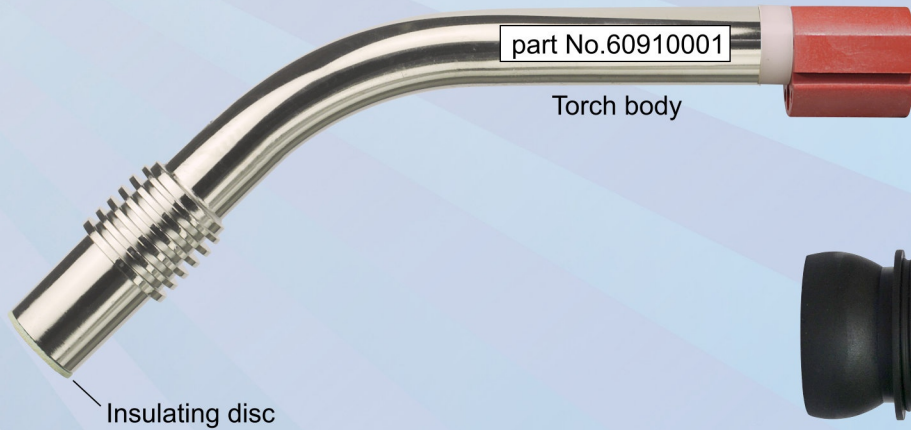
Spare parts like:

MHS KONSUL-600 water-cooled



MHS 60

gas-cooled



part No. 60910001

Torch body

Insulating disc



Ball joint
part No. 91912704



Heavy duty gas nozzle
conical ID 14mm
part No. 60093011



Ratio-handle with ball joint
part No. 91912535



Heavy duty gas nozzle
conical ID 17mm
part No. 60093001



Industry-handle with ball joint
part No. 91912102



Heavy duty gas nozzle
cylindric ID 21mm
part No. 60093301



Insulating disc
part No. 60091211



Contact tip holder
part No. 60098001 Copper
part No. 60098002 Brass



Gas diffusor
part No. 60091201



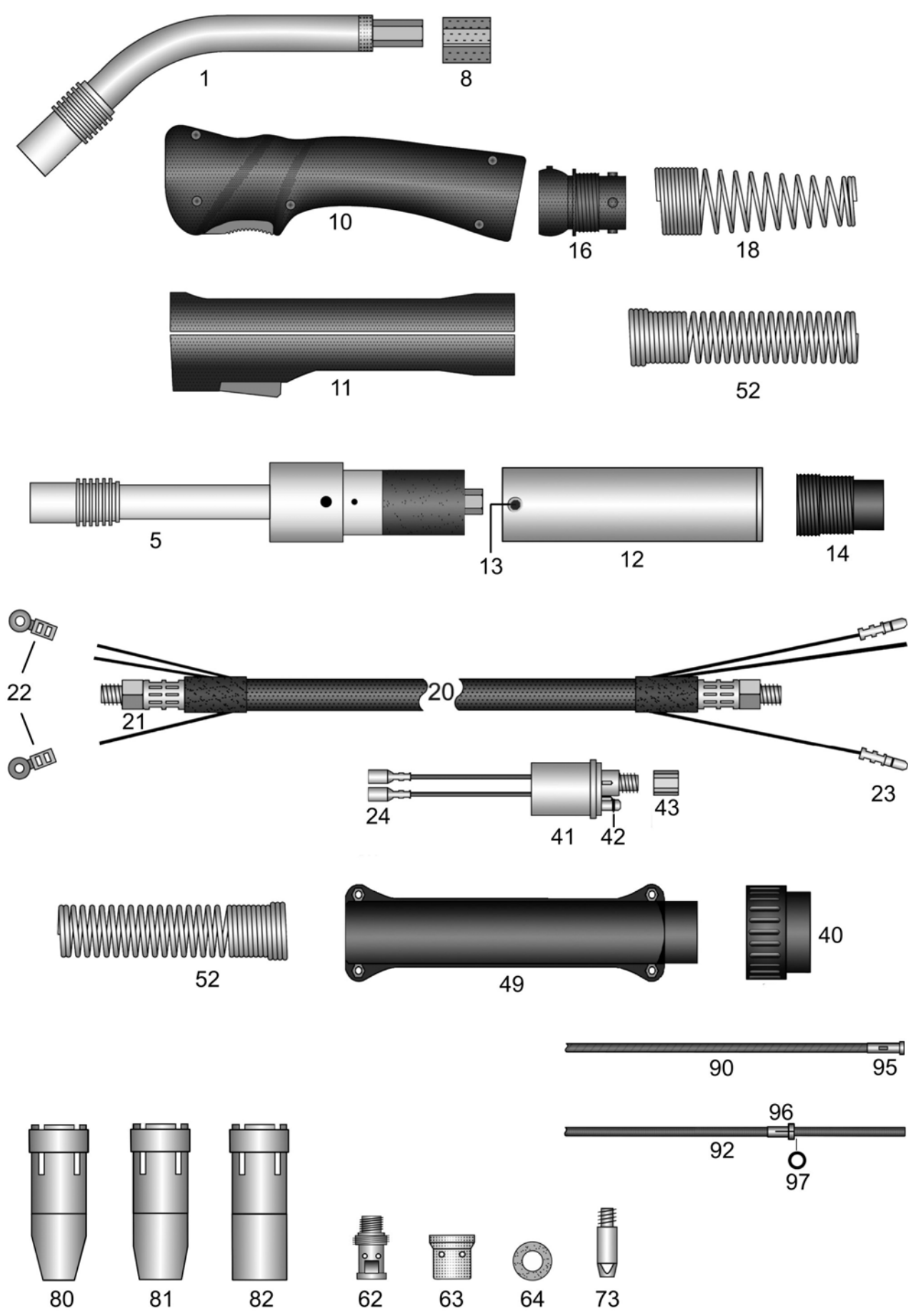
HD-Contact tip M8x 36
part No. 836□ 401(CuCrZr)
□ Please fill in wire diameter

HSN 653



MHS 60 gas-cooled

320 Ampere at 60% duty cycle (CO₂) - 300 Ampere at 60% duty cycle (mixed gas)



HSN 540-1

MHS 60

Welding-torch MIG-MAG gas-cooled

320A at 60% duty cycle (CO₂) - 300A at 60% duty cycle (mixed gas)

Art.-No.

Spare parts as torch MHS KONSUL-600 water-cooled

60200311	Torch MHS 60 / 3m EURO central adapter 42mm ²
60200411	Torch MHS 60 / 4m EURO central adapter 42mm ²
60200511	Torch MHS 60 / 5m EURO central adapter 42mm ²
60250311	AUTomatic-torch MHS 60 / 3m EURO central adapter 42mm ²

**For torches without EURO central-adaptor the following prices apply.
Please note that for some special machine side connections surcharges may arise,
which you will find in the appendix "A" custom made products.**

60200301	Torch MHS 60 / 3m 42mm ²
60200401	Torch MHS 60 / 4m 42mm ²
60200501	Torch MHS 60 / 5m 42mm ²
60250301	AUTomatic-torch MHS 60 / 3m 42mm ²

**Special lengths for hand- and AUTomatic-torches
please notice appendix "B".**

pg000001	Surcharge: Pistol-shape-handle / stabilizer
N.i. 91912453	Heat protection shield for pistol handle, screws included
29004602	Surcharge: Torch body with custom bending

**Torch body and AUTomatic torch body with teflon insulation, nickel coated brazen outer tube
with cooling ribs, very massive power conduit, front ceramic insulation, complete with
insulator and contact tip holder M8.**

1	60910001	Swan neck
5	60291501	AUTomatic-torch body
8	15912301	Polyamid-torch body

**Handles complete with switch and screws
Ball joints or sockets are also included**

10	91912535	Ratio-handle 18mm with ball joint
10	91912435	Ratio-handle 18mm (**without ball joint**)
N.i.	91912438	Ratio microswitch DC2
N.i.	91912439	Push button red for Ratio handle also fits RAUCH handle
N.i.	91912441	Spring fits button Ratio grip handle and RAUCH grip handle
11	91912102	Industry-handle 18mm with ball joint
11	91912331	Industry-handle 18mm (**without ball joint**)
N.i.	91920411	Switch-set fits industry-handle for 16/18/20mm (11 parts)
N.i.	91920702	Screw M3x11,5mm fits Ratio/Industry/RAUCH handle and cable support
N.i.	91920703	M3 mounting socket fits Ratio/Industry/RAUCH handle and cable support

12	91912901	AUT handle tube, brass-cladded AD38mm for AUT-torch rubber cable support
13	91912911	Holding screw M4x6mm for AUT handle tube OD38mm
14	50191251	Rubber cable-support RETRO

16	91912704	Spring socket pistol side fits handle with ball joint
18	91912503	Cable support spring handle-side for torches with ball joint

20	36921311	Coaxial-cable 42mm ² / 3m fits EURO central adapter
20	36921411	Coaxial-cable 42mm ² / 4m fits EURO central adapter

MHS 60

Welding-torch MIG-MAG gas-cooled

320A at 60% duty cycle (CO₂) - 300A at 60% duty cycle (mixed gas)

Art.-No.		
20	36921511	Coaxial-cable 42mm ² / 5m fits EURO central adapter
21	15912211	Lock-nut M10x1-L9,5mm for coaxial-cable
22	91902811	Cable-plug fits industry-handle
23	91902901	Male connector cable-plug for machine side EURO central adapter
24	91903001	Female connector cable-plug fits machine side EURO central adapter
40	91900701	Terminal nut insulated fits EURO central adapter
41	91900101	Central adapter fixed contact-pins EURO central adapter
41	91900106	Central adapter spring contact-pins EURO central adapter
42	91900801	O-ring ID4-W1mm fits gas-nipple EURO central adapter
43	91900901	Swivel nut IT-M10x1 (rounded edges) fits EURO central adapter
49	91900561	Cable support machine side (screws included) fits EURO central adapter
N.i.	91920702	Screw M3x11,5mm fits Ratio/Industry/RAUCH handle and cable support
N.i.	91920703	M3 mounting socket fits Ratio/Industry/RAUCH handle and cable support
N.i.	91900601	Attachment screw M4x6mm fits cable support EURO central adapter
52	91912502	Cable support spring fits handles without ball joint and for EURO
62	60098011	Contact tip holder IT-M8 material: Copper, complete with insulator
62	60098012	Contact tip holder IT-M8 material: Brass, complete with insulator
63	60091201	Gas diffusor
63	60091204	HT-gas diffusor black power
64	60091211	Insulator
73	83610401	HD-contact tip M8-L36-AD10 CuCrZr 1,0
73	83612401	HD-contact tip M8-L36-AD10 CuCrZr 1,2
73	83614401	HD-contact tip M8-L36-AD10 CuCrZr 1,4
73	83608a41	HD-contact tip M8-L36-D10 CuCrZr 0,8-A for aluminium wire
73	83610a41	HD-contact tip M8-L36-D10 CuCrZr 1,0-A for aluminium wire
73	83612a41	HD-contact tip M8-L36-D10 CuCrZr 1,2-A for aluminium wire
80	60093011	Gas nozzle conical-ID14mm
81	60093001	Gas nozzle conical-ID17mm
82	60093301	Gas nozzle cylindric-ID21mm
Spirals and liners also available in other sizes on inquiry!		
90	15451311	Guide spiral-liner blue ID1,5-AD4,5 fits 3m / EURO central adapter
90	15451411	Guide spiral-liner blue ID1,5-AD4,5 fits 4m / EURO central adapter
90	15451511	Guide spiral-liner blue ID1,5-AD4,5 fits 5m / EURO central adapter
90	20451311	Guide spiral-liner red ID2,0-AD4,5 fits 3m / EURO central adapter
90	20451411	Guide spiral-liner red ID2,0-AD4,5 fits 4m / EURO central adapter
90	20451511	Guide spiral-liner red ID2,0-AD4,5 fits 5m / EURO central adapter
92	20393311	PTFE-carbon core liner ID2,0-AD3,9 fits 3m / EURO central adapter
92	20393411	PTFE-carbon core liner ID2,0-AD3,9 fits 4m / EURO central adapter
92	20393511	PTFE-carbon core liner ID2,0-AD3,9 fits 5m / EURO central adapter
92	20406311	Carbon-PA core liner ID2,0-AD4,0 fits 3m / EURO central adapter
92	20406411	Carbon-PA core liner ID2,0-AD4,0 fits 4m / EURO central adapter

MHS 60

Welding-torch MIG-MAG gas-cooled

320A at 60% duty cycle (CO₂) - 300A at 60% duty cycle (mixed gas)

Art.-No.		
92	20406511	Carbon-PA core liner ID2,0-AD4,0 fits 5m / EURO central adapter
92	20404311	ULTRA-liner (brown) ID2,0-OD4,0 fits 3m / EURO central adapter
92	20404411	ULTRA-liner (brown) ID2,0-OD4,0 fits 4m / EURO central adapter
92	20404511	ULTRA-liner (brown) ID2,0-OD4,0 fits 5m / EURO central adapter
N.i.	20405002	Brass spiral liner (marked blue) ID2,0-OD4,0mm L300mm fits liner OD3,9/4,0mm
N.i.	25405002	Bronze spiral liner (marked blue) ID2,5-OD4,0mm L300mm fits liner OD3,9/4,0mm
95	91905721	Nipple (brass L-30mm) fits spiral liner EURO central adapter AD4,5mm
96	91906111	Nipple fits core liner EURO central adapter AD3,9/4,0mm
97	91906131	O-ring ID3,5-W1,5mm fits core liners
N.i.	91906112	Support tube, brass ID4,4 - AD5,0 - L200mm