

MHS 451g

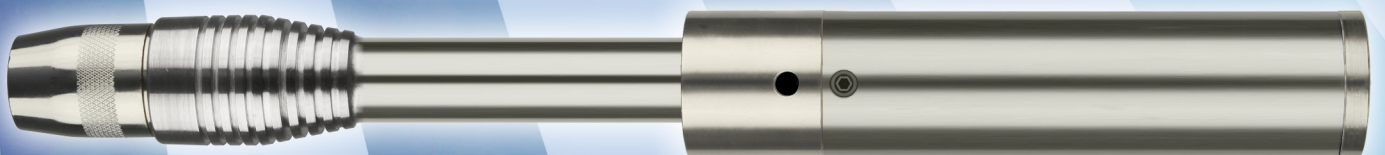
water-cooled



340 Amp./60% duty cycle (CO₂)
320 Amp./60% duty cycle (mixed gas)

Spare parts like:

MHS Mikro-21(2) water-cooled



MHS 451g

gas-cooled

Fastening spring
for gas nozzle
part No. 45191231

part No.45199101

Torch body

internal insulating disc
part No. 45191241

Splatter
protection

Gas nozzle conical
ID15mm, L 53
part No. 45193001

Gas nozzle cylindric
ID20mm, L 53
with nozzle insulator
part No. 45193301

Contact tip holder M8
part No. 25981001

HD-Contact tip M8x 30
part No. 8300001
Please fill in wire diameter



Ball joint
part No. 91912704



Ratio-handle with ball joint
part No. 91912535



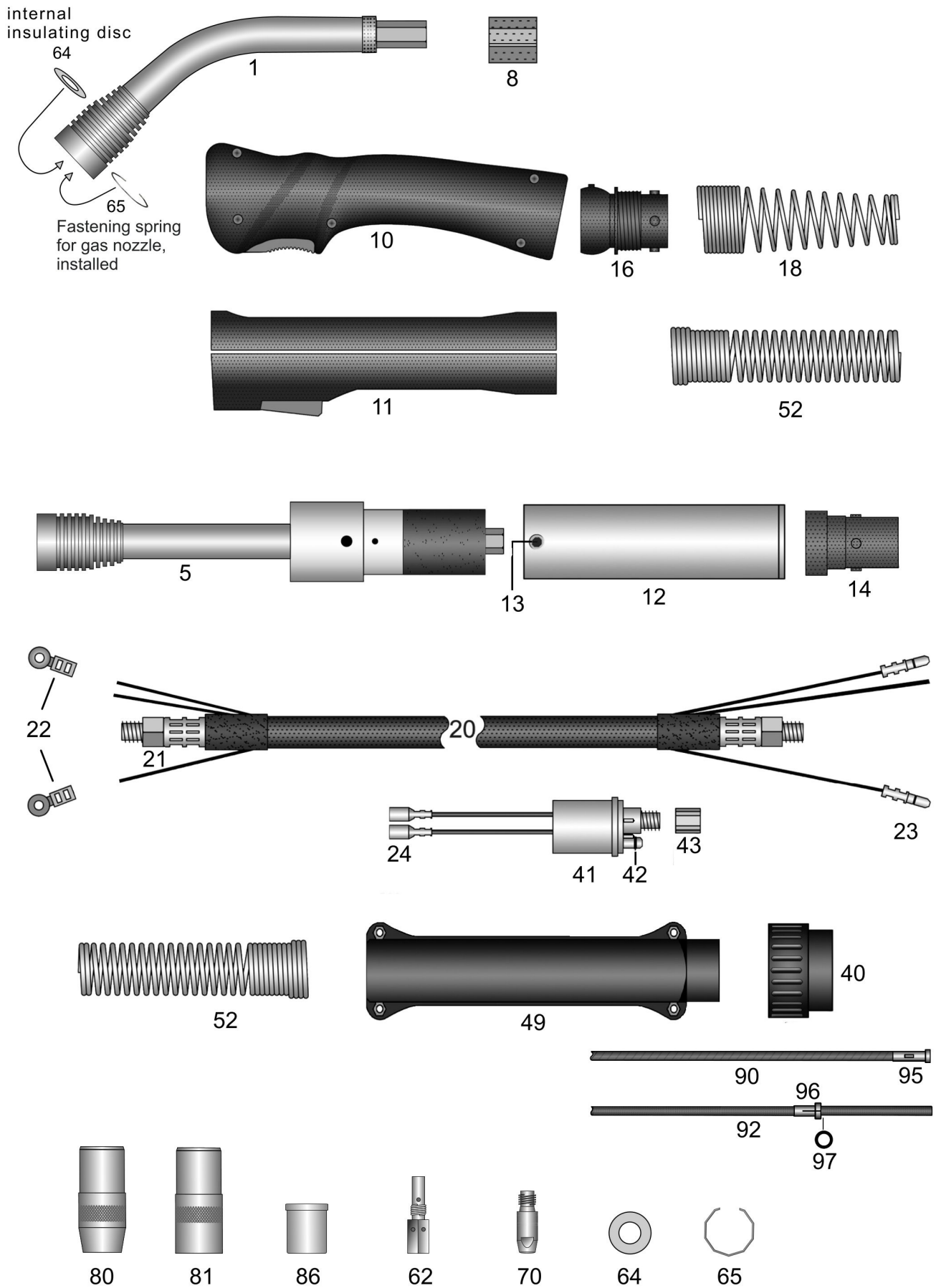
Industry-handle with ball joint
part No. 91912102

HSN 974



MHS 451g gas-cooled

340 Ampere at 60% duty cycle (CO₂) - 320 Ampere at 60% duty cycle (mixed gas)



HSN 978

MHS 451g (gas nozzle pluggable)

Welding-torch MIG-MAG gas-cooled

340A at 60% duty cycle (CO₂) - 320A at 60% duty cycle (mixed gas)

Art.-No.

Spare parts as torch MHS 451 water-cooled

451g0311	Torch MHS 451g / 3m EURO central adapter
451g0411	Torch MHS 451g / 4m EURO central adapter
451g0511	Torch MHS 451g / 5m EURO central adapter
451g5311	AUTomatic-torch MHS 451g / 3m EURO central adapter

**For torches without EURO central-adaptor the following prices apply.
Please note that for some special machine side connections surcharges may arise,
which you will find in the appendix "A" custom made products.**

451g0301	Torch MHS 451g / 3m
451g0401	Torch MHS 451g / 4m
451g0501	Torch MHS 451g / 5m
451g5301	AUTomatic-torch MHS 451g / 3m

Special lengths for hand- and AUTomatic-torches please notice appendix "B".

pg000001	Surcharge: Pistol-shape-handle / stabilizer
N.i. 91912453	Heat protection shield for pistol handle, screws included
29004602	Surcharge: Torch body with custom bending

Torch body and AUTomatic torch body with teflon insulation, nickel coated brass outer tube with cooling ribs, very massive power conduit, front ceramic insulation, complete with insulation and contact tip holder M8. Fastening spring for gas nozzle

1	451g9101	Swan neck
N.i.	30405001	Surcharge: with brazen inner tube ID3-AD4mm for aluminium wire
5	451g9151	AUTomatic-torch body
8	15912301	Polyamid-torch body

Handles complete with switch and screws Ball joints or sockets are also included

10	91912535	Ratio-handle 18mm with ball joint
10	91912435	Ratio-handle 18mm (**without ball joint**)
N.i.	91912438	Ratio microswitch DC2
N.i.	91912439	Push button red for Ratio handle also fits RAUCH handle
N.i.	91912441	Spring fits button Ratio grip handle and RAUCH grip handle
11	91912102	Industry-handle 18mm with ball joint
11	91912331	Industry-handle 18mm (**without ball joint**)
N.i.	91920411	Switch-set fits industry-handle for 16/18/20mm (11 parts)
N.i.	91920702	Screw M3x11,5mm fits Ratio/Industry/RAUCH handle and cable support
N.i.	91920703	M3 mounting socket fits Ratio/Industry/RAUCH handle and cable support
12	91912901	AUT handle tube, brass-cladded AD38mm for AUT-torch rubber cable support
13	91912911	Holding screw M4x6mm for AUT handle tube OD38mm
14	50191251	Rubber cable-support RETRO
16	91912704	Spring socket pistol side fits handle with ball joint
18	91912503	Cable support spring handle-side for torches with ball joint
20	36921311	Coaxial-cable 42mm ² / 3m fits EURO central adapter
20	36921411	Coaxial-cable 42mm ² / 4m fits EURO central adapter
20	36921511	Coaxial-cable 42mm ² / 5m fits EURO central adapter

MHS 451g (gas nozzle pluggable)

Welding-torch MIG-MAG gas-cooled

340A at 60% duty cycle (CO₂) - 320A at 60% duty cycle (mixed gas)

Art.-No.		
21	15912211	Lock-nut M10x1-L9,5mm for coaxial-cable
22	91902811	Cable-plug fits industry-handle
23	91902901	Male connector cable-plug for machine side EURO central adapter
24	91903001	Female connector cable-plug fits machine side EURO central adapter
40	91900701	Terminal nut insulated fits EURO central adapter
41	91900101	Central adapter fixed contact-pins EURO central adapter
41	91900106	Central adapter spring contact-pins EURO central adapter
42	91900801	O-ring ID4-W1mm fits gas-nipple EURO central adapter
43	91900901	Swivel nut IT-M10x1 (rounded edges) fits EURO central adapter
49	91900561	Cable support machine side (screws included) fits EURO central adapter
N.i.	91920702	Screw M3x11,5mm fits Ratio/Industry/RAUCH handle and cable support
N.i.	91920703	M3 mounting socket fits Ratio/Industry/RAUCH handle and cable support
N.i.	91900601	Attachment screw M4x6mm fits cable support EURO central adapter
52	91912502	Cable support spring fits handles without ball joint and for EURO
62	25981001	Contact tip holder IT-M8-SW10-L35mm
64	45191241	Insulation disc HT-200 MHS 451g and MHS 451
65	45191231	Nozzle spring for gas nozzle Typ 451
70	83008001	Contact tip M8-L30-AD10 0,8
70	83010001	Contact tip M8-L30-AD10 1,0
70	83012001	Contact tip M8-L30-AD10 1,2
70	83014001	Contact tip M8-L30-AD10 1,4
70	83016001	Contact tip M8-L30-AD10 1,6
70	83008301	Contact tip M8-L30-AD10 0,8 nickel-plated
70	83010301	Contact tip M8-L30-AD10 1,0 nickel-plated
70	83012301	Contact tip M8-L30-AD10 1,2 nickel-plated
70	83014301	Contact tip M8-L30-AD10 1,4 nickel-plated
70	83016301	Contact tip M8-L30-AD10 1,6 nickel-plated
70	83008401	Contact tip M8-L30-D10 CuCrZr 0,8
70	83010401	Contact tip M8-L30-D10 CuCrZr 1,0
70	83012401	Contact tip M8-L30-D10 CuCrZr 1,2
70	83014401	Contact tip M8-L30-D10 CuCrZr 1,4
70	83016401	Contact tip M8-L30-D10 CuCrZr 1,6
70	83008a01	Contact tip M8-L30-D10 0,8-A for aluminium wire
70	83010a01	Contact tip M8-L30-D10 1,0-A for aluminium wire
70	83012a01	Contact tip M8-L30-D10 1,2-A for aluminium wire
70	83016a01	Contact tip M8-L30-D10 1,6-A for aluminium wire
80	45193001	Gas nozzle conical-ID16mm MHS 451g and MHS 451
81	45193301	Gas nozzle cylindric-ID20mm MHS 451 and MHS 451g
86	45191211	Splatter protection MHS 451 and MHS 451g
Spirals and liners also available in other sizes on inquiry!		
90	15451311	Guide spiral-liner blue ID1,5-AD4,5 fits 3m / EURO central adapter
90	15451411	Guide spiral-liner blue ID1,5-AD4,5 fits 4m / EURO central adapter
90	15451511	Guide spiral-liner blue ID1,5-AD4,5 fits 5m / EURO central adapter
90	20451311	Guide spiral-liner red ID2,0-AD4,5 fits 3m / EURO central adapter

MHS 451g (gas nozzle pluggable)

Welding-torch MIG-MAG gas-cooled

340A at 60% duty cycle (CO₂) - 320A at 60% duty cycle (mixed gas)

Art.-No.		
90	20451411	Guide spiral-liner red ID2,0-AD4,5 fits 4m / EURO central adapter
90	20451511	Guide spiral-liner red ID2,0-AD4,5 fits 5m / EURO central adapter
90	23481311	Spiral-liner green ID2,3-AD4,8 fits 3m / EURO central adapter
90	23481411	Spiral-liner green ID2,3-AD4,8 fits 4m / EURO central adapter
90	23481511	Spiral-liner green ID2,3-AD4,8 fits 5m / EURO central adapter
90	25451311	Flatwire spiral-liner yellow ID2,5-AD4,5 fits 3m / EURO central adapter
90	25451411	Flatwire spiral-liner yellow ID2,5-AD4,5 fits 4m / EURO central adapter
90	25451511	Flatwire spiral-liner yellow ID2,5-AD4,5 fits 5m / EURO central adapter
92	20393311	PTFE-carbon core liner ID2,0-AD3,9 fits 3m / EURO central adapter
92	20393411	PTFE-carbon core liner ID2,0-AD3,9 fits 4m / EURO central adapter
92	20393511	PTFE-carbon core liner ID2,0-AD3,9 fits 5m / EURO central adapter
92	20406311	Carbon-PA core liner ID2,0-AD4,0 fits 3m / EURO central adapter
92	20406411	Carbon-PA core liner ID2,0-AD4,0 fits 4m / EURO central adapter
92	20406511	Carbon-PA core liner ID2,0-AD4,0 fits 5m / EURO central adapter
92	20404311	ULTRA-liner (brown) ID2,0-OD4,0 fits 3m / EURO central adapter
92	20404411	ULTRA-liner (brown) ID2,0-OD4,0 fits 4m / EURO central adapter
92	20404511	ULTRA-liner (brown) ID2,0-OD4,0 fits 5m / EURO central adapter
N.i.	20405002	Brass spiral liner (marked blue) ID2,0-OD4,0mm L300mm fits liner OD3,9/4,0mm
95	91905721	Nipple (brass L-30mm) fits spiral liner EURO central adapter AD4,5mm
96	91906111	Nipple fits core liner EURO central adapter AD3,9/4,0mm
97	91906131	O-ring ID3,5-W1,5mm fits core liners
N.i.	91906112	Support tube, brass ID4,4 - AD5,0 - L200mm