

MHS 32

gas-cooled



280 Amp./60% duty cycle (CO₂)
250 Amp./60% duty cycle (mixed gas)

Spare parts like:

MHS 353-R water-cooled

MHS 353-R-SUPER water-cooled

MHS 32

gas-cooled

part No.32091001

Torch body

Contact tip holder IG M6 with snapping part No. 32980001

Gas diffusor-insulating (standard) part No. 32912001

Swivel nut part No. 32912101

drilled out version (ID-23,15mm) Swivel nut for gas nozzle massy design part No. 32912102

Contact tip holder IG M8 with snapping part No. 32980002

Gas diffusor-insulating for contact tip M8 part No. 32912002

Gas nozzle massy design (no swivel nut required) to use with HT-Gas diffusor „Black Power“ part No. 32912014

Gas nozzle part No. 32936001

Ball joint part No. 91912704

Ratio-handle with ball joint part No. 91912534

Industry-handle with ball joint part No. 91912101

Gas nozzle conical ID12mm part No. 32930001

Gas nozzle conical ID15mm part No. 32931001

Gas nozzle conical ID16mm massy design (2mm) part No.32932001

Gas nozzle cylindrical ID19mm part No. 32933001

Contact tip M8 x 30 part No. 830□001 part No. 830□401(CuCrZr) part No. 830□301(nickel plated) □ Please fill in wire diameter

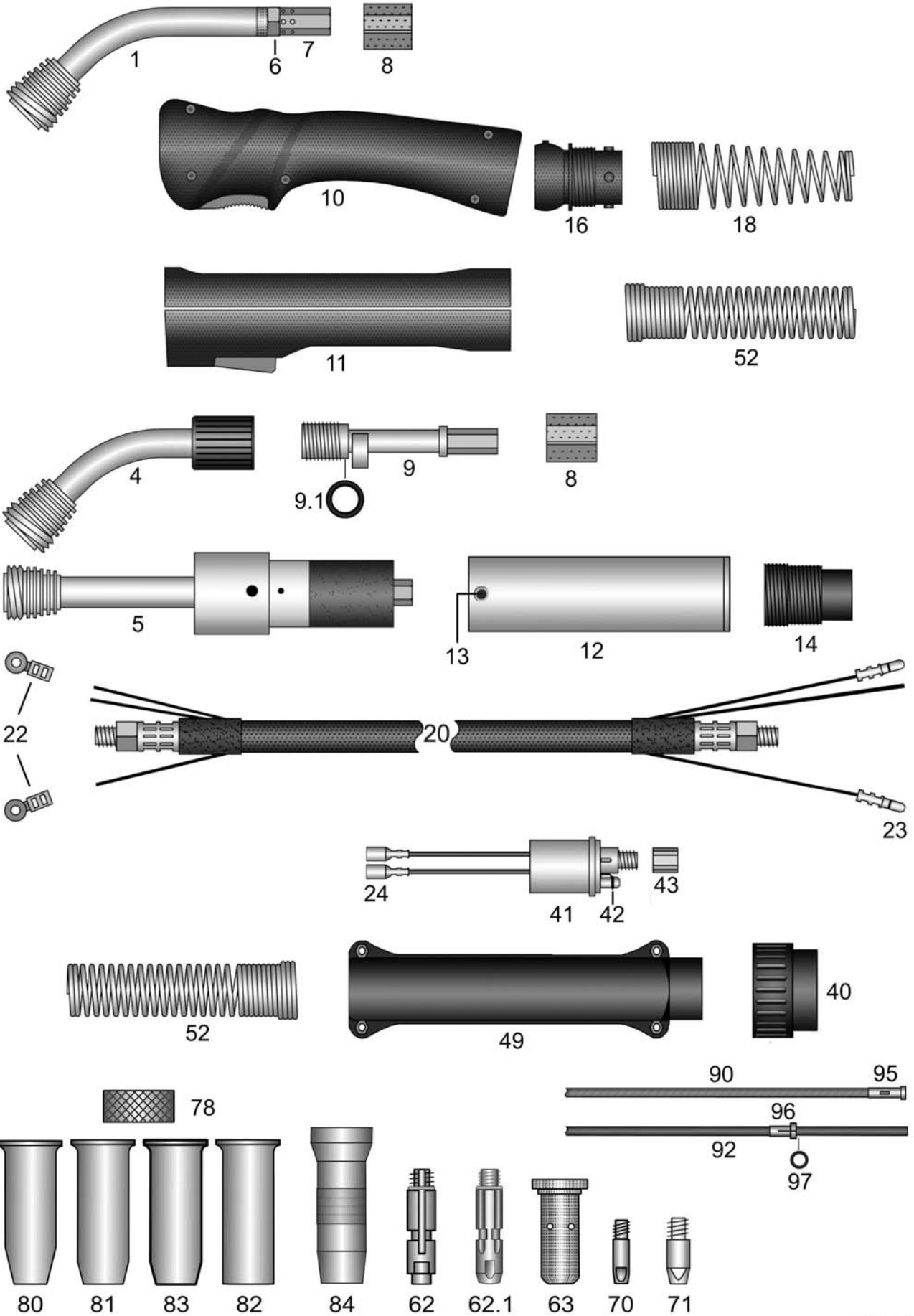
Contact tip M6 x 28 part No. 628□001 part No. 628□401(CuCrZr) part No. 628□301(nickel plated) □ Please fill in wire diameter

HSN 650-2



MHS 32 gas-cooled

280 Ampere at 60% duty cycle (CO₂) - 250 Ampere at 60% duty cycle (mixed gas)



HSN 120-3

MHS 32

Welding-torch MIG-MAG gas-cooled

280A at 60% duty cycle (CO₂) - 250A at 60% duty cycle (mixed gas)

Art.-No.

Spare parts as torch MHS 353-R/ 353-R-SUPER water-cooled

32000311 Torch MHS 32 / 3m EURO central adapter 35mm²

32000411 Torch MHS 32 / 4m EURO central adapter 35mm²

32000511 Torch MHS 32 / 5m EURO central adapter 35mm²

32100311 DR Torch MHS 32 / 3m EURO central adapter 35mm²

32100411 DR Torch MHS 32 / 4m EURO central adapter 35mm²

32100511 DR Torch MHS 32 / 5m EURO central adapter 35mm²

32050311 AUTomatic-torch MHS 32 / 3m EURO central adapter 35mm²

32150311 DR AUTomatic-torch MHS 32 / 3m EURO central adapter 35mm²

For torches without EURO central-adaptor the following prices apply.
Please note that for some special machine side connections surcharges may arise,
which you will find in the appendix "A" custom made products.

32000301 Torch MHS 32 / 3m 35mm²

32000401 Torch MHS 32 / 4m 35mm²

32000501 Torch MHS 32 / 5m 35mm²

32100301 DR Torch MHS 32 / 3m 35mm²

32100401 DR Torch MHS 32 / 4m 35mm²

32100501 DR Torch MHS 32 / 5m 35mm²

32050301 AUTomatic-torch MHS 32 / 3m 35mm²

32150301 DR AUTomatic-torch MHS 32 / 3m 35mm²

Special lengths for hand- and AUTomatic-torches
please notice appendix "B".

pg000001 Surcharge: Pistol-shape-handle / stabilizer

N.i. 91912453 Heat protection shield for pistol handle, screws included

29004602 Surcharge: Torch body with custom bending

All torch bodies and AUTomatic torch bodies with teflon insulation,
nickel coated brazen outer tube with cooling ribs, very massive power conduit,
complete with contact tip holder.

1 32091001 Swan neck

4 32191001 DR Swan neck MHS 32

5 32091501 AUTomatic-torch body

6 15912201 Lock-nut M10x1-L6mm for swan neck

7 15912401 Torch body brass SW12-L26mm

8 15912301 Polyamid-torch body

9 15912602 DR Torch body brass fits ratio handle

9 15912601 DR Torch body brass fits industry-handle

N.i. 15912651 Auxiliary torch body fits coaxial cable

9.1 91903604 O-ring ID19-W2,4mm

Handles, complete with switch, screws and ball joint or sockets!
Handles with hole-20mm are for swivel neck torches (DR torches).

10 91912534 Ratio-handle 16mm with ball joint

MHS 32

Welding-torch MIG-MAG gas-cooled

280A at 60% duty cycle (CO₂) - 250A at 60% duty cycle (mixed gas)

Art.-No.		
10	91912536	Ratio-handle 20mm with ball joint
10	91912434	Ratio-handle 16mm (** *without ball joint** *)
10	91912436	Ratio-handle 20mm (** *without ball joint** *)
N.i.	91912438	Ratio microswitch DC2
N.i.	91912439	Push button red for Ratio handle also fits RAUCH handle
N.i.	91912441	Spring fits button Ratio grip handle and RAUCH grip handle
11	91912101	Industry-handle 16mm with ball joint
11	91912103	Industry-handle 20mm with ball joint
11	91912231	Industry-handle 16mm (** *without ball joint** *)
11	91912431	Industry-handle 20mm (** *without ball joint** *)
N.i.	91920411	Switch-set fits industry-handle for 16/18/20mm (11 parts)
N.i.	91920702	Screw M3x11,5mm fits Ratio/Industry/RAUCH handle and cable support
N.i.	91920703	M3 mounting socket fits Ratio/Industry/RAUCH handle and cable support
12	91912901	AUT handle tube, brass-cladded AD38mm for AUT-torch rubber cable support
13	91912911	Holding screw M4x6mm for AUT handle tube OD38mm
14	15912801	Rubber cable-support small for coaxial-cable
16	91912704	Spring socket pistol side fits handle with ball joint
18	91912503	Cable support spring handle-side for torches with ball joint
20	25920311	Coaxial-cable 35mm ² / 3m fits EURO central adapter
20	25920411	Coaxial-cable 35mm ² / 4m fits EURO central adapter
20	25920511	Coaxial-cable 35mm ² / 5m fits EURO central adapter
21	15912211	Lock-nut M10x1-L9,5mm for coaxial-cable
22	91902811	Cable-plug fits industry-handle
23	91902901	Male connector cable-plug for machine side EURO central adapter
24	91903001	Female connector cable-plug fits machine side EURO central adapter
40	91900701	Terminal nut insulated fits EURO central adapter
41	91900101	Central adapter fixed contact-pins EURO central adapter
41	91900106	Central adapter spring contact-pins EURO central adapter
42	91900801	O-ring ID4-W1mm fits gas-nipple EURO central adapter
43	91900901	Swivel nut IT-M10x1 (rounded edges) fits EURO central adapter
49	91900561	Cable support machine side (screws included) fits EURO central adapter
N.i.	91920702	Screw M3x11,5mm fits Ratio/Industry/RAUCH handle and cable support
N.i.	91920703	M3 mounting socket fits Ratio/Industry/RAUCH handle and cable support
N.i.	91900601	Attachment screw M4x6mm fits cable support EURO central adapter
52	91912502	Cable support spring fits handles without ball joint and for EURO
62	32980001	Contact tip holder IT-M6 with snapping
62.1	32980002	Contact tip holder IT-M8 with snapping
63	32912001	Gas diffusor-insulating fits contact tip M6-L28-D8
63	32912002	Gas diffusor-insulating fits contact tip M8-L30-AD10
63	32912004	HT-gasdiffusor black power fits contact tip M6-L28-D8
63	32912014	HT-gasdiffusor black power fits contact tip M8-L30-AD10
70	62808001	Contact tip M6-L28-AD8 0,8
70	62810001	Contact tip M6-L28-AD8 1,0

MHS 32

Welding-torch MIG-MAG gas-cooled

280A at 60% duty cycle (CO₂) - 250A at 60% duty cycle (mixed gas)

Art.-No.		
70	62812001	Contact tip M6-L28-AD8 1,2
70	62814001	Contact tip M6-L28-AD8 1,4
70	62808401	Contact tip M6-L28-AD8 CuCrZr 0,8
70	62810401	Contact tip M6-L28-AD8 CuCrZr 1,0
70	62812401	Contact tip M6-L28-AD8 CuCrZr 1,2
70	62808301	Contact tip M6-L28-AD8 0,8 nickel-plated
70	62810301	Contact tip M6-L28-AD8 1,0 nickel-plated
70	62812301	Contact tip M6-L28-AD8 1,2 nickel-plated
70	62814301	Contact tip M6-L28-AD8 1,4 nickel-plated
70	62808a01	Contact tip M6-L28-D8 0,8-A for aluminium wire
70	62810a01	Contact tip M6-L28-D8 1,0-A for aluminium wire
70	62812a01	Contact tip M6-L28-D8 1,2-A for aluminium wire
71	83008001	Contact tip M8-L30-AD10 0,8
71	83010001	Contact tip M8-L30-AD10 1,0
71	83012001	Contact tip M8-L30-AD10 1,2
71	83014001	Contact tip M8-L30-AD10 1,4
71	83010401	Contact tip M8-L30-D10 CuCrZr 1,0
71	83012401	Contact tip M8-L30-D10 CuCrZr 1,2
71	83014401	Contact tip M8-L30-D10 CuCrZr 1,4
71	83008301	Contact tip M8-L30-AD10 0,8 nickel-plated
71	83010301	Contact tip M8-L30-AD10 1,0 nickel-plated
71	83012301	Contact tip M8-L30-AD10 1,2 nickel-plated
71	83014301	Contact tip M8-L30-AD10 1,4 nickel-plated
71	83008a01	Contact tip M8-L30-D10 0,8-A for aluminium wire
71	83010a01	Contact tip M8-L30-D10 1,0-A for aluminium wire
71	83012a01	Contact tip M8-L30-D10 1,2-A for aluminium wire
78	32912101	Swivel nut for gas nozzle
N.i.	32912102	Swivel nut for gas nozzle widened fits heavy gass nozzle
80	32930001	Gas nozzle conical-ID12mm
81	32931001	Gas nozzle conical-ID15mm
82	32933001	Gas nozzle cylindric-ID19mm
83	32932001	Gas nozzle conical-ID16mm massy design
84	32936001	Gas nozzle conical-ID16mm massy design (no swivel nut required)
Spirals and liners also available in other sizes on inquiry!		
90	15451311	Guide spiral-liner blue ID1,5-AD4,5 fits 3m / EURO central adapter
90	15451411	Guide spiral-liner blue ID1,5-AD4,5 fits 4m / EURO central adapter
90	15451511	Guide spiral-liner blue ID1,5-AD4,5 fits 5m / EURO central adapter
90	20451311	Guide spiral-liner red ID2,0-AD4,5 fits 3m / EURO central adapter
90	20451411	Guide spiral-liner red ID2,0-AD4,5 fits 4m / EURO central adapter
90	20451511	Guide spiral-liner red ID2,0-AD4,5 fits 5m / EURO central adapter
92	20393311	PTFE-carbon core liner ID2,0-AD3,9 fits 3m / EURO central adapter
92	20393411	PTFE-carbon core liner ID2,0-AD3,9 fits 4m / EURO central adapter

MHS 32

Welding-torch MIG-MAG gas-cooled

280A at 60% duty cycle (CO₂) - 250A at 60% duty cycle (mixed gas)

Art.-No.		
92	20393511	PTFE-carbon core liner ID2,0-AD3,9 fits 5m / EURO central adapter
92	20406311	Carbon-PA core liner ID2,0-AD4,0 fits 3m / EURO central adapter
92	20406411	Carbon-PA core liner ID2,0-AD4,0 fits 4m / EURO central adapter
92	20406511	Carbon-PA core liner ID2,0-AD4,0 fits 5m / EURO central adapter
92	20404311	ULTRA-liner (brown) ID2,0-OD4,0 fits 3m / EURO central adapter
92	20404411	ULTRA-liner (brown) ID2,0-OD4,0 fits 4m / EURO central adapter
92	20404511	ULTRA-liner (brown) ID2,0-OD4,0 fits 5m / EURO central adapter
N.i.	20405002	Brass spiral liner (marked blue) ID2,0-OD4,0mm L300mm fits liner OD3,9/4,0mm
N.i.	25405002	Bronze spiral liner (marked blue) ID2,5-OD4,0mm L300mm fits liner OD3,9/4,0mm
95	91905721	Nipple (brass L-30mm) fits spiral liner EURO central adapter AD4,5mm
96	91906111	Nipple fits core liner EURO central adapter AD3,9/4,0mm
97	91906131	O-ring ID3,5-W1,5mm fits core liners
N.i.	91906112	Support tube, brass ID4,4 - AD5,0 - L200mm
Mounting spiral for use with DR Torch Bodies (shorten as needed)		
N.i.	dr193901	Mounting spiral (steel) for DR torches L250mm ID1,9-AD3,9mm complete with slotted outer gas conduit
N.i.	dr253901	Mounting spiral (steel) for DR torches L250mm ID2,5-AD3,9mm complete with slotted outer gas conduit
N.i.	dr204001	Mounting spiral (brass) for DR torches L250mm ID2,0-AD4,0mm complete with slotted outer gas conduit
N.i.	dr254001	Mounting spiral (bronze) for DR torches L250mm ID2,5-AD4,0mm complete with slotted outer gas conduit