

MHS 312

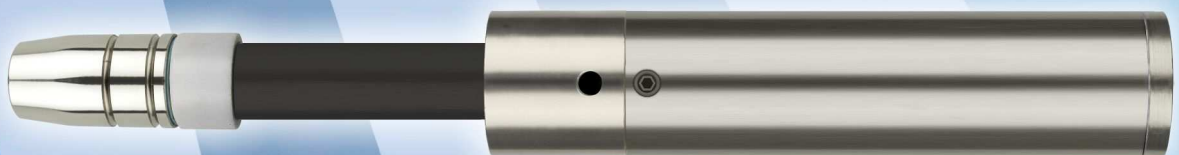
with screwable gas nozzle M14
water-cooled



320 Amp./ 60% duty cycle (CO₂)
280 Amp./ 60% duty cycle (mixed gas)

Spare parts like:

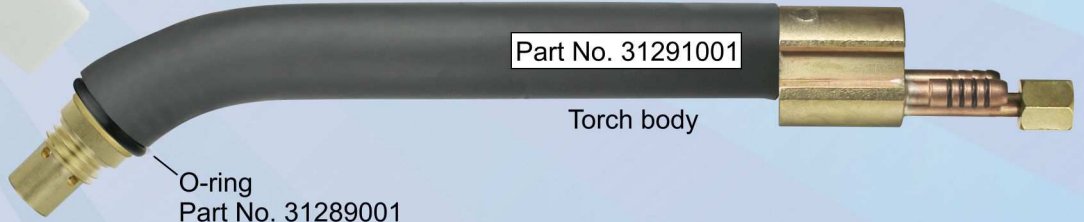
MHS Manni-164 gas-cooled



MHS 312 with screwable gas nozzle M14

water-cooled

Teflon insulator
Part No. 35291201



Part No. 31291001

Torch body

O-ring
Part No. 31289001



Ball joint
Part No. 91912704



Gas nozzle conical ID 13mm
Part No. 3129301M



Gas nozzle conical ID 15mm
Part No. 3129302M



Part No. 31293001



Ratio-handle with ball joint
Part No. 91912536



Industry-handle with ball joint
Part No. 91912103



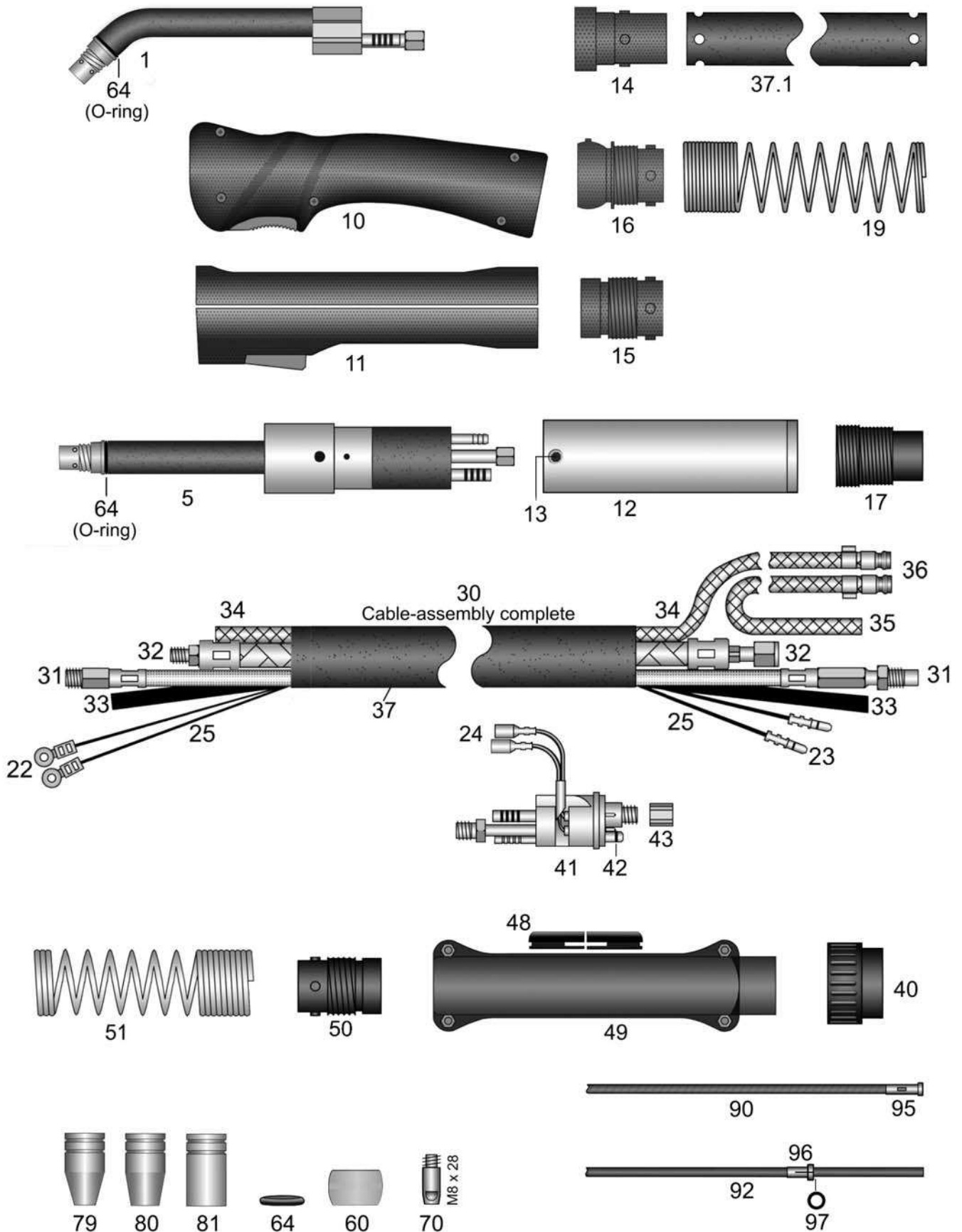
Contact tip M8 x 28
Part No. 828 □ 401(CuCrZr)
□ Please fill in wire diameter

HSN 667

MHS 312 water-cooled



320 Ampere at 60% duty cycle (CO₂) - 280 Ampere at 60% duty cycle (mixed gas)



HSN 137B-1

MHS 312

Welding-torch MIG-MAG water-cooled

320A at 60% duty cycle (CO₂) - 280A at 60% duty cycle (mixed gas)

Art.-No.

Spare parts as torch MHS Manni-164 gas-cooled

31200311	Torch MHS 312 / 3m EURO central adapter
31200411	Torch MHS 312 / 4m EURO central adapter
31200511	Torch MHS 312 / 3m EURO central adapter
31205311	AUTomatic-torch MHS 312 / 3m EURO central adapter

**For torches without EURO central-adaptor the following prices apply.
Please note that for some special machine side connections surcharges may arise,
which you will find in the appendix "A" custom made products.**

31200301	Torch MHS 312 / 3m
31200401	Torch MHS 312 / 4m
31200501	Torch MHS 312 / 5m
31205301	AUTomatic-torch MHS 312 / 3m

**Special lengths for hand- and AUTomatic-torches
please notice appendix "B".**

**Torches with flexible and highly heat resistant cable assemblies available for small
surcharges! Please see appendix "B"**

pg000001	Surcharge: Pistol-shape-handle / stabilizer
N.i. 91912453	Heat protection shield for pistol handle, screws included
29004602	Surcharge: Torch body with custom bending
91900102	Adapter EURO central adapter fits power source with Dinse central adapter

**Torch bodies and AUTomatic torch bodies with rubber insulation,
very massive power conduit and small bending radius, max. cooling water conduits,
complete with o-ring and teflon protection sleeve.**

1	31291001	Torch body 312
N.i.	30405001	Surcharge: with brazen inner tube ID3-AD4mm for aluminium wire
5	31291503	AUTomatic-torch body 312

**Handles complete with switch and screws
Ball joints are also included**

10	91912536	Ratio-handle 20mm with ball joint
10	91912436	Ratio-handle 20mm standard (without ball joint)
N.i.	91912438	Ratio microswitch DC2 also fits RAUCH handle
N.i.	91912439	Push button red for Ratio handle also fits RAUCH handle
N.i.	91912441	Spring fits button Ratio grip handle / RAUCH grip handle
11	91912103	Industry-handle 20mm with ball joint
11	91912431	Industry-handle 20mm standard (without ball joint)
N.i.	91920411	Switch-set fits industry-handle for 16/18/20mm (11 parts)
N.i.	91920702	Screw M3x11,5mm fits Ratio/Industry/RAUCH handle and cable support
N.i.	91920703	M3 mounting socket fits Ratio/Industry/RAUCH handle and cable support

12	91912921	AUT handle tube, brass-cladded AD38mm for AUT-torch standard
13	91912911	Holding screw M4x6mm fits AUT handle tube

14	50191251	Rubber cable-support RETRO
15	91912701	Spring socket pistol side fits handle without ball joint
16	91912704	Spring socket pistol side fits handle with ball joint

MHS 312

Welding-torch MIG-MAG water-cooled

320A at 60% duty cycle (CO₂) - 280A at 60% duty cycle (mixed gas)

Art.-No.		
17	91912711	AUT spring socket
19	91912501	Cable support spring pistol-side fits water-cooled torches
N.i.	91912511	AUT cable support spring (long design)
N.i.	91912521	AUT suspension spring
N.i.	91912531	AUT carabiner
N.i.	10089001	Single stroke button (rubber)
22	91902811	Cable-plug fits industry-handle
23	91902901	Male connector cable-plug for machine side EURO central adapter
24	91903001	Female connector cable-plug fits machine side EURO central adapter
25	91902502	Meter control line flat, 4x0,5mm ² (available on reels 200m)
Spare cable-assemblies complete with cable support spring and fittings. Standard or with ball joint - please specify!		
30	09200312	Spare cable assembly 3m / without EURO central adapter
30	09200412	Spare cable assembly 4m / without EURO central adapter
30	09200512	Spare cable assembly 5m / without EURO central adapter
Supply lines and thermo-hoses, superflexible and highly heat resistant please see appendix "C" and "D"		
31	0950a311	Wire conduit flexible MHS / 3m EURO central adapter (flexible)
31	0950a411	Wire conduit flexible MHS / 4m EURO central adapter (flexible)
31	0950a511	Wire conduit flexible MHS / 5m EURO central adapter (flexible)
32	09400311	ST 80 PVC-NIT power/water cable MHS / 3m EURO central adapter
32	09400411	ST 80 PVC-NIT power/water cable MHS / 4m EURO central adapter
32	09400511	ST 80 PVC-NIT power/water cable MHS / 5m EURO central adapter
Supply lines for AUTomatic torches.		
31	0950d311	AUT wire conduit MHS / 3m EURO central adapter white (hard)
32	09400313	HT 110 rubber fabric hose power/water cable MHS / 3m EURO central adapter
Reel goods: Prices are per meter and only applicable if a complete reel is purchased.		
33	41500001	Meter ST 70 PVC hose ID4,0-W1,5mm black for gas (100m)
34	50170001	Meter ST 80 PVC-NIT fabric hose ID5,0-W1,7mm blue for water (100m)
35	50171001	Meter ST 80 PVC-NIT fabric hose ID5,0-W1,7mm red for water (100m)
36	91901001	Cooling liquid plug nipples EURO
N.i.	91901008	Closing cap blue fits cooling liquid plug nipples EURO
N.i.	91901009	Closing cap red fits cooling liquid plug nipples EURO
37	25151001	Meter rubberized fabric protective hose ID25-W1,5mm (40m)
37.1	25151311	Rubberized fabric protective hose ID25-W1,5mm perforated fits 3m / EURO central adapter
37.1	25151411	Rubberized fabric protective hose ID25-W1,5mm perforated fits 4m / EURO central adapter
37.1	25151511	Rubberized fabric protective hose ID25-W1,5mm perforated fits 5m / EURO central adapter
40	91900701	Terminal nut insulated fits EURO central adapter
41	91900201	Central adapter fixed contact-pins EURO central adapter
41	91900206	Central adapter spring contact-pins EURO central adapter
42	91900801	O-ring ID4-W1mm fits gas-nipple EURO central adapter
43	91900901	Swivel nut IT-M10x1 (rounded edges) fits EURO central adapter

MHS 312

Welding-torch MIG-MAG water-cooled

320A at 60% duty cycle (CO₂) - 280A at 60% duty cycle (mixed gas)

Art.-No.		
48	91901011	Rubber-hose-fence fits cable support
49	91900561	Cable support machine side (screws included) EURO central adapter
N.i.	91920702	Screw M3x11,5mm fits Ratio/Industry/RAUCH handle and cable support
N.i.	91920703	M3 mounting socket fits Ratio/Industry/RAUCH handle and cable support
N.i.	91900601	Attachment screw M4x6mm fits cable support EURO central adapter
50	91912801	Spring-socket EURO central adapter
51	91912601	Cable support spring fits EURO / ESAB central adapter
60	lu912001	Teflon protection sleeve LURCHI / MHS 312
64	31289001	O-ring ID-13mm-W4mm
70	82808401	Contact tip M8-L28-D10 CuCrZr 0,8 (MHS Manni-164 + LURCHI-220/320 + MHS 312 + Dinse)
70	82810401	Contact tip M8-L28-D10 CuCrZr 1,0 (MHS Manni-164 + LURCHI-220/320 + MHS 312 + Dinse)
70	82812401	Contact tip M8-L28-D10 CuCrZr 1,2 (MHS Manni-164 + LURCHI-220/320 + MHS 312 + Dinse)
70	82808a41	Contact tip M8-L28-D10 0,8-A CuCrZr (MHS Manni-164 + LURCHI-220/320 + MHS 312 + Dinse) for aluminium wire
70	82810a41	Contact tip M8-L28-D10 1,0-A CuCrZr (MHS Manni-164 + LURCHI-220/320 + MHS 312 + Dinse) for aluminium wire
70	82812a41	Contact tip M8-L28-D10 1,2-A CuCrZr (MHS Manni-164 + LURCHI-220/320 + MHS 312 + Dinse) for aluminium wire
79	3129301M	Gas nozzle screwable M14 conical-ID13mm L-40mm (MHS Manni-164 + LURCHI-220 / LURCHI-320 + MHS 312)
80	3129302M	Gas nozzle screwable M14 conical-ID15mm L-40mm (MHS Manni-164 + LURCHI-220 / LURCHI-320 + MHS 312)
81	31293001	Gas nozzle screwable M14 cylindric-ID18mm L-40mm (MHS Manni-164 + LURCHI-220 / LURCHI-320 + MHS 312)
N.i.	3129303M	Ceramic-screwable gas nozzle M14 conical-ID15mm L40mm (MHS Manni-164 + LURCHI-220 / LURCHI-320 + MHS 312)
Spirals and liners also available in other sizes on inquiry!		
90	20450311	Guide spiral-liner ID2,0-AD4,5 fits 3m / EURO central adapter
90	20450411	Guide spiral-liner ID2,0-AD4,5 fits 4m / EURO central adapter
90	20450511	Guide spiral-liner ID2,0-AD4,5 fits 5m / EURO central adapter
92	20393311	PTFE-carbon core liner ID2,0-AD3,9 fits 3m / EURO central adapter
92	20393411	PTFE-carbon core liner ID2,0-AD3,9 fits 4m / EURO central adapter
92	20393511	PTFE-carbon core liner ID2,0-AD3,9 fits 5m / EURO central adapter
92	23476311	PA-core liner black ID2,3-AD4,7 fits 3m / EURO central adapter
92	23476411	PA-core liner black ID2,3-AD4,7 fits 4m / EURO central adapter
92	23476511	PA-core liner black ID2,3-AD4,7 fits 5m / EURO central adapter
92	20406311	PA-carbon core liner black ID2,0-AD4,0 fits 3m / EURO central adapter
92	20406411	PA-carbon core liner black ID2,0-AD4,0 fits 4m / EURO central adapter
92	20406511	PA-carbon core liner black ID2,0-AD4,0 fits 5m / EURO central adapter
N.i.	20405002	Brass spiral liner blue L300mm IG fits AD3,9/4,0mm
N.i.	20405001	Brass spiral liner green L300mm IG fits AD4,7mm
95	91905721	Nipple (brass L-30mm) fits spiral liner EURO central adapter AD 4,5mm

MHS 312

Welding-torch MIG-MAG water-cooled

320A at 60% duty cycle (CO2) - 280A at 60% duty cycle (mixed gas)

Art.-No.		
96	91906111	Nipple fits core liner EURO central adapter AD3,9/4,0mm
96	91906121	Nipple fits core liner EURO central adapter AD 4,7mm
97	91906131	O-ring ID3,5-W1,5mm fits core liners
N.i.	91906112	Support tube, brass ID4,4 - AD5,0 - L200mm