

MHS 24-KD

gas-cooled

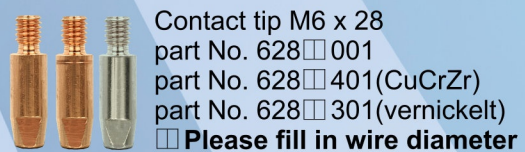
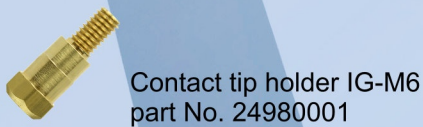
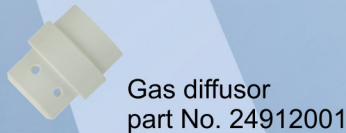
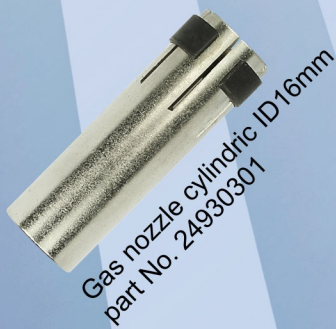
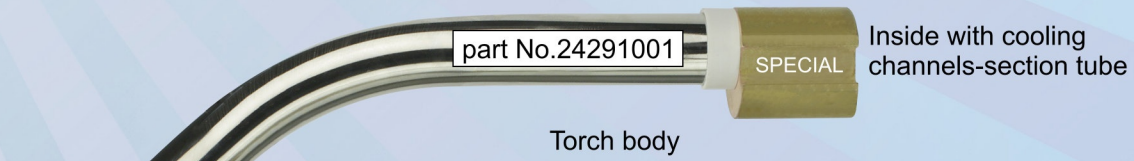


250 Amp./60% duty cycle (CO₂)
220 Amp./60% duty cycle (mixed gas)

Spare parts like:
MHS 240-18-D water-cooled

MHS 24-KD SPEZIAL and MHS 24-KD

gas-cooled

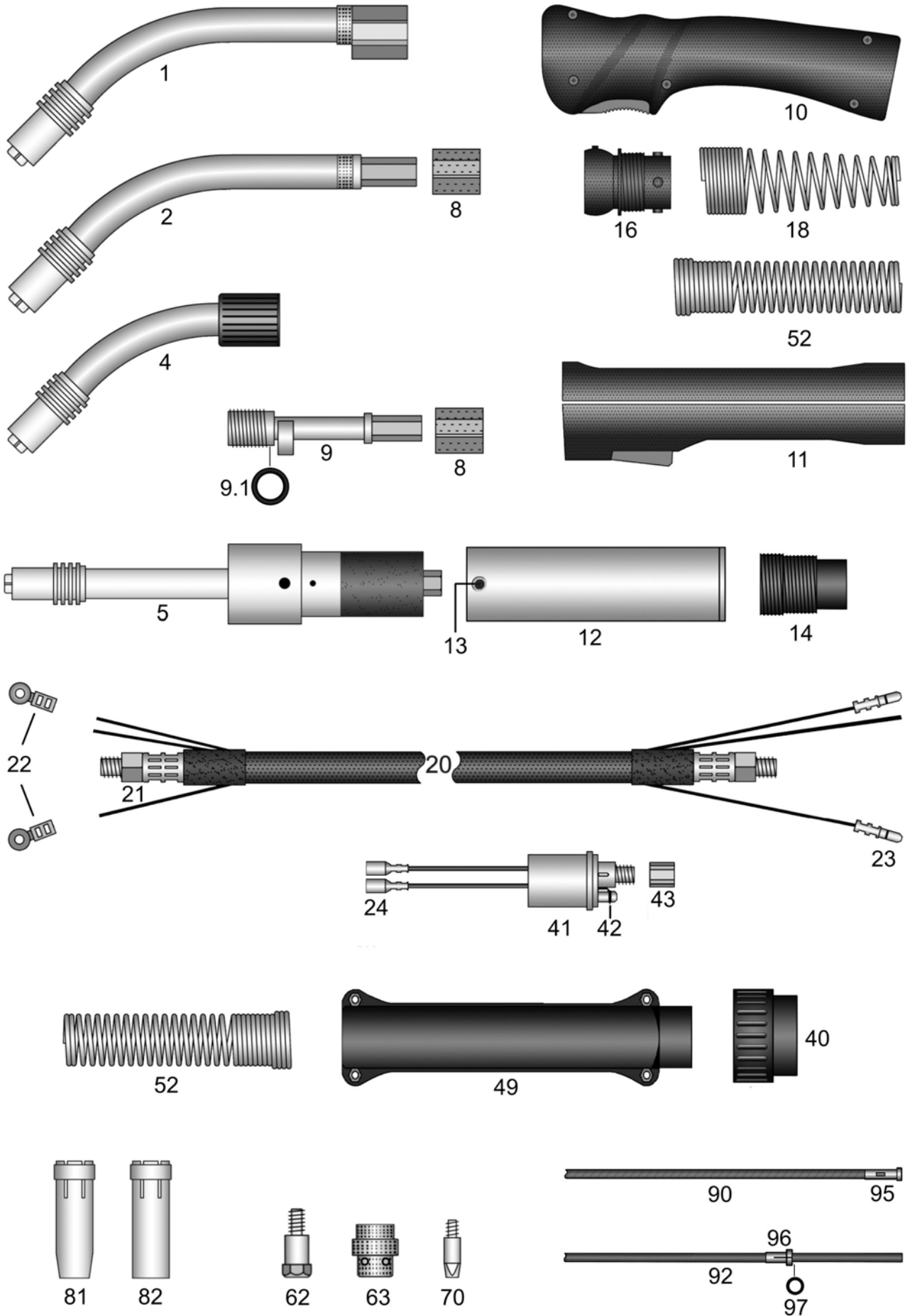


HSN 649



MHS 24-KD gas-cooled

250 Ampere at 60% duty cycle (CO₂) - 220 Ampere at 60% duty cycle (mixed gas)



HSN 118-1

MHS 24-KD

Welding-torch MIG-MAG gas-cooled

250A at 60% duty cycle (CO₂) - 220A at 60% duty cycle (mixed gas)

Art.-No.

Spare parts as torch MHS 240-18-D water-cooled

24200311 Torch MHS 24-KD-SPEZIAL / 3m EURO central adapter 35mm² inner Torch body with cooling-duct section tube

24200411 Torch MHS 24-KD-SPEZIAL / 4m EURO central adapter 35mm² inner Torch body with cooling-duct section tube

24200511 Torch MHS 24-KD-SPEZIAL / 5m EURO central adapter 35mm² inner Torch body with cooling-duct section tube

24200312 Torch MHS 24-KD / 3m EURO central adapter 35mm²

24200412 Torch MHS 24-KD / 4m EURO central adapter 35mm²

24200512 Torch MHS 24-KD / 5m EURO central adapter 35mm²

24210311 DR Torch MHS 24-KD / 3m EURO central adapter 35mm²

24210411 DR Torch MHS 24-KD / 4m EURO central adapter 35mm²

24210511 DR Torch MHS 24-KD / 5m EURO central adapter 35mm²

24250311 AUTomatic-torch MHS 24-KD-SPEZIAL / 3m EURO central adapter 35mm²

24215311 DR AUTomatic-torch MHS-24-KD / 3m EURO central adapter 35mm²

For torches without EURO central-adaptor the following prices apply.

Please note that for some special machine side connections surcharges may arise, which you will find in the appendix "A" custom made products.

24200301 Torch MHS 24-KD-SPEZIAL / 3m 35mm² inner Torch body with cooling-duct section tube

24200401 Torch MHS 24-KD-SPEZIAL / 4m 35mm² inner Torch body with cooling-duct section tube

24200501 Torch MHS 24-KD-SPEZIAL / 5m 35mm² inner Torch body with cooling-duct section tube

24200302 Torch MHS 24-KD / 3m 35mm²

24200402 Torch MHS 24-KD / 4m 35mm²

24200502 Torch MHS 24-KD / 5m 35mm²

24210301 DR Torch MHS 24-KD / 3m 35mm²

24210401 DR Torch MHS 24-KD / 4m 35mm²

24210501 DR Torch MHS 24-KD / 5m 35mm²

24250301 AUTomatic-torch MHS 24-KD-SPEZIAL / 3m 35mm²

24215301 DR AUTomatic-torch MHS-24-KD / 3m 35mm²

Special lengths for hand- and AUTomatic-torches please notice appendix "B".

pg000001 Surcharge: Pistol-shape-handle / stabilizer

N.i. 91912453 Heat protection shield for pistol handle, screws included

29004602 Surcharge: Torch body with custom bending

All torch bodies and AUTomatic torch bodies with teflon insulation, nickel coated brazen outer tube with cooling ribs, complete with contact tip holder and teflon insulator.

1 24291001 Swan neck 24-KD-SPEZIAL

2 24291002 Swan neck 24-KD

4 24219101 DR Swan neck MHS 24-KD

5 24291501 AUTomatic-torch body 24-KD-SPEZIAL

MHS 24-KD

Welding-torch MIG-MAG gas-cooled

250A at 60% duty cycle (CO₂) - 220A at 60% duty cycle (mixed gas)

Art.-No.		
8	15912301	Polyamid-torch body
9	15912602	DR Torch body brass fits ratio handle
9	15912601	DR Torch body brass fits industry-handle
N.i.	15912651	Auxiliary torch body fits coaxial cable
9.1	91903604	O-ring ID19-W2,4mm
Handles, complete with switch, screws and ball joint or sockets! Handles with hole-20mm are for swivel neck torches (DR torches).		
10	91912534	Ratio-handle 16mm with ball joint
10	91912536	Ratio-handle 20mm with ball joint
10	91912434	Ratio-handle 16mm (**without ball joint**)
10	91912436	Ratio-handle 20mm (**without ball joint**)
N.i.	91912438	Ratio microswitch DC2
N.i.	91912439	Push button red for Ratio handle also fits RAUCH handle
N.i.	91912441	Spring fits button Ratio grip handle and RAUCH grip handle
11	91912101	Industry-handle 16mm with ball joint
11	91912103	Industry-handle 20mm with ball joint
11	91912231	Industry-handle 16mm (**without ball joint**)
11	91912431	Industry-handle 20mm (**without ball joint**)
N.i.	91920411	Switch-set fits industry-handle for 16/18/20mm (11 parts)
N.i.	91920702	Screw M3x11,5mm fits Ratio/Industry/RAUCH handle and cable support
N.i.	91920703	M3 mounting socket fits Ratio/Industry/RAUCH handle and cable support
12	91912901	AUT handle tube, brass-cladded AD38mm for AUT-torch rubber cable support
13	91912911	Holding screw M4x6mm for AUT handle tube OD38mm
14	15912801	Rubber cable-support small for coaxial-cable
16	91912704	Spring socket pistol side fits handle with ball joint
18	91912503	Cable support spring handle-side for torches with ball joint
20	25920311	Coaxial-cable 35mm ² / 3m fits EURO central adapter
20	25920411	Coaxial-cable 35mm ² / 4m fits EURO central adapter
20	25920511	Coaxial-cable 35mm ² / 5m fits EURO central adapter
21	15912211	Lock-nut M10x1-L9,5mm for coaxial-cable
22	91902811	Cable-plug fits industry-handle
23	91902901	Male connector cable-plug for machine side EURO central adapter
24	91903001	Female connector cable-plug fits machine side EURO central adapter
40	91900701	Terminal nut insulated fits EURO central adapter
41	91900101	Central adapter fixed contact-pins EURO central adapter
41	91900106	Central adapter spring contact-pins EURO central adapter
42	91900801	O-ring ID4-W1mm fits gas-nipple EURO central adapter
43	91900901	Swivel nut IT-M10x1 (rounded edges) fits EURO central adapter
49	91900561	Cable support machine side (screws included) fits EURO central adapter
N.i.	91920702	Screw M3x11,5mm fits Ratio/Industry/RAUCH handle and cable support
N.i.	91920703	M3 mounting socket fits Ratio/Industry/RAUCH handle and cable support
N.i.	91900601	Attachment screw M4x6mm fits cable support EURO central adapter
52	91912502	Cable support spring fits handles without ball joint and for EURO

MHS 24-KD

Welding-torch MIG-MAG gas-cooled

250A at 60% duty cycle (CO₂) - 220A at 60% duty cycle (mixed gas)

Art.-No.		
62	24980001	Contact tip holder IT-M6 SW10-L26mm (stable break-resistant version)
63	24912001	Gas diffusor Keripol white
63	24912004	HT-gasdiffusor black power
63	24912003	Ceramic-gasdiffusor
70	62808001	Contact tip M6-L28-AD8 0,8
70	62810001	Contact tip M6-L28-AD8 1,0
70	62812001	Contact tip M6-L28-AD8 1,2
70	62814001	Contact tip M6-L28-AD8 1,4
70	62808401	Contact tip M6-L28-AD8 CuCrZr 0,8
70	62810401	Contact tip M6-L28-AD8 CuCrZr 1,0
70	62812401	Contact tip M6-L28-AD8 CuCrZr 1,2
70	62808301	Contact tip M6-L28-AD8 0,8 nickel-plated
70	62810301	Contact tip M6-L28-AD8 1,0 nickel-plated
70	62812301	Contact tip M6-L28-AD8 1,2 nickel-plated
70	62814301	Contact tip M6-L28-AD8 1,4 nickel-plated
70	62808a01	Contact tip M6-L28-D8 0,8-A for aluminium wire
70	62810a01	Contact tip M6-L28-D8 1,0-A for aluminium wire
70	62812a01	Contact tip M6-L28-D8 1,2-A for aluminium wire
81	24930001	Gas nozzle conical-ID12,5mm
82	24930301	Gas nozzle cylindric-ID17mm
Spirals and liners also available in other sizes on inquiry!		
90	15451311	Guide spiral-liner blue ID1,5-AD4,5 fits 3m / EURO central adapter
90	15451411	Guide spiral-liner blue ID1,5-AD4,5 fits 4m / EURO central adapter
90	15451511	Guide spiral-liner blue ID1,5-AD4,5 fits 5m / EURO central adapter
90	20451311	Guide spiral-liner red ID2,0-AD4,5 fits 3m / EURO central adapter
90	20451411	Guide spiral-liner red ID2,0-AD4,5 fits 4m / EURO central adapter
90	20451511	Guide spiral-liner red ID2,0-AD4,5 fits 5m / EURO central adapter
92	20393311	PTFE-carbon core liner ID2,0-AD3,9 fits 3m / EURO central adapter
92	20393411	PTFE-carbon core liner ID2,0-AD3,9 fits 4m / EURO central adapter
92	20393511	PTFE-carbon core liner ID2,0-AD3,9 fits 5m / EURO central adapter
92	20406311	Carbon-PA core liner ID2,0-AD4,0 fits 3m / EURO central adapter
92	20406411	Carbon-PA core liner ID2,0-AD4,0 fits 4m / EURO central adapter
92	20406511	Carbon-PA core liner ID2,0-AD4,0 fits 5m / EURO central adapter
92	20404311	ULTRA-liner (brown) ID2,0-OD4,0 fits 3m / EURO central adapter
92	20404411	ULTRA-liner (brown) ID2,0-OD4,0 fits 4m / EURO central adapter
92	20404511	ULTRA-liner (brown) ID2,0-OD4,0 fits 5m / EURO central adapter
N.i.	20405002	Brass spiral liner (marked blue) ID2,0-OD4,0mm L300mm fits liner OD3,9/4,0mm
N.i.	25405002	Bronze spiral liner (marked blue) ID2,5-OD4,0mm L300mm fits liner OD3,9/4,0mm
95	91905721	Nipple (brass L-30mm) fits spiral liner EURO central adapter AD4,5mm
96	91906111	Nipple fits core liner EURO central adapter AD3,9/4,0mm

MHS 24-KD

Welding-torch MIG-MAG gas-cooled

250A at 60% duty cycle (CO₂) - 220A at 60% duty cycle (mixed gas)

Art.-No.		
97	91906131	O-ring ID3,5-W1,5mm fits core liners
N.i.	91906112	Support tube, brass ID4,4 - AD5,0 - L200mm
Mounting spiral for use with DR Torch Bodies (shorten as needed)		
N.i.	dr193901	Mounting spiral (steel) for DR torches L250mm ID1,9-AD3,9mm complete with slotted outer gas conduit
N.i.	dr253901	Mounting spiral (steel) for DR torches L250mm ID2,5-AD3,9mm complete with slotted outer gas conduit
N.i.	dr204001	Mounting spiral (brass) for DR torches L250mm ID2,0-AD4,0mm complete with slotted outer gas conduit
N.i.	dr254001	Mounting spiral (bronze) for DR torches L250mm ID2,5-AD4,0mm complete with slotted outer gas conduit