

# MHS 15

with plugged gas nozzle  
gas-cooled



180 Amp./60% duty cycle (CO<sub>2</sub>)  
150 Amp./60% duty cycle (mixed gas)

Also available with screwable gas nozzle M10

# MHS 15 with pluggable or screwable gas nozzle gas-cooled

part No. 15009101

Torch body

part No. 15009103

Teflon-insulator  
part No. 15291201

plugged

Narrow-gap gas nozzle ID10mm  
pluggable part No. 15930341  
screwable part No. 15931341

Gas nozzle conical ID12mm  
pluggable part No. 15930001  
screwable part No. 15931001

Gas nozzle cylindrical ID16mm  
pluggable part No. 15930301  
screwable part No. 15931301

Spotweld gas nozzle ID15mm  
pluggable part No. 15930501  
screwable part No. 15931501

Narrow-gap gas nozzle ID10mm  
pluggable part No. 15930351  
screwable part No. 15931351

M10

O-ring ID9-W2,5  
part No. 15089001

Ball joint  
part No. 91912704

Ratio-handle with ball joint  
part No. 91912534

Industry-handle with ball joint  
part No. 91912101

Narrow-gap contact tip M6-L83-AD6 0,8-1,0mm  
part No. 68310101

Socket for centering the narrow-gap contact tip  
part No. 91921801

M9

Gas nozzle/contact tip  
holder compl. with nozzle  
spring, pluggable  
part No. 15298001

M9

Gas nozzle/contact tip  
holder, screwable M10  
part No. 15398001



Nozzle spring for gas nozzle  
part No. 15912901



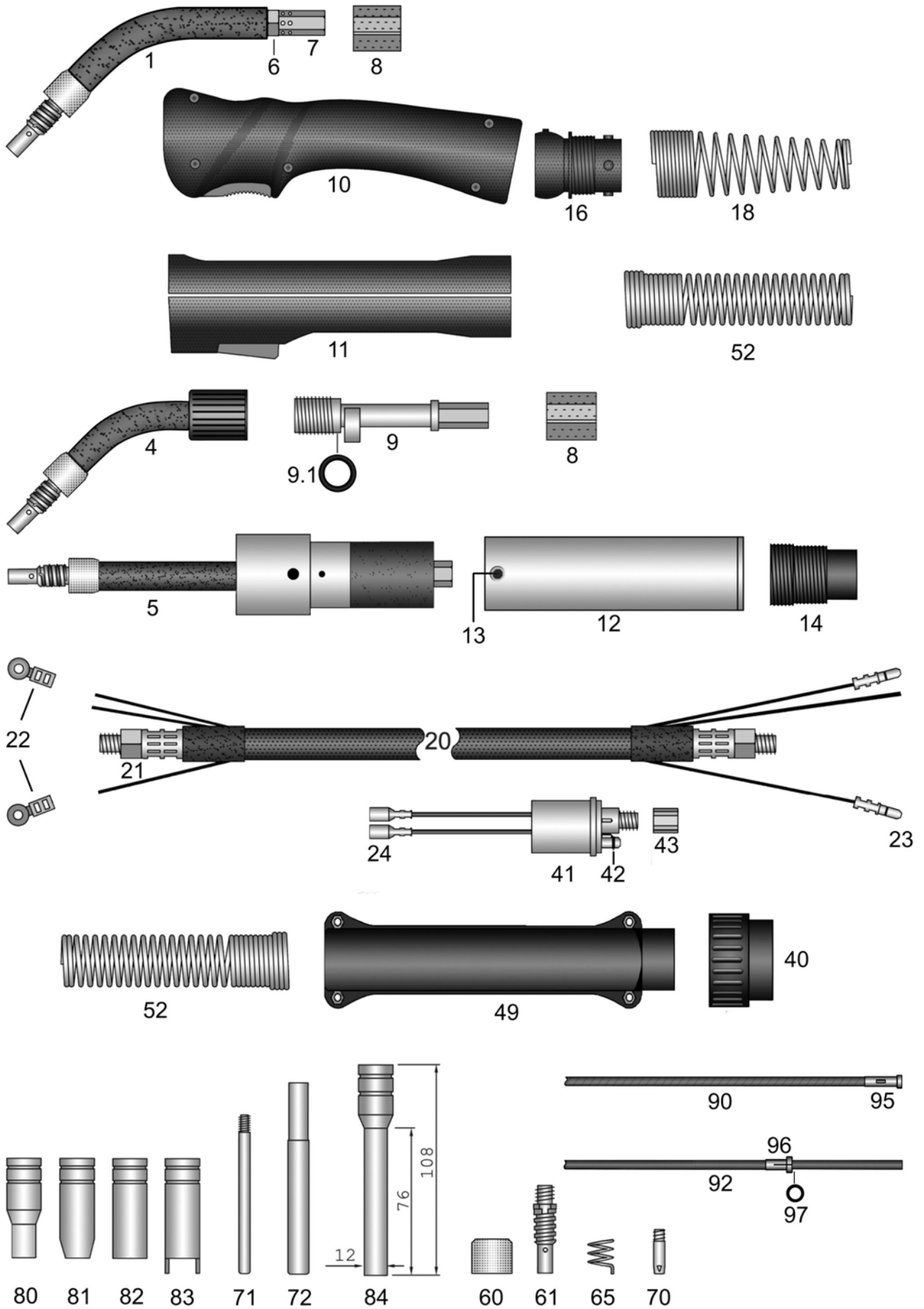
Contact tip M6 x 25  
part No. 625□001  
part No. 625□301(nickel-plated)  
□ Please fill in wire diameter

HSN 646



# MHS 15 gas-cooled

180 Ampere at 60% duty cycle (CO<sub>2</sub>) - 150 Ampere at 60% duty cycle (mixed gas)



HSN 115-1

# MHS 15 with plugged or screwable gas nozzle

## Welding-torch MIG-MAG gas-cooled

180A at 60% duty cycle (CO<sub>2</sub>) - 150A at 60% duty cycle (mixed gas)

Art.-No.	
15500311	Torch MHS 15 / 3m EURO central adapter 16mm <sup>2</sup> plugged
15500411	Torch MHS 15 / 4m EURO central adapter 16mm <sup>2</sup> plugged
15500511	Torch MHS 15 / 5m EURO central adapter 16mm <sup>2</sup> plugged
15000311	Torch MHS 15-SPEZIAL / 3m EURO central adapter 25mm <sup>2</sup> plugged
15000411	Torch MHS 15-SPEZIAL / 4m EURO central adapter 25mm <sup>2</sup> plugged
15000511	Torch MHS 15-SPEZIAL / 5m EURO central adapter 25mm <sup>2</sup> plugged
15100311	DR Torch MHS 15-SPEZIAL / 3m EURO central adapter 25mm <sup>2</sup> plugged
15100411	DR Torch MHS 15-SPEZIAL / 4m EURO central adapter 25mm <sup>2</sup> plugged
15100511	DR Torch MHS 15-SPEZIAL / 5m EURO central adapter 25mm <sup>2</sup> plugged
15005311	AUTomatic-torch MHS 15-SPEZIAL / 3m EURO central adapter 25mm <sup>2</sup> plugged
15105311	DR AUTomatic-torch MHS 15-SPEZIAL / 3m EURO central adapter 25mm <sup>2</sup> plugged
15500313	Torch MHS 15 / 3m EURO central adapter 16mm <sup>2</sup> screwable M10
15500413	Torch MHS 15 / 4m EURO central adapter 16mm <sup>2</sup> screwable M10
15500513	Torch MHS 15 / 5m EURO central adapter 16mm <sup>2</sup> screwable M10
15000313	Torch MHS 15-SPEZIAL / 3m EURO central adapter 25mm <sup>2</sup> screwable M10
15000413	Torch MHS 15-SPEZIAL / 4m EURO central adapter 25mm <sup>2</sup> screwable M10
15000513	Torch MHS 15-SPEZIAL / 5m EURO central adapter 25mm <sup>2</sup> screwable M10
15100313	DR Torch MHS 15-SPEZIAL / 3m EURO central adapter 25mm <sup>2</sup> screwable M10
15100413	DR Torch MHS 15-SPEZIAL / 4m EURO central adapter 25mm <sup>2</sup> screwable M10
15100513	DR Torch MHS 15-SPEZIAL / 5m EURO central adapter 25mm <sup>2</sup> screwable M10
15005312	AUTomatic-torch MHS 15-SPEZIAL / 3m EURO central adapter 25mm <sup>2</sup> screwable M10
15105312	DR AUTomatic-torch MHS 15-SPEZIAL / 3m EURO central adapter 25mm <sup>2</sup> screwable M10
<b>For torches without EURO central-adapter the following prices apply. Please note that for some special machine side connections surcharges may arise, which you will find in the appendix "A" custom made products.</b>	
15500301	Torch MHS 15 / 3m 16mm <sup>2</sup> plugged
15500401	Torch MHS 15 / 4m 16mm <sup>2</sup> plugged
15500501	Torch MHS 15 / 5m 16mm <sup>2</sup> plugged
15000301	Torch MHS 15-SPEZIAL / 3m 25mm <sup>2</sup> plugged
15000401	Torch MHS 15-SPEZIAL / 4m 25mm <sup>2</sup> plugged
15000501	Torch MHS 15-SPEZIAL / 5m 25mm <sup>2</sup> plugged
15100301	DR Torch MHS 15-SPEZIAL / 3m 25mm <sup>2</sup> plugged
15100401	DR Torch MHS 15-SPEZIAL / 4m 25mm <sup>2</sup> plugged
15100501	DR Torch MHS 15-SPEZIAL / 5m 25mm <sup>2</sup> plugged
15005301	AUTomatic-torch MHS 15-SPEZIAL / 3m 25mm <sup>2</sup> plugged
15105301	DR AUTomatic-torch MHS 15-SPEZIAL / 3m 25mm <sup>2</sup> plugged
15500302	Torch MHS 15 / 3m 16mm <sup>2</sup> screwable M10
15500402	Torch MHS 15 / 4m 16mm <sup>2</sup> screwable M10

# MHS 15 with plugged or screwable gas nozzle

## Welding-torch MIG-MAG gas-cooled

180A at 60% duty cycle (CO<sub>2</sub>) - 150A at 60% duty cycle (mixed gas)

<b>Art.-No.</b>		
15500502	Torch MHS 15 / 5m 16mm <sup>2</sup> screwable M10	
15000302	Torch MHS 15-SPEZIAL / 3m 25mm <sup>2</sup> screwable M10	
15000402	Torch MHS 15-SPEZIAL / 4m 25mm <sup>2</sup> screwable M10	
15000502	Torch MHS 15-SPEZIAL / 5m 25mm <sup>2</sup> screwable M10	
15100302	DR Torch MHS 15-SPEZIAL / 3m 25mm <sup>2</sup> screwable M10	
15100402	DR Torch MHS 15-SPEZIAL / 4m 25mm <sup>2</sup> screwable M10	
15100502	DR Torch MHS 15-SPEZIAL / 5m 25mm <sup>2</sup> screwable M10	
15005302	AUTomatic-torch MHS 15-SPEZIAL / 3m 25mm <sup>2</sup> screwable M10	
15105302	DR AUTomatic-torch MHS 15-SPEZIAL / 3m 25mm <sup>2</sup> screwable M10	
<b>Special lengths for hand- and AUTomatic-torches please notice appendix "B".</b>		
pg000001	Surcharge: Pistol-shape-handle / stabilizer	
N.i. 91912453	Heat protection shield for pistol handle, screws included	
29004602	Surcharge: Torch body with custom bending	
<b>All torch bodies and AUTomatic torch bodies with rubber insulation, very massive power conduit, complete with contact tip holder and teflon insulator.</b>		
1	15009101	Swan neck 15 plugged
4	15109101	DR Swan neck MHS 15 plugged
5	15009151	AUTomatic-torch body 15 plugged
N.i.	15009103	Swan neck 15 screwable M10
N.i.	15109102	DR Swan neck MHS 15 screwable M10
N.i.	15009153	AUTomatic-torch body 15 screwable M10
6	15912201	Lock-nut M10x1-L6mm for swan neck
7	15912401	Torch body brass SW12-L26mm
8	15912301	Polyamid-torch body
9	15912602	DR Torch body brass fits ratio handle
9	15912601	DR Torch body brass fits industry-handle
N.i.	15912651	Auxiliary torch body fits coaxial cable
9.1	91903604	O-ring ID19-W2,4mm
<b>Handles, complete with switch, screws and ball joint or sockets! Handles with hole-20mm are for swivel neck torches (DR torches).</b>		
10	91912534	Ratio-handle 16mm with ball joint
10	91912536	Ratio-handle 20mm with ball joint
10	91912434	Ratio-handle 16mm (**without ball joint**)
10	91912436	Ratio-handle 20mm (**without ball joint**)
N.i.	91912438	Ratio microswitch DC2
N.i.	91912439	Push button red for Ratio handle also fits RAUCH handle
N.i.	91912441	Spring fits button Ratio grip handle and RAUCH grip handle
11	91912101	Industry-handle 16mm with ball joint
11	91912103	Industry-handle 20mm with ball joint
11	91912231	Industry-handle 16mm (**without ball joint**)
11	91912431	Industry-handle 20mm (**without ball joint**)

## MHS 15 with plugged or screwable gas nozzle

### Welding-torch MIG-MAG gas-cooled

180A at 60% duty cycle (CO<sub>2</sub>) - 150A at 60% duty cycle (mixed gas)

Art.-No.		
N.i.	91920411	Switch-set fits industry-handle for 16/18/20mm (11 parts)
N.i.	91920702	Screw M3x11,5mm fits Ratio/Industry/RAUCH handle and cable support
N.i.	91920703	M3 mounting socket fits Ratio/Industry/RAUCH handle and cable support
12	91912901	AUT handle tube, brass-cladded AD38mm for AUT-torch rubber cable support
13	91912911	Holding screw M4x6mm for AUT handle tube OD38mm
14	15912801	Rubber cable-support small for coaxial-cable
16	91912704	Spring socket pistol side fits handle with ball joint
18	91912503	Cable support spring handle-side for torches with ball joint
20	14920311	Coaxial-cable 16mm <sup>2</sup> / 3m fits EURO central adapter
20	14920411	Coaxial-cable 16mm <sup>2</sup> / 4m fits EURO central adapter
20	14920511	Coaxial-cable 16 mm <sup>2</sup> / 5m fits EURO central adapter
20	15920311	Coaxial-cable 25mm <sup>2</sup> / 3m fits EURO central adapter
20	15920411	Coaxial-cable 25mm <sup>2</sup> / 4m fits EURO central adapter
20	15920511	Coaxial-cable 25mm <sup>2</sup> / 5m fits EURO central adapter
21	15912211	Lock-nut M10x1-L9,5mm for coaxial-cable
22	91902811	Cable-plug fits industry-handle
23	91902901	Male connector cable-plug for machine side EURO central adapter
24	91903001	Female connector cable-plug fits machine side EURO central adapter
40	91900701	Terminal nut insulated fits EURO central adapter
41	91900101	Central adapter fixed contact-pins EURO central adapter
41	91900106	Central adapter spring contact-pins EURO central adapter
42	91900801	O-ring ID4-W1mm fits gas-nipple EURO central adapter
43	91900901	Swivel nut IT-M10x1 (rounded edges) fits EURO central adapter
49	91900561	Cable support machine side (screws included) fits EURO central adapter
N.i.	91920702	Screw M3x11,5mm fits Ratio/Industry/RAUCH handle and cable support
N.i.	91920703	M3 mounting socket fits Ratio/Industry/RAUCH handle and cable support
N.i.	91900601	Attachment screw M4x6mm fits cable support EURO central adapter
52	91912502	Cable support spring fits handles without ball joint and for EURO
60	15291201	Teflon protection sleeve ID16mm
61	15298001	Gas nozzle/contact tip holder complete with nozzle spring
N.i.	15398001	Gas nozzle/contact tip holder screwable M10 nickel plated
65	15912901	Nozzle spring for gas nozzle
70	62508001	Contact tip M6-L25-AD6 0,8
70	62510001	Contact tip M6-L25-AD6 1,0
70	62508301	Contact tip M6-L25-AD6 0,8 nickel-plated
70	62510301	Contact tip M6-L25-AD6 1,0 nickel-plated
71	68310101	Narrow-gap contact tip M6-L83-AD6 0,8-1,0 nickel-plated
72	91921801	Narrow-gap centering wrench for contact tip M6-L83-D6mm
80	15930341	Narrow-gap gas nozzle with cylinder ID10-L21mm plugged
80	15931341	Narrow-gap gas nozzle with cylinder ID10-L21mm screwable M10

# MHS 15 with plugged or screwable gas nozzle

## Welding-torch MIG-MAG gas-cooled

180A at 60% duty cycle (CO<sub>2</sub>) - 150A at 60% duty cycle (mixed gas)

<b>Art.-No.</b>		
81	15930001	Gas nozzle conical-ID12mm long insulation plugged
81	15931001	Gas nozzle conical-ID12mm long insulation screwable M10
82	15930301	Gas nozzle cylindric-ID16mm long insulation plugged
82	15931301	Gas nozzle cylindric-ID16mm long insulation screwable M10
83	15930501	Spotweld gas nozzle plugged
83	15931501	Spotweld gas nozzle screwable M10
84	15930351	Narrow-gap gas nozzle with cylinder ID10-L76mm plugged
84	15931351	Narrow-gap gas nozzle with cylinder ID10-L76mm screwable M10
<b>Spirals and liners also available in other sizes on inquiry!</b>		
90	15451311	Guide spiral-liner blue ID1,5-AD4,5 fits 3m / EURO central adapter
90	15451411	Guide spiral-liner blue ID1,5-AD4,5 fits 4m / EURO central adapter
90	15451511	Guide spiral-liner blue ID1,5-AD4,5 fits 5m / EURO central adapter
90	20451311	Guide spiral-liner red ID2,0-AD4,5 fits 3m / EURO central adapter
90	20451411	Guide spiral-liner red ID2,0-AD4,5 fits 4m / EURO central adapter
90	20451511	Guide spiral-liner red ID2,0-AD4,5 fits 5m / EURO central adapter
92	20393311	PTFE-carbon core liner ID2,0-AD3,9 fits 3m / EURO central adapter
92	20393411	PTFE-carbon core liner ID2,0-AD3,9 fits 4m / EURO central adapter
92	20393511	PTFE-carbon core liner ID2,0-AD3,9 fits 5m / EURO central adapter
92	20406311	Carbon-PA core liner ID2,0-AD4,0 fits 3m / EURO central adapter
92	20406411	Carbon-PA core liner ID2,0-AD4,0 fits 4m / EURO central adapter
92	20406511	Carbon-PA core liner ID2,0-AD4,0 fits 5m / EURO central adapter
92	20404311	ULTRA-liner (brown) ID2,0-OD4,0 fits 3m / EURO central adapter
92	20404411	ULTRA-liner (brown) ID2,0-OD4,0 fits 4m / EURO central adapter
92	20404511	ULTRA-liner (brown) ID2,0-OD4,0 fits 5m / EURO central adapter
N.i.	20405002	Brass spiral liner (marked blue) ID2,0-OD4,0mm L300mm fits liner OD3,9/4,0mm
N.i.	25405002	Bronze spiral liner (marked blue) ID2,5-OD4,0mm L300mm fits liner OD3,9/4,0mm
95	91905721	Nipple (brass L-30mm) fits spiral liner EURO central adapter AD4,5mm
96	91906111	Nipple fits core liner EURO central adapter AD3,9/4,0mm
97	91906131	O-ring ID3,5-W1,5mm fits core liners
N.i.	91906112	Support tube, brass ID4,4 - AD5,0 - L200mm
<b>Mounting spiral for use with DR Torch Bodies (shorten as needed)</b>		
N.i.	dr193901	Mounting spiral (steel) for DR torches L250mm ID1,9-AD3,9mm complete with slotted outer gas conduit
N.i.	dr253901	Mounting spiral (steel) for DR torches L250mm ID2,5-AD3,9mm complete with slotted outer gas conduit
N.i.	dr204001	Mounting spiral (brass) for DR torches L250mm ID2,0-AD4,0mm complete with slotted outer gas conduit
N.i.	dr254001	Mounting spiral (bronze) for DR torches L250mm ID2,5-AD4,0mm complete with slotted outer gas conduit