

MHS 15-CLOU

with screwable gas nozzle
gas-cooled



180 Amp./60% duty cycle (CO₂)
150 Amp./60% duty cycle (mixed gas)

Spare parts like:

MHS MINI-316 water-cooled

MHS 15-CLOU with screwable nozzle M11 gas-cooled

part No. 16009101

Torch body

Teflon-insulator ID16mm
part No. 15291201

Narrow-gap gas nozzle ID10mm
part No. 16093341

Gas nozzle conical ID12mm
part No. 16093301

Gas nozzle cylindrical ID16mm
part No. 16093301

Spotweld gas nozzle ID15mm
part No. 16093351

Narrow-gap gas nozzle ID10mm
part No. 16093351

M11



Ball joint
part No. 91912704



Ratio-handle with ball joint
part No. 91912534



Industry-handle with ball joint
part No. 91912101

Narrow-gap contact tip M6-L83-AD6 0,8-1,0mm
part No. 68310101

Socket for centering the narrow-gap contact tip
part No. 91921801

Gas nozzle/contact tip
holder, screwable M11
part No. 16098001

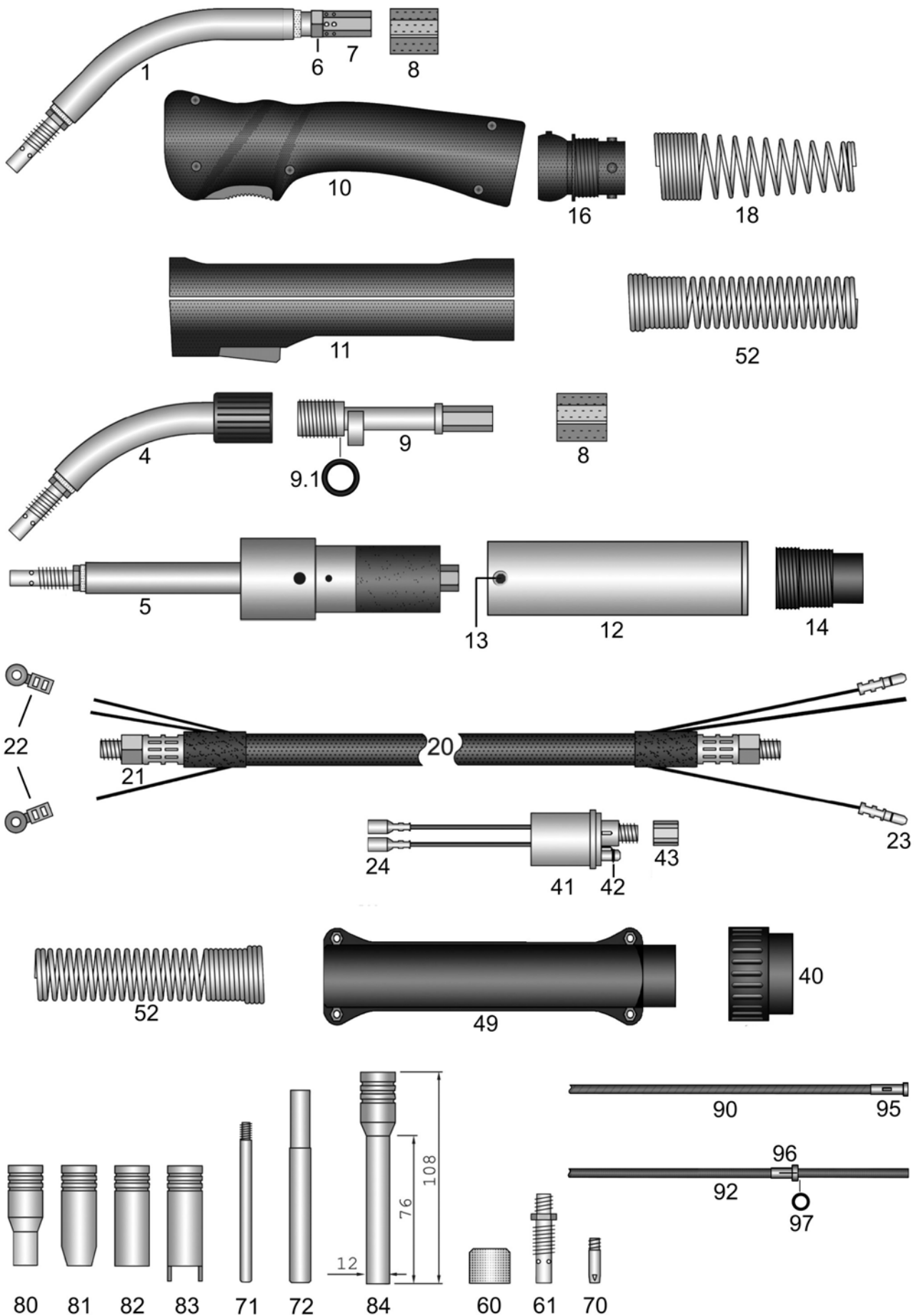
Contact tip M6 x 25
part No. 625□ 001
part No. 625□ 301 (nickel-plated)
□ Please fill in wire diameter

HSN 648



MHS 15-Clou gas-cooled

180 Ampere at 60% duty cycle (CO₂) - 150 Ampere at 60% duty cycle (mixed gas)



HSN 116-1

MHS 15-CLOU with screwable nozzle M11

Welding-torch MIG-MAG gas-cooled

180A at 60% duty cycle (CO₂) - 150A at 60% duty cycle (mixed gas)

Art.-No.

Spare parts as torch MHS Mini 316 water-cooled

16000311 Torch MHS 15-CLOU / 3m EURO central adapter 25mm² screwable M11

16000411 Torch MHS 15-CLOU / 4m EURO central adapter 25mm² screwable M11

16000511 Torch MHS 15-CLOU / 5m EURO central adapter 25mm² screwable M11

16010311 DR Torch MHS 15-CLOU / 3m EURO central adapter 25mm² screwable M11

16010411 DR Torch MHS 15-CLOU / 4m EURO central adapter 25mm² screwable M11

16010511 DR Torch MHS 15-CLOU / 5m EURO central adapter 25mm² screwable M11

16005311 AUTomatic-torch MHS 15-CLOU / 3m EURO central adapter 25mm² screwable M11

16015311 DR AUTomatic-torch MHS 15-CLOU / 3m EURO central adapter 25mm² screwable M11

**For torches without EURO central-adaptor the following prices apply.
Please note that for some special machine side connections surcharges may arise,
which you will find in the appendix "A" custom made products.**

16000301 Torch MHS 15-CLOU / 3m 25mm² screwable M11

16000401 Torch MHS 15-CLOU / 4m 25mm² screwable M11

16000501 Torch MHS 15-CLOU / 5m 25mm² screwable M11

16010301 DR Torch MHS 15-CLOU / 3m 25mm² screwable M11

16010401 DR Torch MHS 15-CLOU / 4m 25mm² screwable M11

16010501 DR Torch MHS 15-CLOU / 5m 25mm² screwable M11

16005301 AUTomatic-torch MHS 15-CLOU / 3m 25mm² screwable M11

16015301 DR AUTomatic-torch MHS 15-CLOU / 3m 25mm² screwable M11

**Special lengths for hand- and AUTomatic-torches
please notice appendix "B".**

pg000001 Surcharge: Pistol-shape-handle / stabilizer

N.i. 91912453 Heat protection shield for pistol handle, screws included

29004602 Surcharge: Torch body with custom bending

**All torch bodies and AUTomatic torch bodies with teflon insulation,
nickel coated brazen outer tube, very massive power conduit,
complete with contact tip holder and teflon insulator.**

1 16009101 Swan neck screwable M11

4 16019101 DR Swan neck MHS 15-CLOU screwable M11

5 16009151 AUTomatic-torch body screwable M11

6 15912201 Lock-nut M10x1-L6mm for swan neck

7 15912401 Torch body brass SW12-L26mm

8 15912301 Polyamid-torch body

9 15912602 DR Torch body brass fits ratio handle

9 15912601 DR Torch body brass fits industry-handle

N.i. 15912651 Auxiliary torch body fits coaxial cable

9.1 91903604 O-ring ID19-W2,4mm

**Handles, complete with switch, screws and ball joint or sockets!
Handles with hole-20mm are for swivel neck torches (DR torches).**

10 91912534 Ratio-handle 16mm with ball joint

MHS 15-CLOU with screwable nozzle M11

Welding-torch MIG-MAG gas-cooled

180A at 60% duty cycle (CO₂) - 150A at 60% duty cycle (mixed gas)

Art.-No.		
10	91912536	Ratio-handle 20mm with ball joint
10	91912434	Ratio-handle 16mm (**without ball joint**)
10	91912436	Ratio-handle 20mm (**without ball joint**)
N.i.	91912438	Ratio microswitch DC2
N.i.	91912439	Push button red for Ratio handle also fits RAUCH handle
N.i.	91912441	Spring fits button Ratio grip handle and RAUCH grip handle
11	91912101	Industry-handle 16mm with ball joint
11	91912103	Industry-handle 20mm with ball joint
11	91912231	Industry-handle 16mm (**without ball joint**)
11	91912431	Industry-handle 20mm (**without ball joint**)
N.i.	91920411	Switch-set fits industry-handle for 16/18/20mm (11 parts)
N.i.	91920702	Screw M3x11,5mm fits Ratio/Industry/RAUCH handle and cable support
N.i.	91920703	M3 mounting socket fits Ratio/Industry/RAUCH handle and cable support
12	91912901	AUT handle tube, brass-cladded AD38mm for AUT-torch rubber cable support
13	91912911	Holding screw M4x6mm for AUT handle tube OD38mm
14	15912801	Rubber cable-support small for coaxial-cable
16	91912704	Spring socket pistol side fits handle with ball joint
18	91912503	Cable support spring handle-side for torches with ball joint
20	15920311	Coaxial-cable 25mm ² / 3m fits EURO central adapter
20	15920411	Coaxial-cable 25mm ² / 4m fits EURO central adapter
20	15920511	Coaxial-cable 25mm ² / 5m fits EURO central adapter
21	15912211	Lock-nut M10x1-L9,5mm for coaxial-cable
22	91902811	Cable-plug fits industry-handle
23	91902901	Male connector cable-plug for machine side EURO central adapter
24	91903001	Female connector cable-plug fits machine side EURO central adapter
40	91900701	Terminal nut insulated fits EURO central adapter
41	91900101	Central adapter fixed contact-pins EURO central adapter
41	91900106	Central adapter spring contact-pins EURO central adapter
42	91900801	O-ring ID4-W1mm fits gas-nipple EURO central adapter
43	91900901	Swivel nut IT-M10x1 (rounded edges) fits EURO central adapter
49	91900561	Cable support machine side (screws included) fits EURO central adapter
N.i.	91920702	Screw M3x11,5mm fits Ratio/Industry/RAUCH handle and cable support
N.i.	91920703	M3 mounting socket fits Ratio/Industry/RAUCH handle and cable support
N.i.	91900601	Attachment screw M4x6mm fits cable support EURO central adapter
52	91912502	Cable support spring fits handles without ball joint and for EURO
60	15291201	Teflon protection sleeve ID16mm
61	16098001	Contact-tip/nozzle holder fits screwable gas nozzle-M11
70	62508001	Contact tip M6-L25-AD6 0,8
70	62510001	Contact tip M6-L25-AD6 1,0
70	62508301	Contact tip M6-L25-AD6 0,8 nickel-plated
70	62510301	Contact tip M6-L25-AD6 1,0 nickel-plated
71	68310101	Narrow-gap contact tip M6-L83-AD6 0,8-1,0 nickel-plated
72	91921801	Narrow-gap centering wrench for contact tip M6-L83-D6mm

MHS 15-CLOU with screwable nozzle M11

Welding-torch MIG-MAG gas-cooled

180A at 60% duty cycle (CO₂) - 150A at 60% duty cycle (mixed gas)

Art.-No.		
80	16093341	Narrow-gap gas nozzle screwable M11 with cylinder ID10-L21mm
81	16093001	Gas nozzle conical-ID12mm long insulation screwable M11
82	16093301	Gas nozzle cylindric-ID16mm long insulation screwable M11
83	16093501	Spotweld gas nozzle screwable M11
84	16093351	Narrow-gap gas nozzle screwable M11 with cylinder ID10-L76mm
Spirals and liners also available in other sizes on inquiry!		
90	15451311	Guide spiral-liner blue ID1,5-AD4,5 fits 3m / EURO central adapter
90	15451411	Guide spiral-liner blue ID1,5-AD4,5 fits 4m / EURO central adapter
90	15451511	Guide spiral-liner blue ID1,5-AD4,5 fits 5m / EURO central adapter
90	20451311	Guide spiral-liner red ID2,0-AD4,5 fits 3m / EURO central adapter
90	20451411	Guide spiral-liner red ID2,0-AD4,5 fits 4m / EURO central adapter
90	20451511	Guide spiral-liner red ID2,0-AD4,5 fits 5m / EURO central adapter
92	20393311	PTFE-carbon core liner ID2,0-AD3,9 fits 3m / EURO central adapter
92	20393411	PTFE-carbon core liner ID2,0-AD3,9 fits 4m / EURO central adapter
92	20393511	PTFE-carbon core liner ID2,0-AD3,9 fits 5m / EURO central adapter
92	20406311	Carbon-PA core liner ID2,0-AD4,0 fits 3m / EURO central adapter
92	20406411	Carbon-PA core liner ID2,0-AD4,0 fits 4m / EURO central adapter
92	20406511	Carbon-PA core liner ID2,0-AD4,0 fits 5m / EURO central adapter
92	20404311	ULTRA-liner (brown) ID2,0-OD4,0 fits 3m / EURO central adapter
92	20404411	ULTRA-liner (brown) ID2,0-OD4,0 fits 4m / EURO central adapter
92	20404511	ULTRA-liner (brown) ID2,0-OD4,0 fits 5m / EURO central adapter
N.i.	20405002	Brass spiral liner (marked blue) ID2,0-OD4,0mm L300mm fits liner OD3,9/4,0mm
N.i.	25405002	Bronze spiral liner (marked blue) ID2,5-OD4,0mm L300mm fits liner OD3,9/4,0mm
95	91905721	Nipple (brass L-30mm) fits spiral liner EURO central adapter AD4,5mm
96	91906111	Nipple fits core liner EURO central adapter AD3,9/4,0mm
97	91906131	O-ring ID3,5-W1,5mm fits core liners
N.i.	91906112	Support tube, brass ID4,4 - AD5,0 - L200mm
Mounting spiral for use with DR Torch Bodies (shorten as needed)		
N.i.	dr193901	Mounting spiral (steel) for DR torches L250mm ID1,9-AD3,9mm complete with slotted outer gas conduit
N.i.	dr253901	Mounting spiral (steel) for DR torches L250mm ID2,5-AD3,9mm complete with slotted outer gas conduit
N.i.	dr204001	Mounting spiral (brass) for DR torches L250mm ID2,0-AD4,0mm complete with slotted outer gas conduit
N.i.	dr254001	Mounting spiral (bronze) for DR torches L250mm ID2,5-AD4,0mm complete with slotted outer gas conduit